

# BEAM



LINEAR BEAM MOUNT PRJ-BEAM



## POWER

## PROFILE / LUMINOUS FLUX



**60W** 60W / metre

**SC** · 3000 lm / metre

**SD** · 2100 lm / metre

**UG** · 2100 lm / metre

## COLOUR TEMPERATURE

2700K

3000K

3200K

4000K

5000K

## COLOURS

Blue

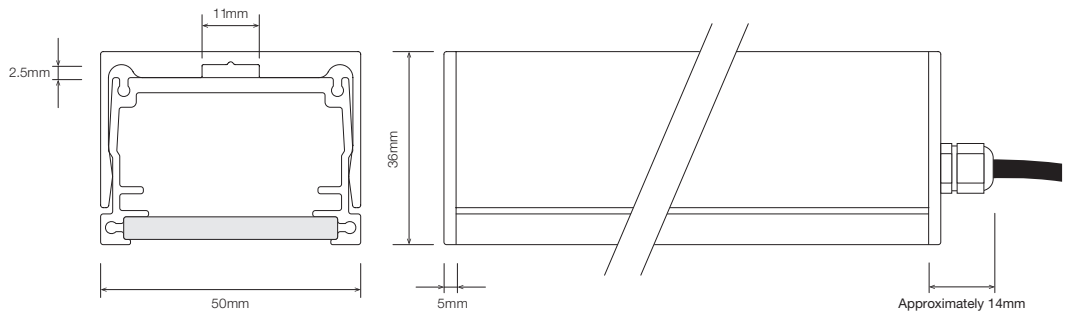
Green

Red

Amber

## DIMENSIONS

SC Standard Profile



## ORDERING EXAMPLE

PRJ-BEAM	3.0K	S2	O209	SC	BLK	WR2.1OS	WB	IP65
TYPE	CCT	SEGMENTS	OPTICS	DIFFUSER	PROFILE COLOUR	WIRING CONFIG.	WIRING POSITION	IP RATING

### COLOUR TEMPERATURE

- 2.7K 2700K
- 3.0K 3000K
- 3.2K 3200K
- 4.0K 4000K
- 5.0K 5000K

### PRODUCT LENGTH

- Length as per Site Measurements
- Length:
- Undefined

\* Custom colours available on request

### OPTICS

- L07 14° Beam
- L25 50° Beam
- F5010 Flare 100° x 20° Beam
- O209 Oval 40° x 18° Beam
- NOP No Optics UG

### DIFFUSER

- SC Standard Clear
- SD Standard Diffused
- UG Uniform Glow UG

### PROFILE COLOUR

- BLK Black (Standard)
- WHT White
- CST Custom Colour \*

### WIRING CONFIGURATION

- WR2.1OS Wire 2+1 Core One Side
- OC2.1MO Outdoor Connector 3pin Male Only
- SMPLC.1 Sample Type Connector 2.5mm

### WIRING POSITING

- WB Wire from Back
- WS Wire from Side

### IP RATING

- IP40 Indoor Use
- IP65 Outdoor Use