

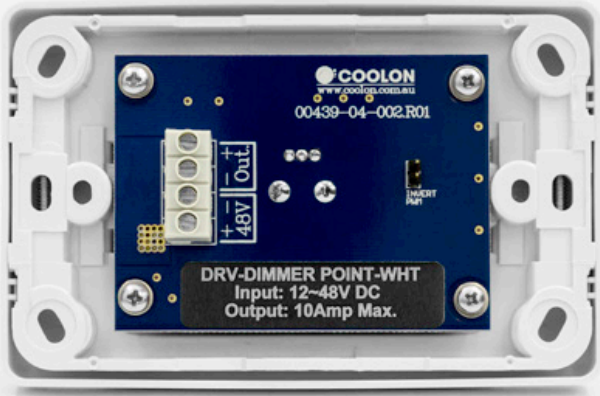


# DIMMER POINT

Rotary Wall-Mount LED Driver

Coolon Dimmer Point is the simplest rotary wall-mount LED dimmer for architectural applications. Designed to control a wide range of constant voltage LED luminaires with smooth dimming in a convenient small package that fits standard electrical face plates.





## COMPACT

Dimmer Point driver is designed to suit most indoor LED applications. A compact design allows it to be installed as a standard electrical faceplate.

## RELIABLE

Coolon LED drivers are designed and built to the highest standards and offer high-performance, reliability and efficiency supported by our 3 years standard warranty or up to 5 years extensive warranty.



## SIMPLE

Easy wiring using screw terminals, making on-site installations free of specialized tools or crimping.

## CONVENIENT

It will turn a wide variety of LED luminaires into a remote dimmable fitting using a smooth rotary knob. Compact yet highly capable, Dimmer Point drives up to a 10 Amp load.

■ TECHNICAL SPECIFICATIONS

|                       |   |
|-----------------------|---|
| Product Code          | DRV-DIMMERPOINT-1X10A   |
| Description           | Rotary Wall-Mount LED Driver  |
| Device Type           | Rotary potentiometer input, open drain constant voltage output (suitable for constant voltage LED Lights without dedicated brightness control line) |
| Solid State Output    | MOSFET, Open drain configuration  |
| PWM Frequency         | 305 Hz  |
| Dimming Range         | 1 – 100%  |
| Load / Supply Voltage | 12 – 48VDC  |
| Power Consumption     | 0.25W   |
| Load Voltage          | 24 – 48VDC  |
| Max Load Current      | 10A   |
| Enclosure             | Plastic Enclosure (fully isolated)  |
| IP Rating             | IP20  |
| Working Temperature   | -10 to +50°C  |
| Connection            | Screw Terminals   |

■ APPLICATIONS

Dimmer Point can be used to remotely control a variety of Coolon LED luminaires, yet is also suitable for most constant voltage LED products. Most popular applications are:

|                        |          |                     |
|------------------------|----------|---------------------|
| Architectural Lighting | Ceilings | Commercial Lighting |
| Coves                  | Offices  |                     |

■ COMPATIBILITY

Suitable to use with the following Coolon Products:

|       |         |             |
|-------|---------|-------------|
| Alto  | Aris UG | Max Mini UG |
| Multo | Slim    |             |

■ FEATURES



Protected against solid objects greater than 12mm. No Protection against liquids.

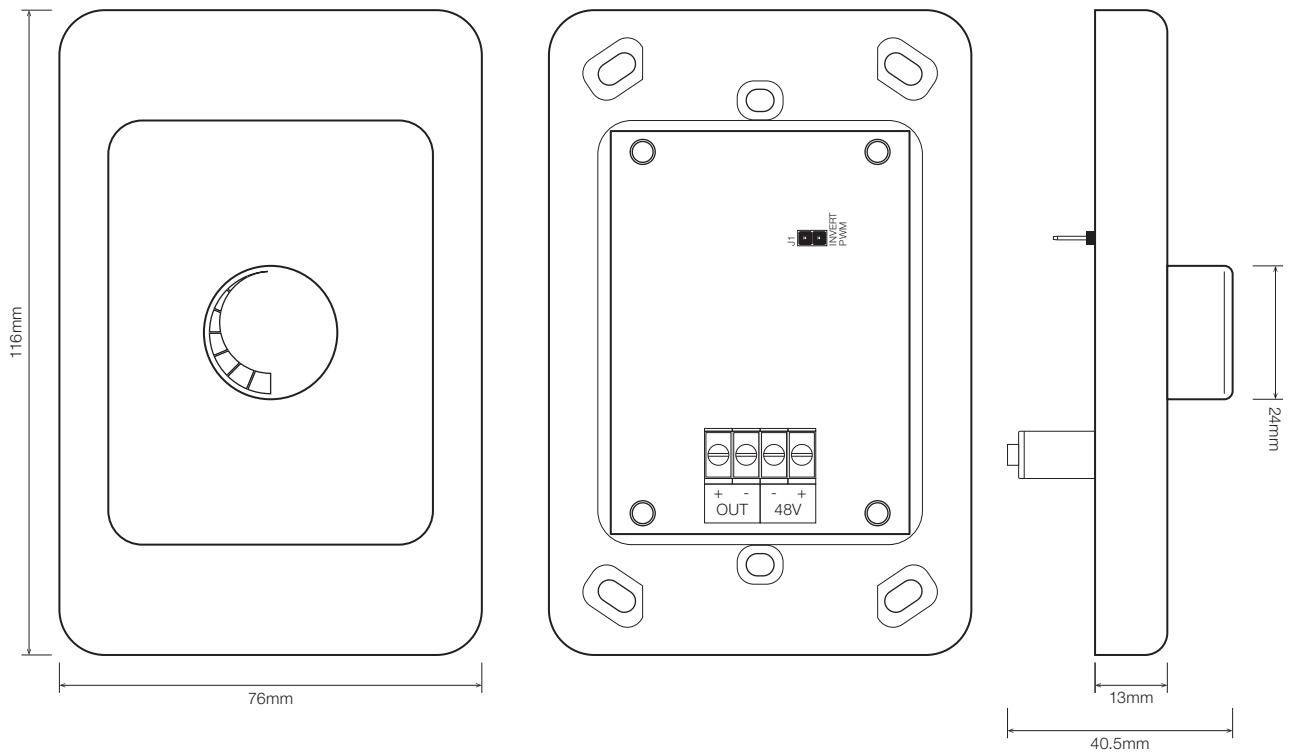


Coolon Controllers are covered by a solid comprehensible 3 year manufacturer's warranty.

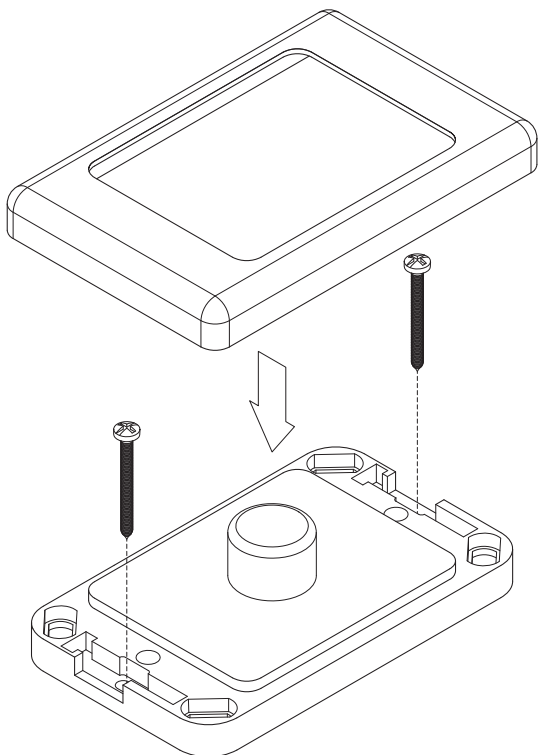


Our products are designed and manufactured in Australia to ensure the highest standards.

▪ DIMENSIONS



▪ INSTALLATION INSTRUCTIONS



STEP 1

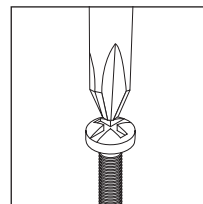
Connect all wires to the screw terminals.

STEP 2

Place Dimmer in facial plate slot.

STEP 3

Secure fasteners with a Philips screwdriver.



STEP 4

Clip in the facial lid onto the dimmer.

■ WIRING DIAGRAM

