



RDM POINT 4

DMX/RDM 4 Channel LED Driver

Coolon RDM Point 4 is the world's most reliable DMX / RDM driver, especially designed for architectural applications. Intelligent dimming solution for a wide range of LED luminaires and applications. Designed for maximum performance in a convenient small package.

Use RDM Point 4 to interface between a remote standard DMX / RDM source and up to 8Amps constant voltage RGB or RGBW LED fittings. The lights and external power supply are conveniently connected using easy plug screw terminals on the output side. Input and through RJ45 are also provided in the interface side for DMX bus connections.





COMPACT

RDM Point 4 driver is designed to suit indoor DMX / RDM controlled LED installations. A compact design allows it to be installed in the smallest of spaces.

RELIABLE

Coolon LED drivers are designed and built to the highest standards and offer high performance, reliability and efficiency supported by our 3 years standard warranty extensive up to 5 years.



SIMPLE

Connect fittings using screw terminal plugs and DMX lines through standard CAT5/6 patch leads, making on-site installations free of specialized tools. The plug type connectors simplify installation and troubleshooting.

CONVENIENT

It will turn a wide variety of outdoor LED luminaires into a remote dimmable fitting via DMX input and PWM output. Easy to mount and highly capable, RDM Point 4 drives up to a 2Amp load per channel and 8Amps total. RDM capability allows remote addressing and monitoring of any installation.

TECHNICAL SPECIFICATIONS

Product Code	DRV-RDM-P4
Description	DMX / RDM 4 Channel LED Driver
Device Type	DMX / RDM input, open drain constant voltage output (suitable for constant voltage LED Lights)
Control Protocol	DMX512 / RDM
Solid State Output	4x MOSFET, Open drain
PWM Frequency	75 – 1950 Hz
Load / Supply Voltage	12 – 48VDC
Power Consumption	< 1 Watt at 24V (No Load)
Max Load Current	2 Amps per channel
Electrical Protection	±15kV ESD protection (human body model) 30kV/µs Common Mode Transient Immunity 560V PEAK Common Mode Working Voltage
Dimming Special Features	Matrix White™ Selectable Digital Processing Algorithm Digital Low Pass Filter
Enclosure	Plastic Enclosure (Fully Isolated)
IP Rating	IP40
Working Temperature	-10 to +50°C
Connectors	2 x RJ45 IEC 60603-7 8-Position Modular connectors (DMX IN and OUT), Easy Plug Screw Terminal (PSU and LEDs)

APPLICATIONS

RDM Point 4 can be used to remotely drive a variety of Coolon LED luminaires, yet is also suitable for most constant voltage LED products including applications such as:

Architectural Lighting	Ceilings	Commercial Lighting
Coves	Office	RGB and RGBW Installations
Show Rooms	Theme Park	

COMPATIBILITY

RDM Point 4 can be used to add DMX / RDM control to the following Coolon LED luminaires, yet is also suitable for most constant voltage LED products.

Alto	Aris UG	Edge RGB
Latitude 37 RGBW	Max Mini UG	Multo
Slim	Spectrum 450	

FEATURES



Enclosed controllers are protected against solid objects greater than 1mm. No Protection against liquids.

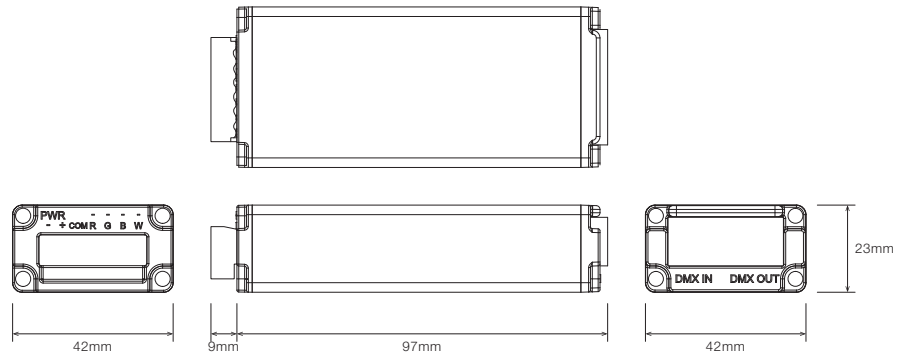


Coolon Controllers are covered by a solid comprehensible 3 year manufacturer's warranty.



Our products are designed and manufactured in Australia to ensure the highest standards.

■ DIMENSIONS



■ WIRING DIAGRAM

