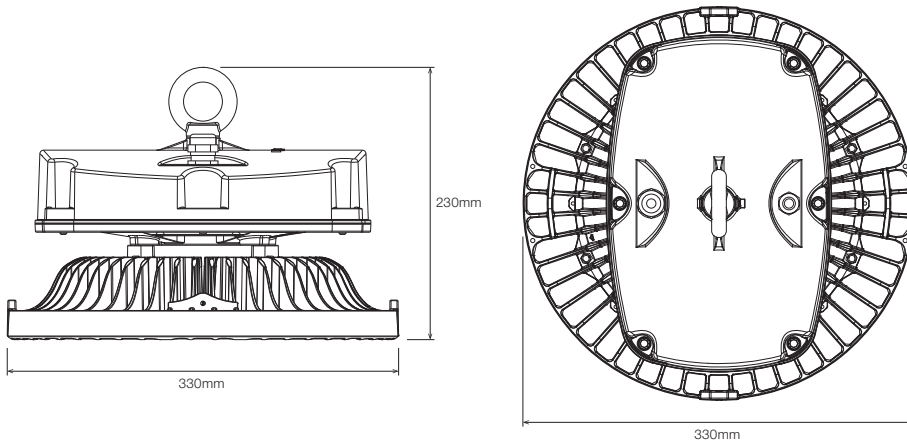


Zeeno LED High Bay 150W / 240W



Electrical Characteristics

Voltage In
200 – 440VAC 50/60Hz

Power
154W / 245W

IP/IK Rating
IP65 / IK08

Operating Temperature
-20 to +50°C

INSTALLATION INSTRUCTIONS - HOOK MOUNTED

Step 1

Hook the ZEENO to chain* and connect the cable.

* Chain and carabiner not included.

WIRING

The ZEENO comes pre-wired with an Australian mains plug. Otherwise if required, the internal conductors are coloured as below.

