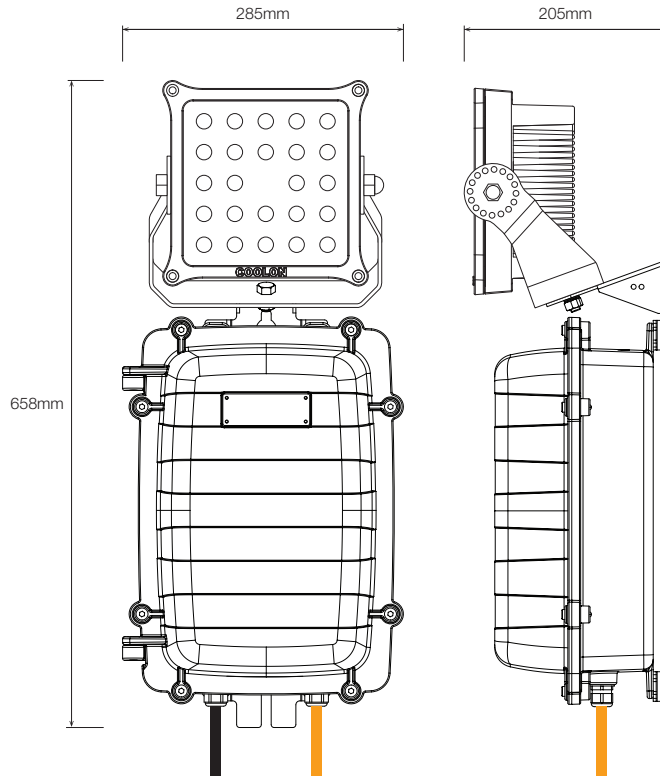


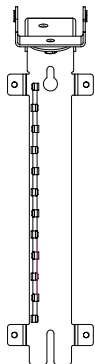
WDN-140



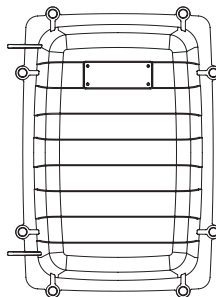
**ASSEMBLY KIT**

The assembly kit includes the following components

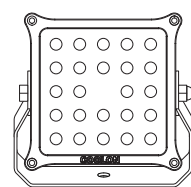
Wall Mount Bracket



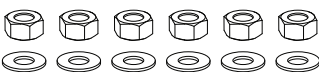
Power Supply & Enclosure



WDN-140 LED Luminaire



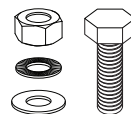
Mounting Hardware



6X M8 nyloc nuts  
6X M8 washers  
(4 sets used for mounting and 2 spare)



2X M6x20 hexagonal cap screws  
for power supply lid supplied as spare



1X M10 nylock nut  
1X M10 washer  
1X M10 Nord-Lock washer  
1X M10x25 hex bolt



2X Zip Ties

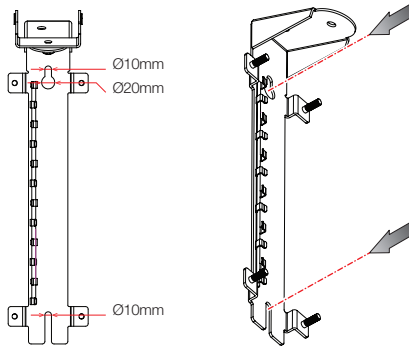


1X 12x9.2 plastic grommet

**MOUNTING INSTRUCTIONS**

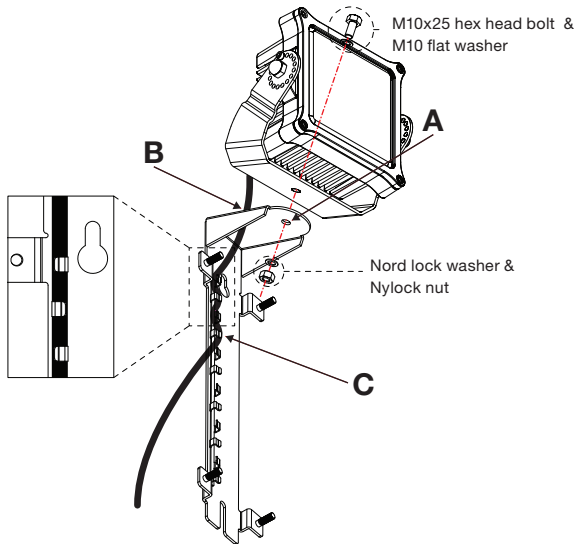
**Step 1**

Mount the wall bracket using the slots provided



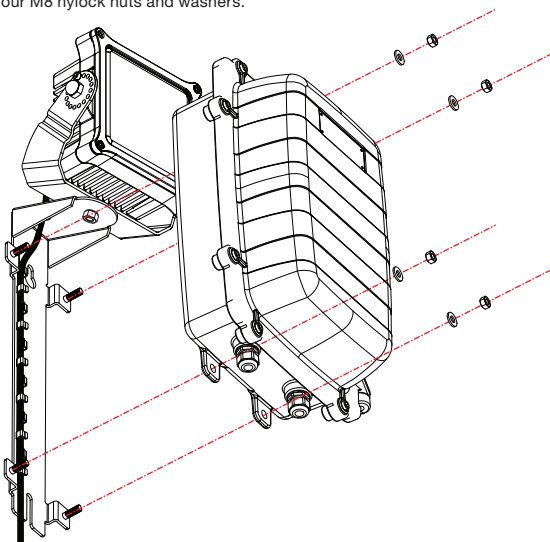
**Step 2**

Mount the luminaire (A) and feed the cable through the grommet provided (B) and secure into the cable retaining clip (C) on the bracket.



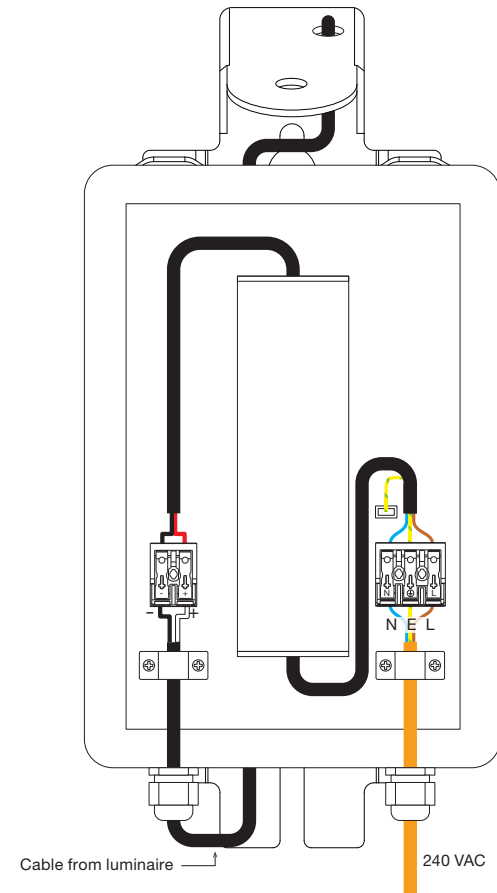
**Step 3**

Mount the power supply enclosure to the wall mount bracket using the four M8 nylock nuts and washers.



**Step 4**

Feed the cables through the cable glands and connect as shown below, making sure polarities are adhered to. Once the cables are positioned as required secure the cable gland nut sufficiently for an adequately sealed connection.



**Step 5**

The power supply enclosure can now be closed and secured using the eight M6x20 hexagonal cap screws.

