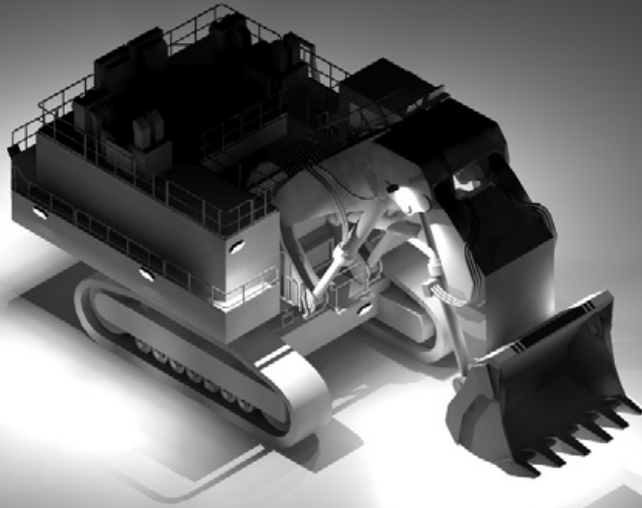


HITACHI

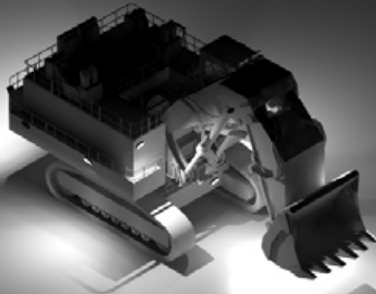
EX5500

Lighting Design Simulation Report

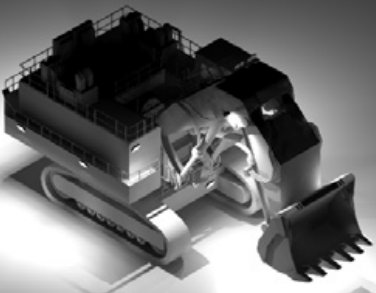


Suggested Layout #1

- High illuminance in bucket
- Wide/medium forward throw
- Wide general hood at back of machine

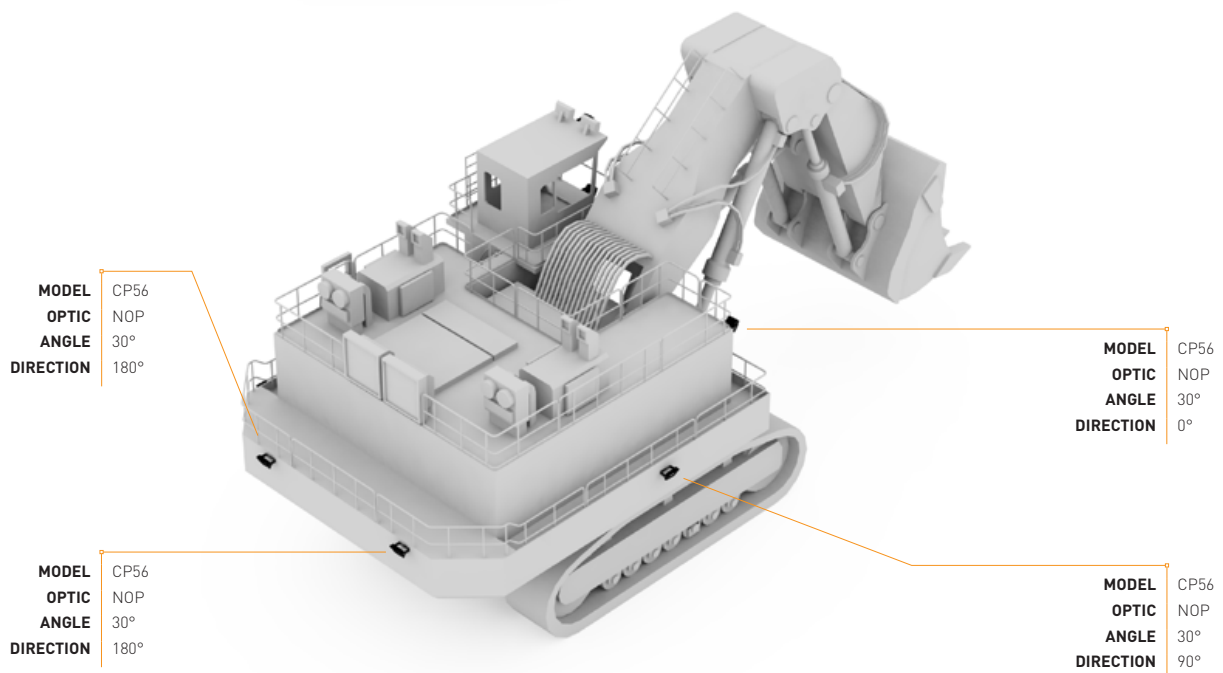
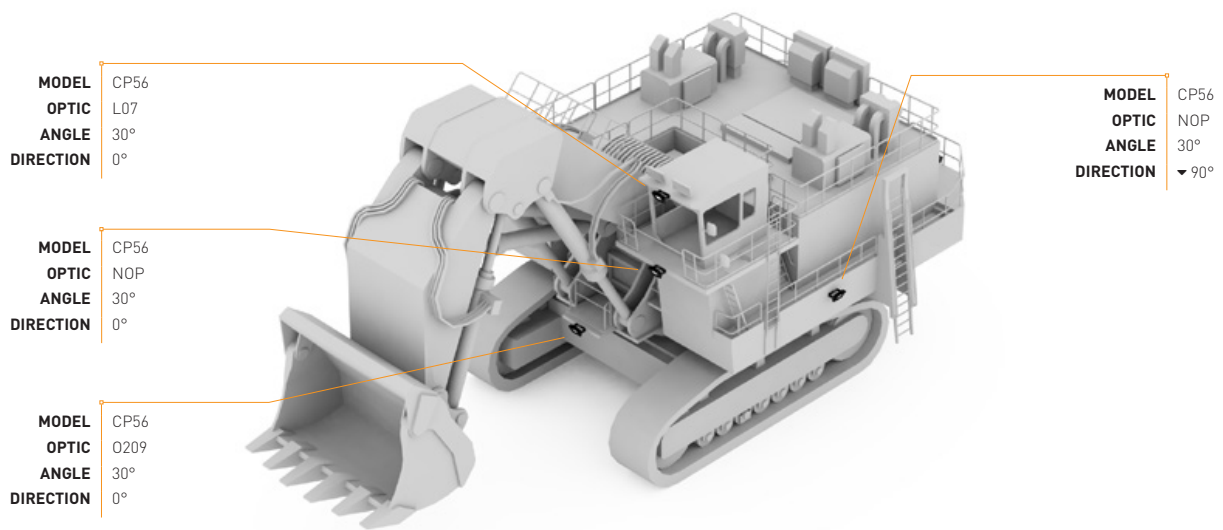
**Suggested Layout #2**

- Very high illuminance in bucket
- Wide/medium forward throw
- Wide general hood around machine



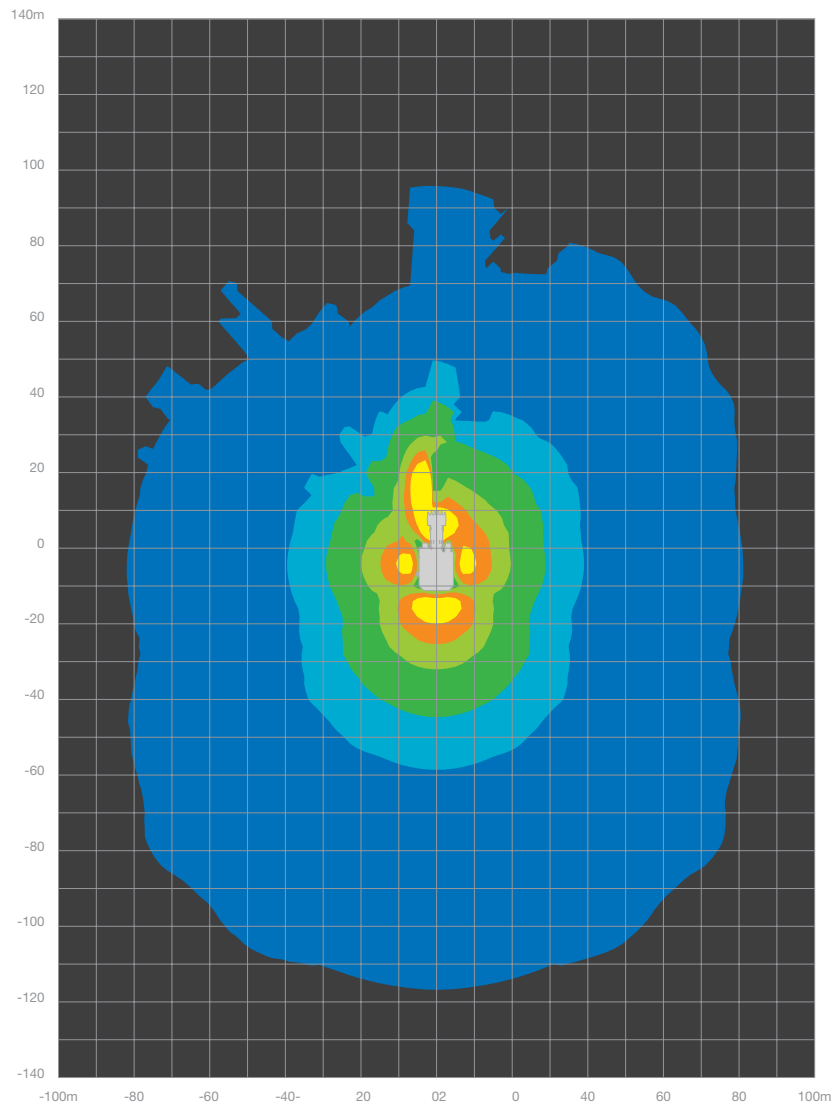
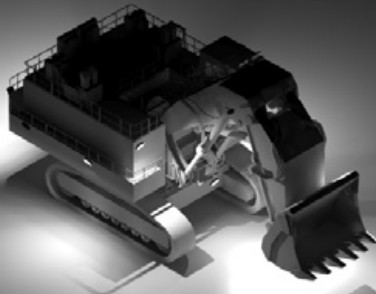
SUGGESTED LAYOUT #1

Model No.	Luminaire	Optic Type	Quantity
CP56-NOP-MPB-NPS	CP56 Flood Light	No Optics (120° Beam Angle)	6
CP56-L07-MPB-NPS	CP56 Flood Light	L25 -14° Beam Angle	1
CP56-O209-MPB-NPS	CP56 Flood Light	O209 - 40° x 18° Beam Angle	1



Suggested Layout #1

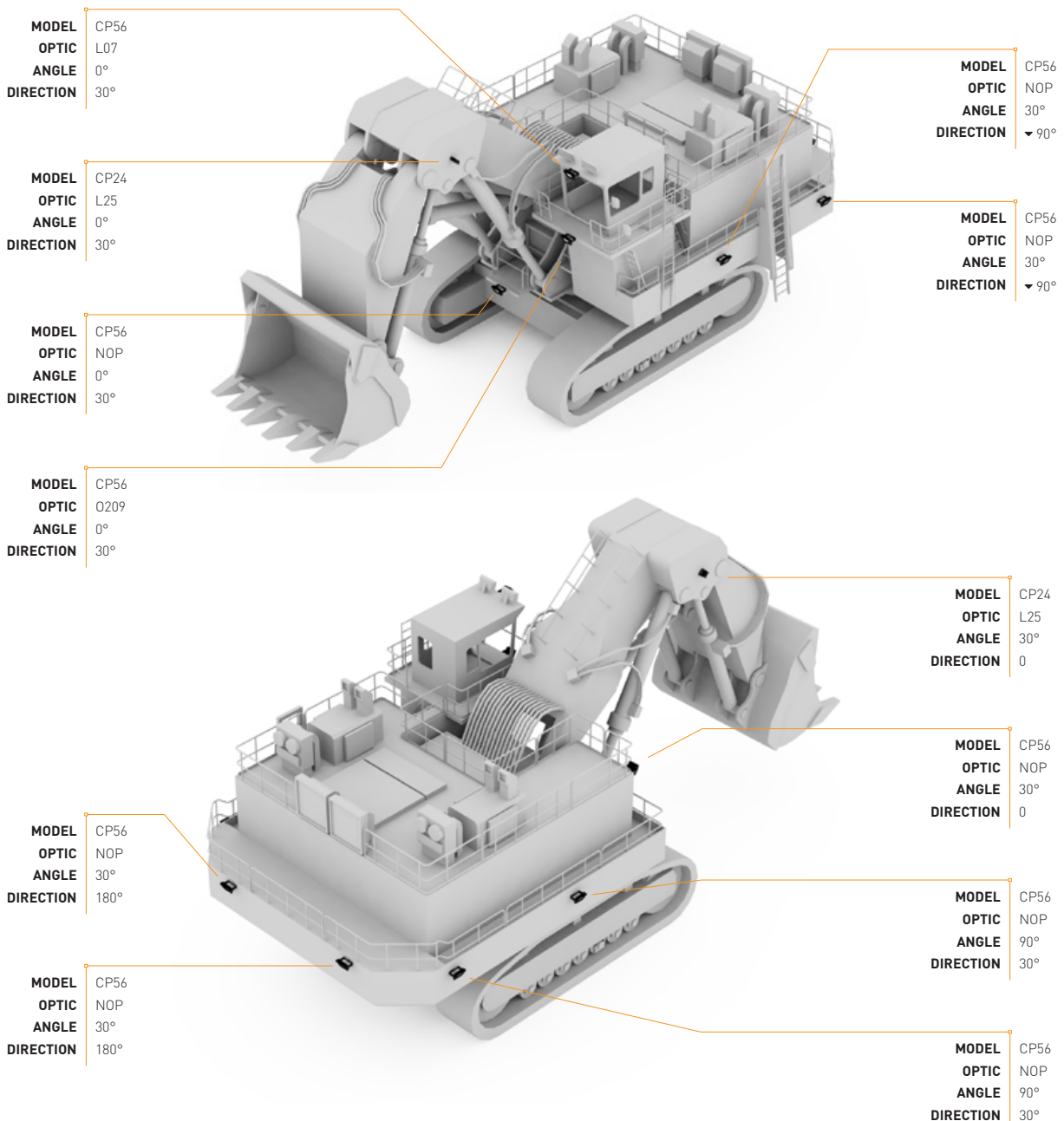
- High illuminance in bucket
- Wide/medium forward throw
- Wide general hood at back of machine



Light loss/maintenance factor: 0.85
Ambient temperature: 35°C

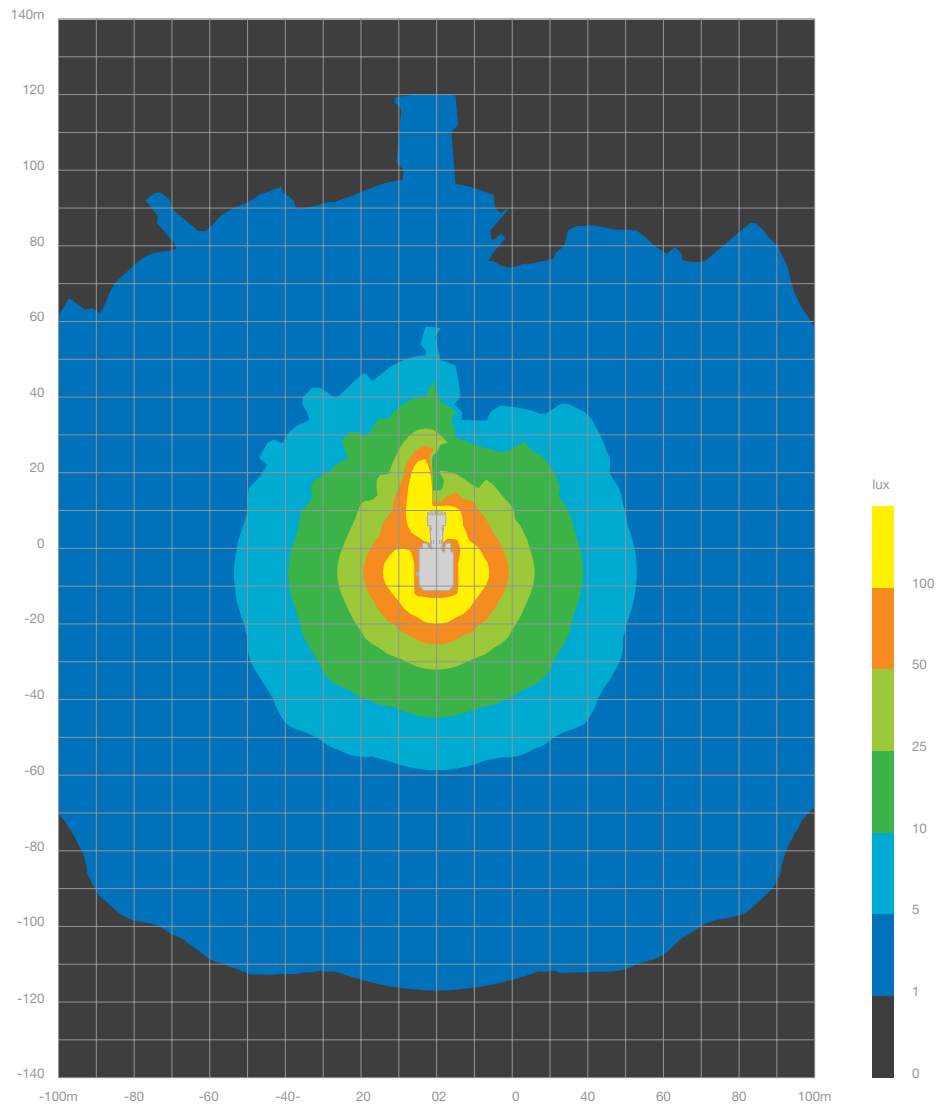
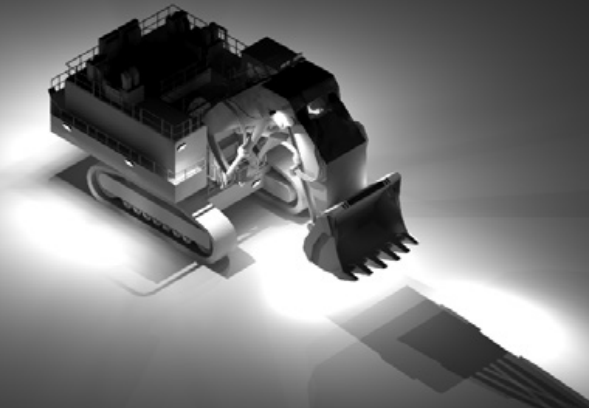
SUGGESTED LAYOUT #2

Model No.	Luminaire	Optic Type	Quantity
CP56-NOP-MPB-NPS	CP56 Flood Light	No Optics (120° Beam Angle)	8
CP56-L25-MPB-NPS	CP56 Flood Light	L25 - 50° Beam Angle	1
CP56-O209-MPB-NPS	CP56 Flood Light	O209 - 40° x 18° Beam Angle	1
CP24-M-L25-MPB-NPS	CP24 Flood Light	L25 - 50° Beam Angle	2



Suggested Layout #2

- Very high illuminance in bucket
- Wide/medium forward throw
- Wide general hood around machine



Light loss/maintenance factor: 0.85
Ambient temperature: 35°C