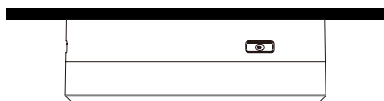


ORICAST

EMERGENCY DOWNLIGHT



ORICAST EMERGENCY DOWNLIGHT



The OriCast is a classic and economical emergency downlight designed for reliable, everyday performance. Suited to surface-mounted applications, it features a durable aluminium trim body that delivers a clean, understated finish ideal for commercial and light-industrial environments. With integrated auto-test functionality, the OriCast ensures compliant emergency operation with minimal maintenance, offering a practical, cost-effective solution where dependable illumination is essential.

PRODUCT INFO

Range	Emergency Light
Model	OriCast
Operating Mode	Auto Test
Mounting Method	Surface Mount
Battery	LiFeP04 6.4V 1500mA / LiFeP04 9.6V 1500mA
Voltage	220-240VAC, 50/60Hz
Power Consumption Standby	3.5W Standby 6W Max

PERFORMANCE SPECIFICATIONS

IP Rating	IP20
IK Rating	IK06
Lumen Output	240 lm / 450 lm
Photometric Classification	C0 D63 C90 D63
Working Temperature	0°C to 45°C

DESIGN SPECIFICATIONS

Weight	0.4 KG
Construction	Aluminium Trim Body
Housing Colour	White or Black Housing

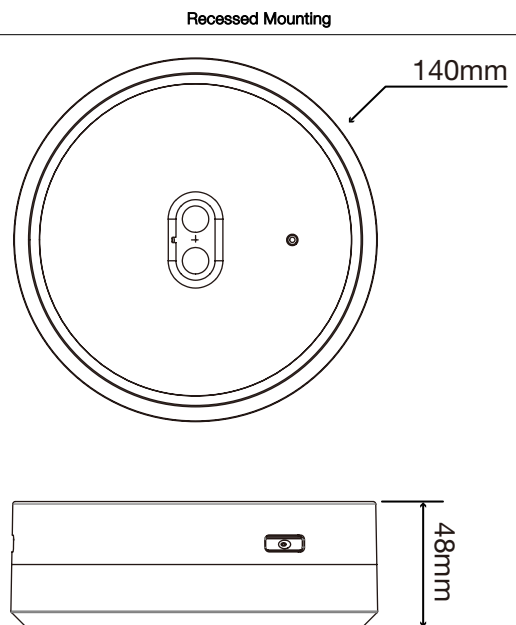
COMPLIANCE & WARRANTY

Certificates Approvals	AS2293- AS/NZS
Warranty	5 Year Warranty

REPLACEMENT PARTS

Replacement Part Numbers	EXA-GSM-AT-CM-WH- Battery
	EXA-GSM-AT-CM-WH-Driver
	EXA-GSM-AT-CM-WH- Diffuser

DIMENSIONS (MM)



OPTIONAL ACCESSORIES

ACC-EMA-OCT-IPE-XX

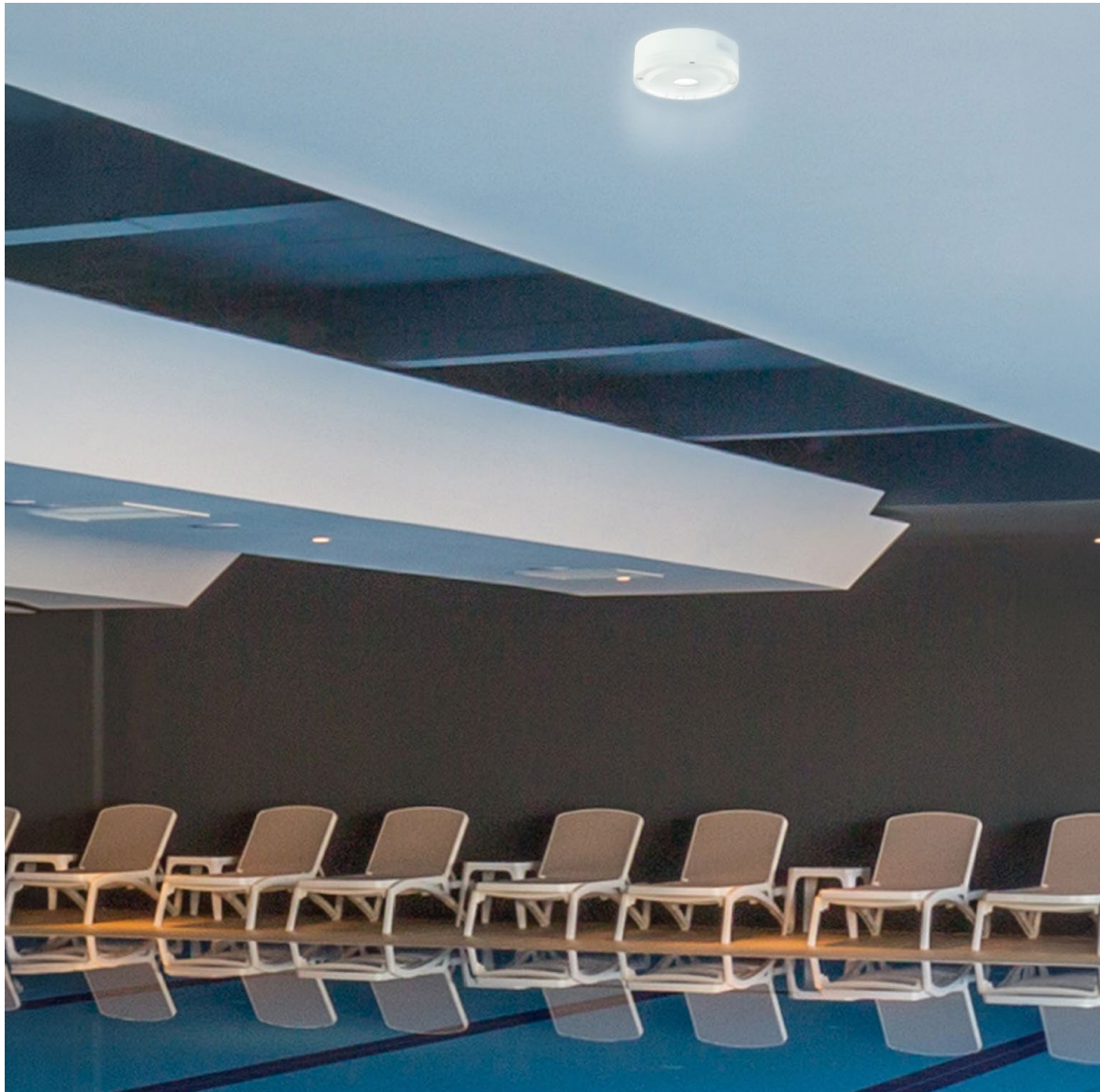


Provide IP65-rated waterproof protection via a purpose designed enclosure, with the OriCast housed internally for protection in exposed environments.

IP / IK Rating	IP65 / IK08
Dimensions	175 x 78mm
Construction	Polycarbonate

ORDERING EXAMPLE

EMA	OCT	AT	WIDE	WH
EMERGENCY	MODEL	TEST MODE	OPTICS	HOUSING COLOUR
EMA Emergency Light	OCT OriCast	AT Auto Test	WIDE Wide 140° Optics	WH White Housing
			OVAL Oval Optics	BK Black Housing



ACCESSORY IP65 ENCLOSURE



Provide IP65-rated waterproof protection via a purpose designed enclosure, with the OriCast housed internally for protection in exposed environments.

PRODUCT INFO

Model	ACC-EMA-OCT-IPE-XX
Mounting Method	Surface Mount

PERFORMANCE SPECIFICATIONS

IP Rating	IP65
IK Rating	IK08

DESIGN SPECIFICATIONS

Dimensions	175 x 78mm
Construction	Polycarbonate
Housing Colour	White or Black Housing

COMPLIANCE & WARRANTY

Certificates Approvals	AS2293- AS/NZS
Warranty	5 Year Warranty