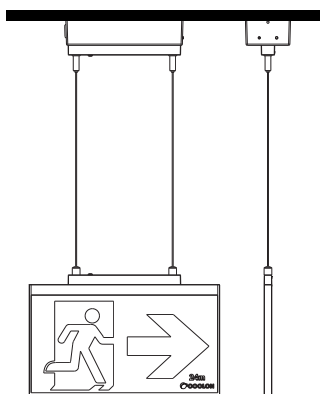
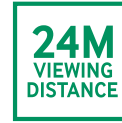


# GUIDESLIM EXIT SIGN

EXIT SUSPENDED WIRE SLING MOUNT



## GUIDESLIM EXIT SIGN SUSPENDED WIRE SLING MOUNT



The GuideSlim is a suspended wire sling mount blade-style emergency exit sign designed for seamless architectural integration. Its slim profile delivers a clean, modern aesthetic, while the illuminated diffuser provides clear, uniform visibility. Each fitting is supplied with 3 metres of suspension wire, allowing the mounting height to be adjusted on site, with power supplied directly through the wire so no additional power cable is required. Constructed from durable aluminium with a high-quality polycarbonate sign panel, GuideSlim offers flexible installation, easy pictogram replacement, and full compliance with AS/NZS 2293 for dependable performance in commercial environments.

### PRODUCT INFO

Range	Exit Light
Model	GuideSlim
Operating Mode	Auto Test
Mounting Method	Suspended Wire Sling Mount
Battery	LiFePO4 6.4V 600mA
Voltage	220-240VAC, 50/60Hz
Power Consumption Standby	2.4W Standby 3.7W Max

### PERFORMANCE SPECIFICATIONS

IP Rating	IP20
IK Rating	IK06
LEDs	12 X Osram DK LED 100,000 hours
Viewing Distance	24M
Photometric Classification	C0 D2 C90 D2
Working Temperature	0°C to 45°C

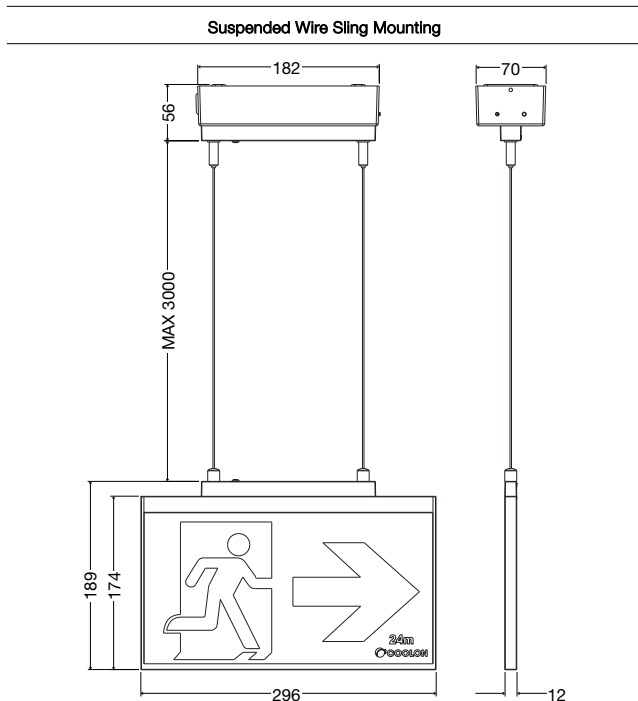
### DESIGN SPECIFICATIONS

Weight	1.1 KG
Construction	Aluminium Trim Body
Diffuser Material	PMMA Diffuser Blade
Housing Colour	White or Black Housing
Pictograms	Directional Pictograms Supplied

### COMPLIANCE & WARRANTY

Certificates Approvals	AS2293- AS/NZS CISPR 15
Warranty	5 Year Warranty

### DIMENSIONS (MM)



NOTE: Fittings are supplied with 3 m suspension wire, cut to suit the mounting height. Power is supplied via the wire. No additional cables are required.

### ACCESSORIES & PARTS

Replacement Part Numbers	EXA-GSM-AT-CM-WH- Battery
	EXA-GSM-AT-CM-WH-Driver
	EXA-GSM-AT-CM-WH- Diffuser

### ORDERING EXAMPLE

EXA	GSM	AT	SWS	WH
<b>EXIT LIGHT</b>	<b>MODEL</b>	<b>TEST MODE</b>	<b>MOUNTING</b>	<b>HOUSING COLOUR</b>
EXA Emergency Light	GSM GuideSlim	AT Auto Test	SWS Suspended Wire Sling Mount	WH White Housing
				BK Black Housing