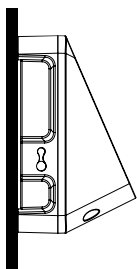


EMA CUBE

9W WALL LIGHT



EMA CUBE 9W WALL LIGHT



The EMA CUBE wall light is an architectural LED emergency luminaire engineered for compliant, reliable performance. Featuring advanced optical distribution and a compact cubic design, EMA CUBE delivers consistent, high-quality illumination with a clean, contemporary aesthetic. With integrated auto-test functionality and IP66-rated construction, EMA CUBE is suitable for outdoor and exposed environments including carparks.

PRODUCT INFO

Model	EMA CUBE
Range	Wall Light
Mounting Method	Wall Mount
Battery	LiFeP04
Voltage	220-240VAC, 50Hz

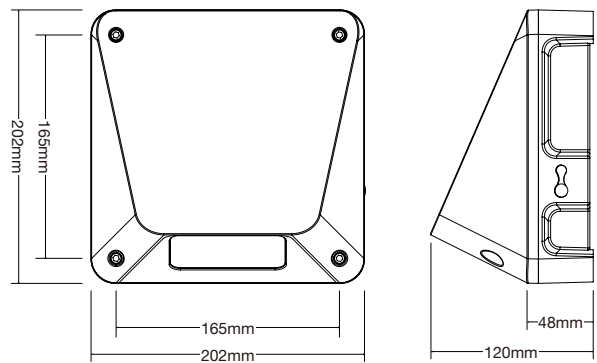
PERFORMANCE SPECIFICATIONS

Power	9W
Lumens	800 lm
Beam Angle	120° (WIDE) / 80° x 140° (OVAL)
IP Rating	IP66
IK Rating	IK08 (housing) / IK07 (lens)
LEDs	SMD 5050 LED 5000K Ra80
Dimmable	No
Photometric Classification	C0 D25 C90 D25
Testing	Auto Test
Emergency Power	5W Max
Working Temperature	0°C to 45°C

DESIGN SPECIFICATIONS

Weight	N.W/PC: 1.84kg G.W/PC: 2.13kg
Construction	Aluminum Alloy (ADC12)
Housing Colour	White or Black Housing
Sensor	Photosensitive Light Sensor

DIMENSIONS (MM)



COMPLIANCE & WARRANTY

Certificates Approvals	AS/NZS 2293.3 / AS/NZS CISPR 15
Warranty	5 Year Warranty

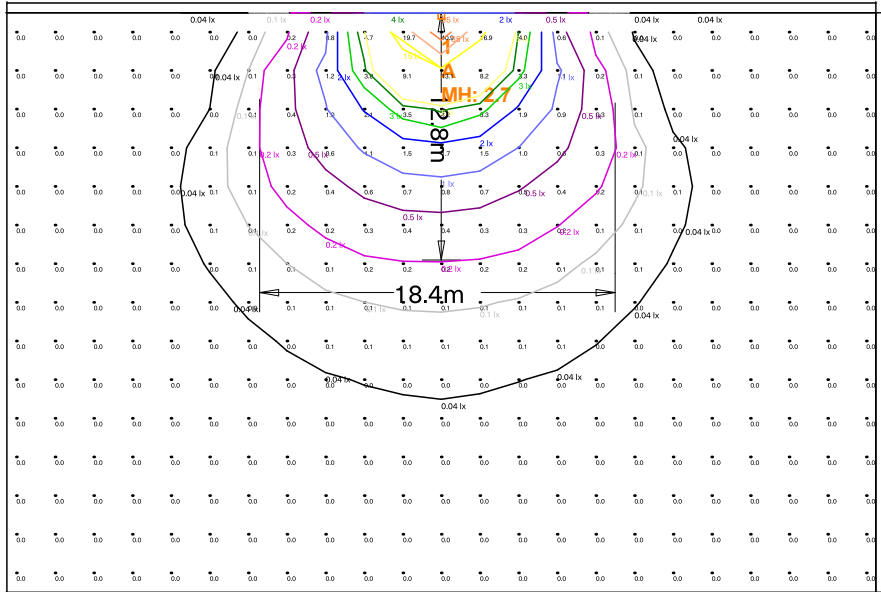
ORDERING EXAMPLE

EMA	CUB	AT	WIDE	WH
EXIT LIGHT	MODEL	TEST MODE	OPTICS	HOUSING COLOUR
EMA Emergency Light	CUB Cube	AT Auto Test	WIDE Wide Optics OVAL Oval Optics	WH White Housing BK Black Housing

EMA CUBE 9W WALL LIGHT

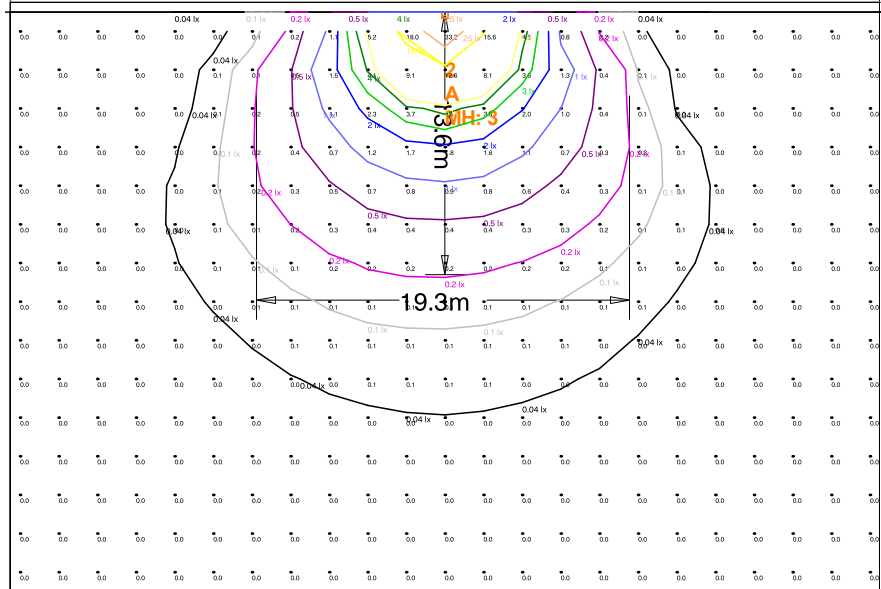
LIGHTING DESIGN

Room Size 45m x 30m
 Mounting Height 2.7m



LIGHTING DESIGN

Room Size 45m x 30m
 Mounting Height 3m



LIGHTING DESIGN

Room Size 45m x 30m
 Mounting Height 5m

