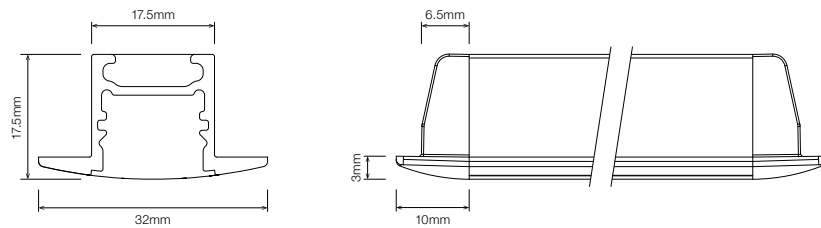




PR17 INSTALLATION INSTRUCTIONS



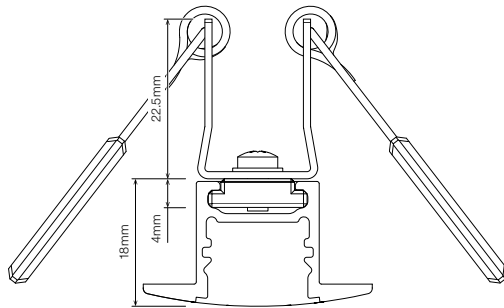
PROFILE DIMENSIONS



⚠ ATTENTION

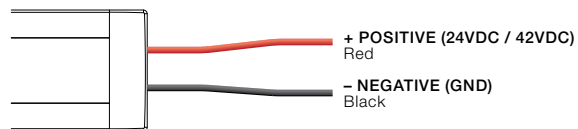
- Please observe / follow the instructions methodically.
- Please ensure the units are handled with extreme care.
- Do not remove LED strips from packaging prematurely. Only remove from packaging when ready for installation.
- Failure to observe installation instructions and handling will void warranty of the product.

DIMENSIONS WITH MOUNTING CLIP

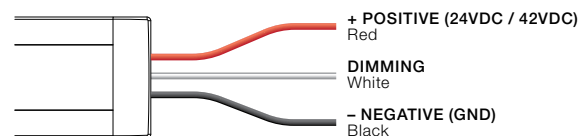


WIRING OPTIONS

2 wires (RB) – Indoor only.



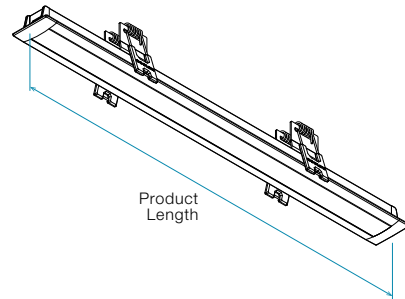
3 wires (RBW) – Indoor only.



STEP 1

Before you begin cutting into the ceiling, ensure that you understand the fitting layout required as supplied fitting lengths may vary.

Refer to the supplied cut sheet for length breakdowns.



STEP 2

Measure the ceiling cut-out carefully before cutting. Refer to cut-out formula below:

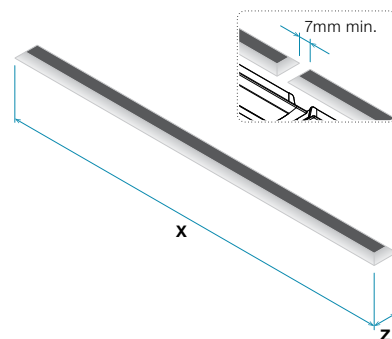
X (Cut-out Length)

Product Length – (minus) 3mm to 5mm

Z (Cut-out Width)

18mm to 24mm

* Ensure that at least 7mm distance is left between cut-outs so flanges don't intersect.



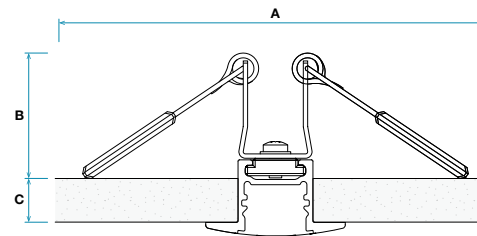
STEP 3

Before proceeding check that the depth of the cavity is at least 45mm and the width of the cavity is at least 95mm to allow for the clips. The mounting substrate must **not** be thicker than 25mm.

A (Min. Cavity Width Allowance) : 95mm

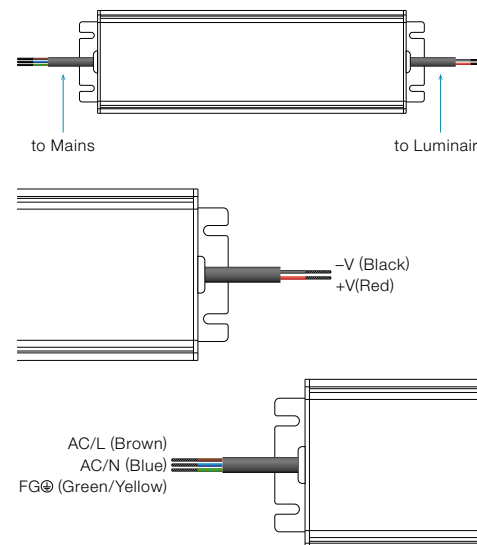
B (Min. Cavity Depth Allowance) : 45mm

C (Max. Thickness of Mounting Substrate) : 25mm



STEP 4

Wire the fitting to the correct power supply as advised on the cut sheet.



STEP 5

Starting on one side of the fitting, fold back the spring clips (away from the fitting). Slowly feed the clips up into the ceiling cut-out until the clips are fully released and the edge of the fitting is flush with the ceiling.

Ensure that any wires are tucked inside the rebate and do not get pinched. Repeat with the next set of clips along the fitting until all clips are released and fitting is fully mounted.

* For fittings 1m or longer two installers are recommended.

