



INTERRA INSTALLATION INSTRUCTIONS

PART 1

Installing the Blockout

PART 2

Installing the Luminaire





⚠ ATTENTION

- Please observe / follow the instructions methodically.
- Please ensure the units are handled with extreme care.
- Do not remove LED strips from packaging prematurely. Only remove from packaging when ready for installation.
- Failure to observe installation instructions and handling will void warranty of the product.

- | | |
|----------------------------------|--|
| A Terminating end lock | D Blockout |
| B Luminaire | E Power supply |
| C Temporary timber insert | F CTR-RDM PIXEL-IPQC (for Interra Pixel Only) |

CARE INSTRUCTIONS

✓ **ONLY USE** the following cleaning agents to wash the face of the Interra luminaire:

- Alcohol (under 30%)
- Soda solution
- Hydrogen peroxide (under 20%)
- Soap solution
- Ammonia, aqueous solution

✗ **DO NOT** use any of the following cleaning agents on the Interra Luminaire:

- Alcohol (absolute)
- Perchloroethylene
- Turpentine
- Carbon tetrachloride
- Petrol mixture (containing benzene)
- Turpentine substitute
- Methylated spirits
- Solvent stain removers
- Paraffin
- Trichloroethylene

✗ **DO NOT** use the following chemicals near the Interra Luminaire:

- Carbon acid (disinfectant)
- Thinners, (general - paint)
- Aqueous solutions of pesticides
- Hydrogen peroxide (over 20% - disinfectant)
- Bituminous emulsion (building materials and protective agents for buildings)
- Nail polish
- Surgical spirit (disinfectant)
- Hot bitumen (building materials and protective agents for buildings)
- Nail polish remover
- Tincture of iodine (5% - disinfectant)
- Calcium chloride cleaning agents
- Nitrocellulose (paint)
- Sodium hypochlorite

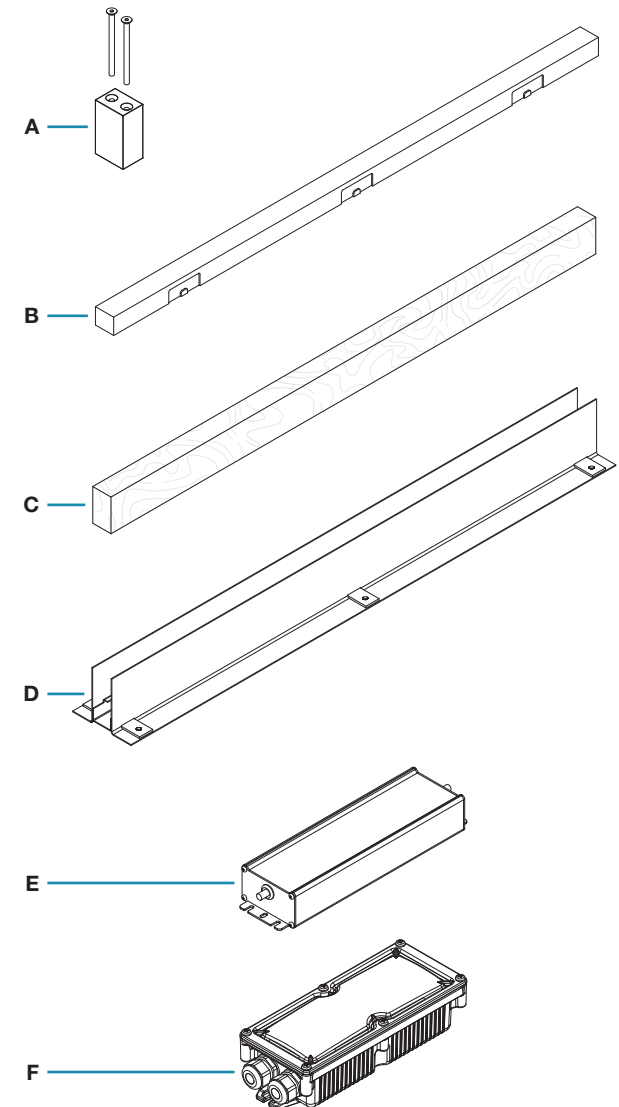
APPLICATIONS

✓ Interra luminaire is suitable for use in applications that include:

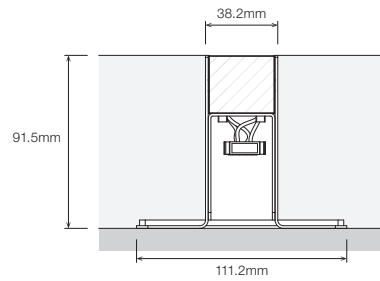
- Prolonged exposure to sea water

✗ **DO NOT** use Interra luminaire in applications that include:

- Any exposure to chlorine liquid
- Prolonged exposure to chlorine water



▪ DIMENSIONS



▪ WIRING OPTIONS

4 Pin Male Connector · Outdoor



4 Pin Female Connector · Outdoor



WIRING COLOUR CODE

Yellow	Negative / Ground
Orange	Negative / Ground
Red	Positive / +42VDC
Brown	Positive / +42VDC

3 Pin Data Male Connector · Outdoor



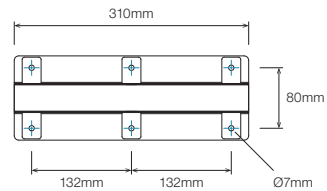
3 Pin Data Female Connector · Outdoor



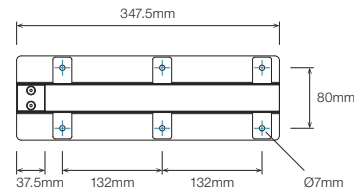
WIRING COLOUR CODE

Red	Data +
White	Data -
Black	Ground

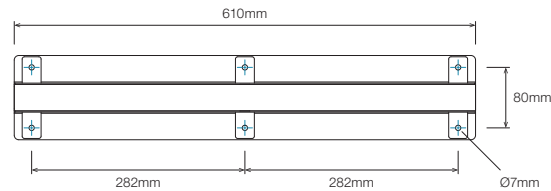
INTERRA S1



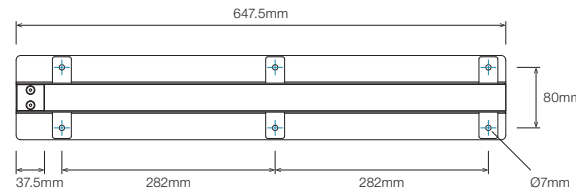
INTERRA S1B · End Piece



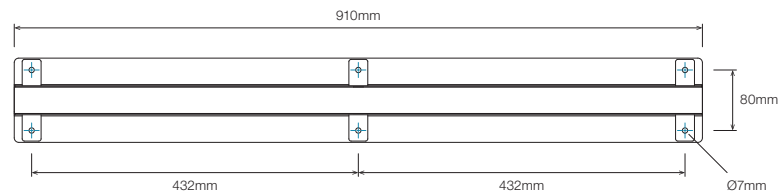
INTERRA S2



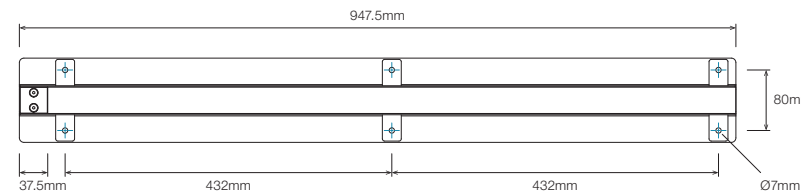
INTERRA S2B · End Piece



INTERRA S3



INTERRA S3B · End Piece



STEP 1 PREPARE THE GROUND

The installation may include soft or hard ground preparation or a combination of both.

In all scenarios, ensure proper drainage is provided.

For soft ground application - adequate drainage material should be provided along the entire length of the "blockout" or run/length of luminaires.

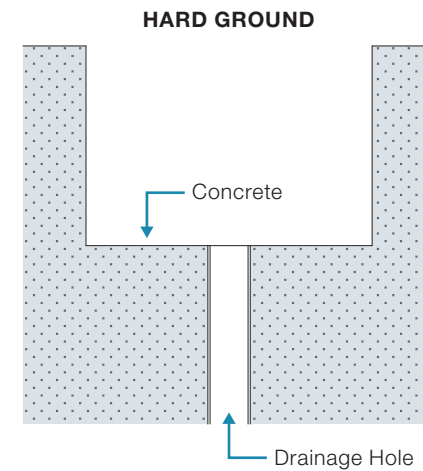
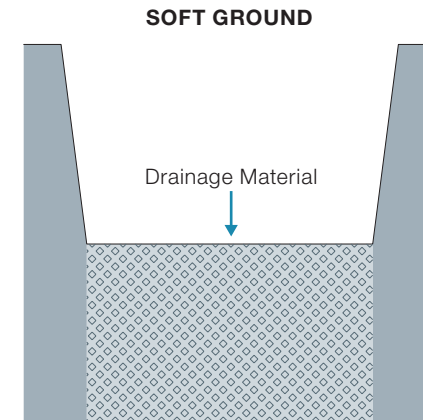
Drainage material can be:



For hard ground application – adequate drainage must be provided for each "blockout" length or run/length of luminaires. Ensure that drainage is at the lowest point.

Draining pipes must be used along the lengths of the "blockout".

Provide natural water drainage by allowing water to flow to a lower elevation, away from site.



STEP 2

PLACE BLOCKOUT IN SITU

Before you begin installation, ensure that you understand the fitting layout required as supplied fitting lengths may vary.

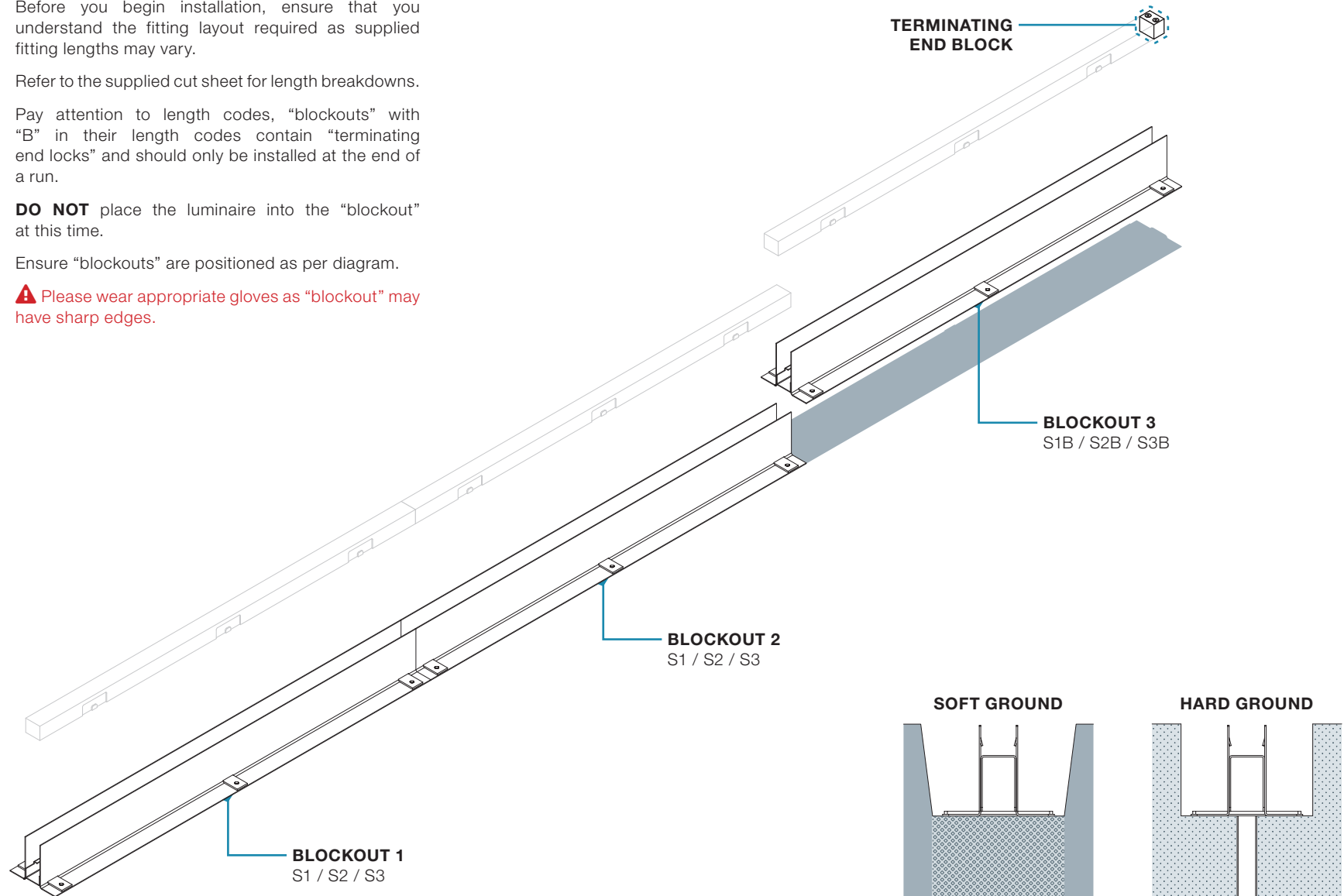
Refer to the supplied cut sheet for length breakdowns.

Pay attention to length codes, “blockouts” with “B” in their length codes contain “terminating end locks” and should only be installed at the end of a run.

DO NOT place the luminaire into the “blockout” at this time.

Ensure “blockouts” are positioned as per diagram.

⚠ Please wear appropriate gloves as “blockout” may have sharp edges.



STEP 3 TEST DRAINAGE

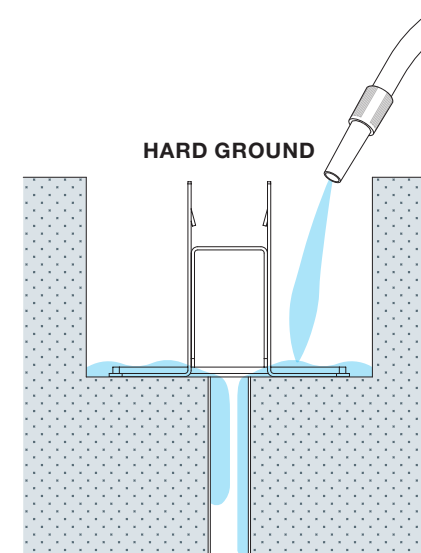
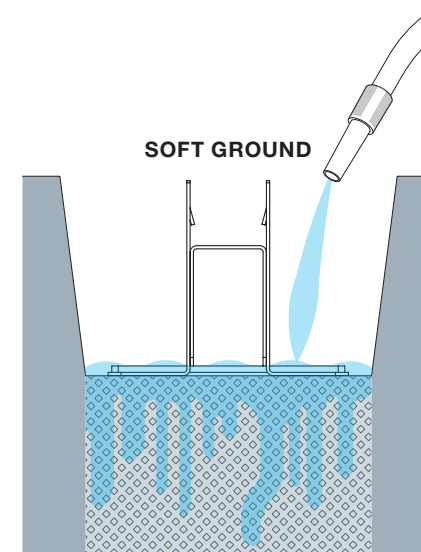
Test drainage by using a hose or bucket of water.

Ensure the water drains effectively and quickly within the "blockout".

Ensure the water propagates through the soft ground drainage.

Ensure the water drains quickly with hard ground installations.

⚠ Failure to provide adequate drainage during installation will void warranty.



STEP 4 INSTALL CABLING

Install cabling between the PSU to the “blockout”.

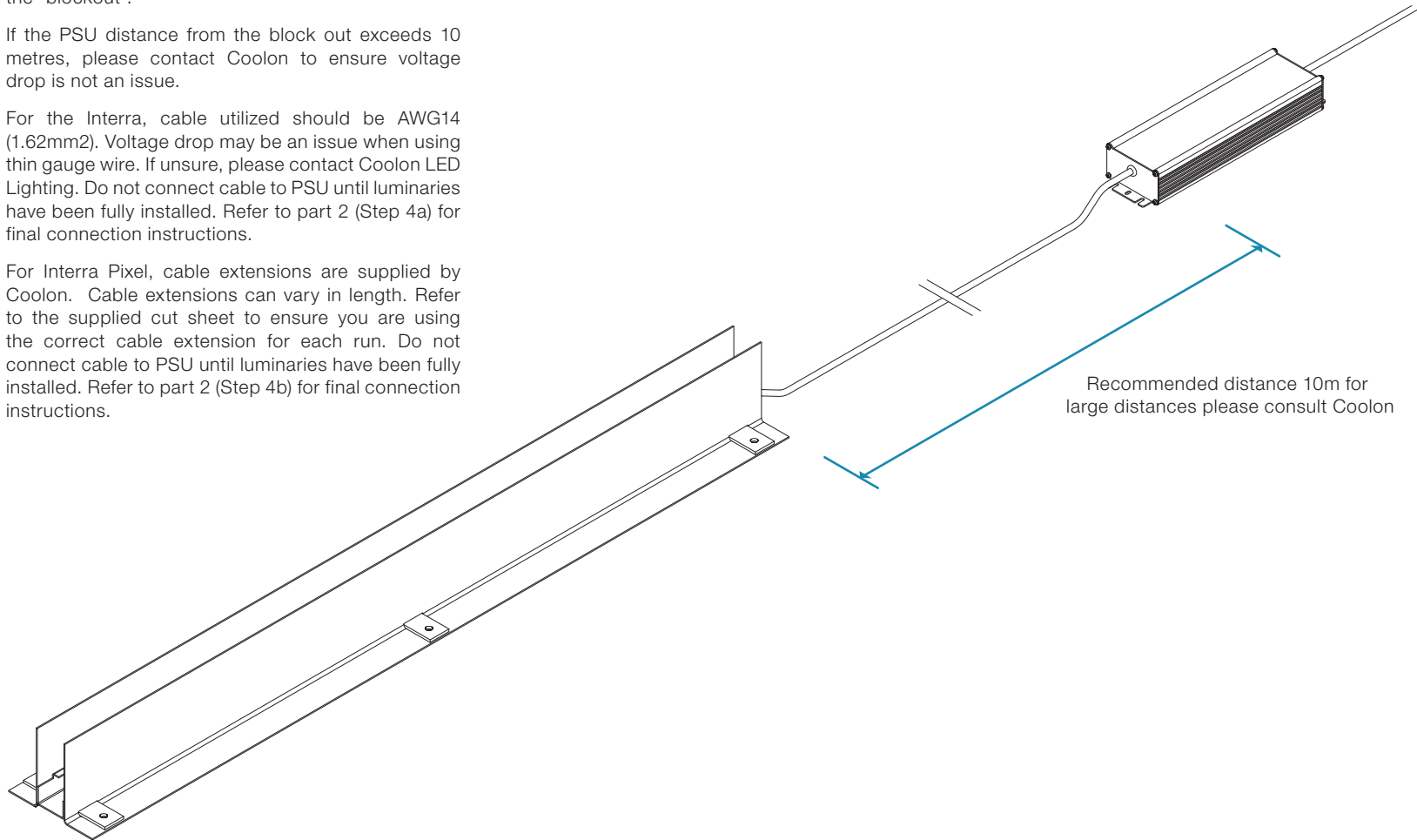
Conduit (by others) must be effectively protected/ shielded to ensure installation is not compromised.

Power Supply Unit (supplied based on load or based on layout) should not be more than 10 metres from the “blockout”.

If the PSU distance from the block out exceeds 10 metres, please contact Coolon to ensure voltage drop is not an issue.

For the Interra, cable utilized should be AWG14 (1.62mm²). Voltage drop may be an issue when using thin gauge wire. If unsure, please contact Coolon LED Lighting. Do not connect cable to PSU until luminaries have been fully installed. Refer to part 2 (Step 4a) for final connection instructions.

For Interra Pixel, cable extensions are supplied by Coolon. Cable extensions can vary in length. Refer to the supplied cut sheet to ensure you are using the correct cable extension for each run. Do not connect cable to PSU until luminaries have been fully installed. Refer to part 2 (Step 4b) for final connection instructions.

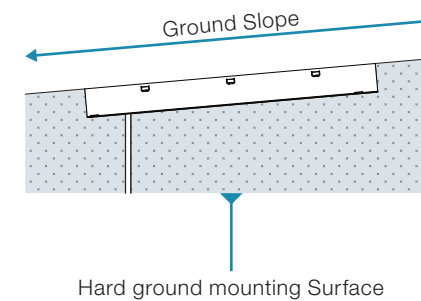
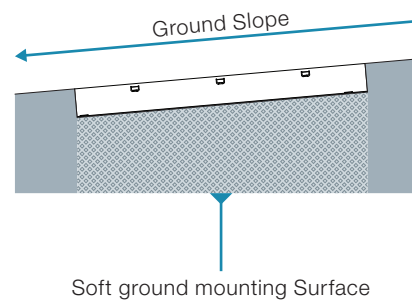
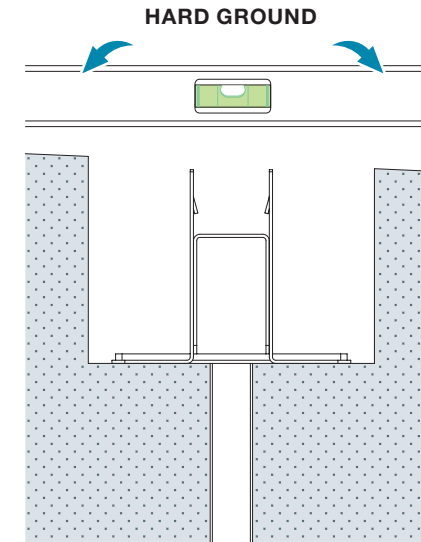
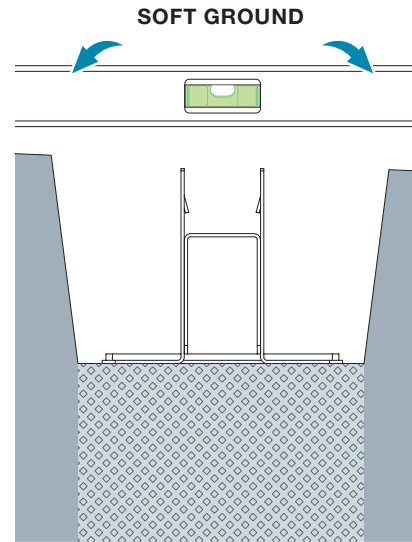
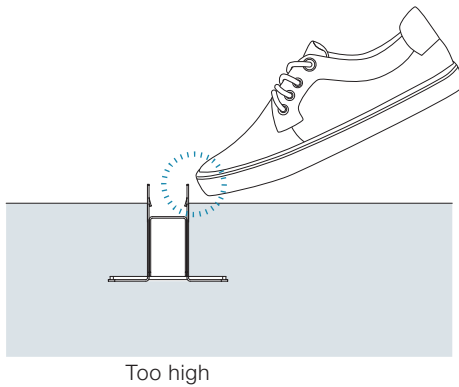
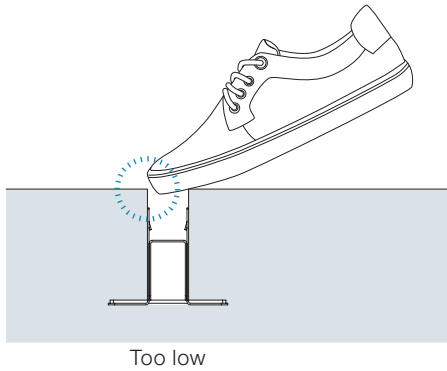


STEP 5 LEVEL BLOCKOUT

Level the "blockout" so that the top is flush with the ground.

Adjust mounting surface to ensure "blockout" is level with the ground for the entire length of the run.

⚠ "Blockout" protruding or dropping below the ground surface will cause a trip hazard.

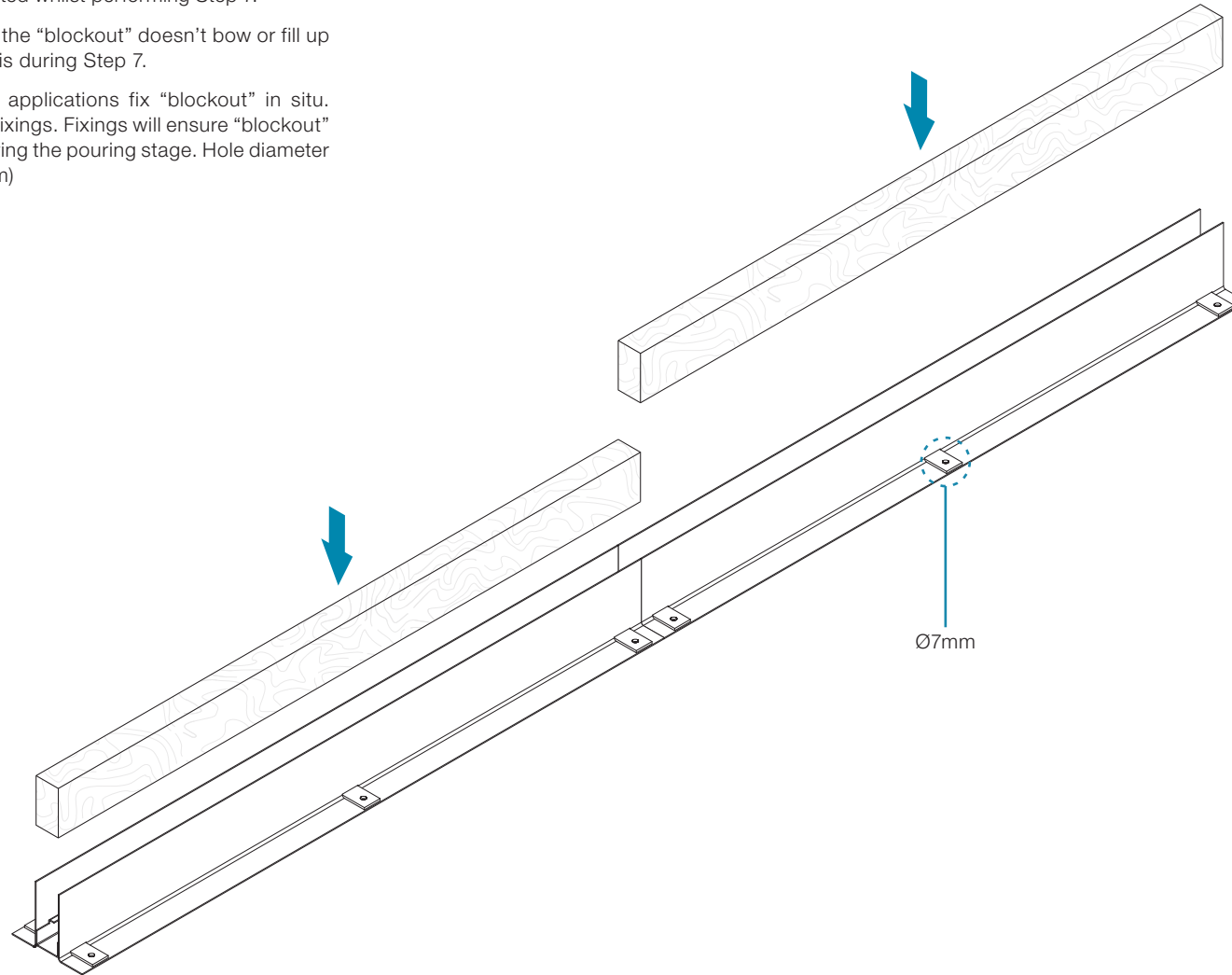


STEP 6 INSTALL TEMPORARY TIMBER INSERT

Install temporary timber insert to ensure “blockout” is sufficiently protected whilst performing Step 7.

Insert will ensure the “blockout” doesn’t bow or fill up with excess debris during Step 7.

For hard ground applications fix “blockout” in situ. Use appropriate fixings. Fixings will ensure “blockout” doesn’t move during the pouring stage. Hole diameter for fixings is (7mm)

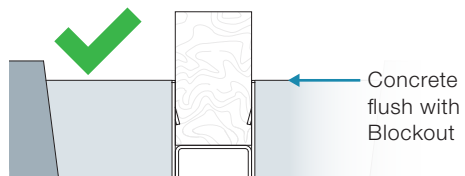
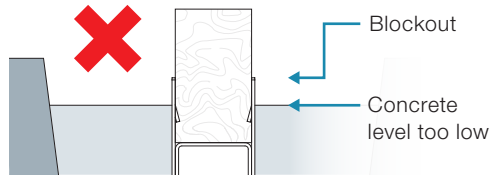
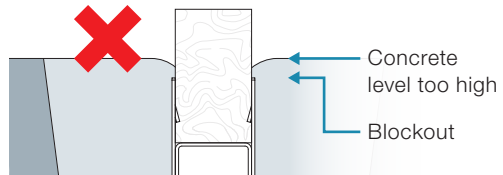


STEP 7

FILL

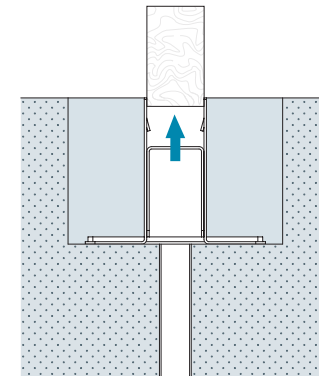
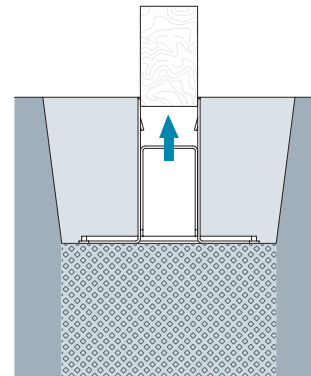
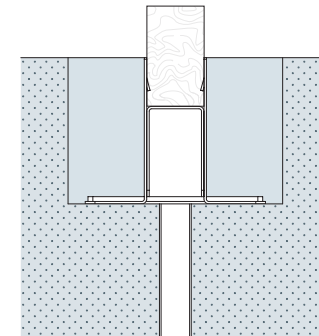
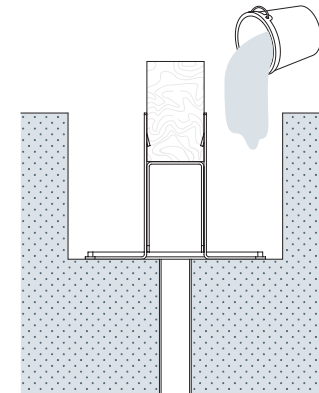
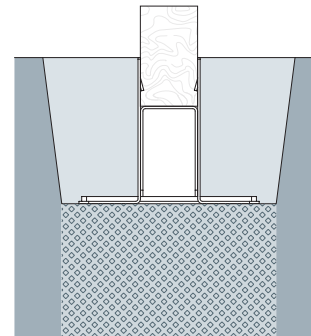
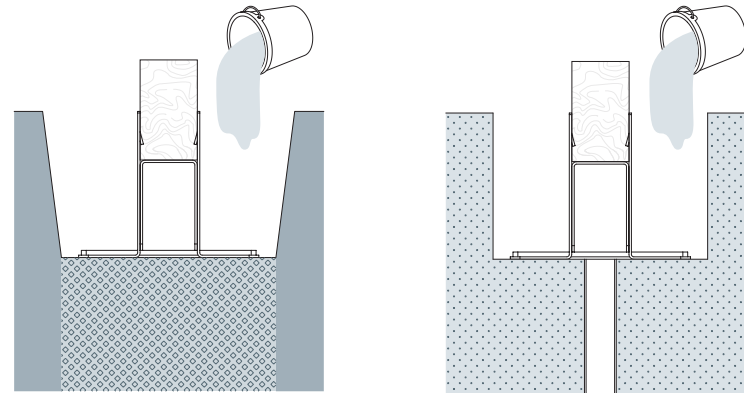
Pour concrete around “blockout”. Ensure concrete doesn’t enter the inside of the “blockout”.

Ensure the level of concrete is flush with the “blockout”



Please remove excess concrete from temporary timber insert and “blockout”. Ensure insert can be removed once concrete has set or the surrounding area has been filled.

Remove temporary timber insert from “blockout” after concrete has set.



STEP 1 INSTALL LUMINAIRE

Start installation at one end of the run. Ensure the fittings has a length code that does not contain "B". Length codes with "B" must be installed last.

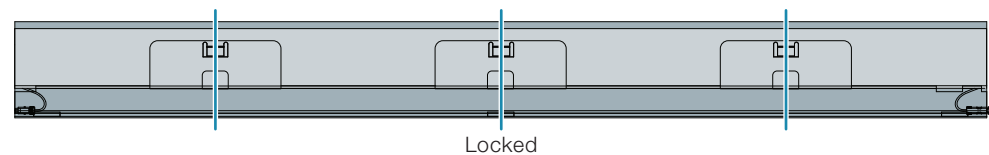
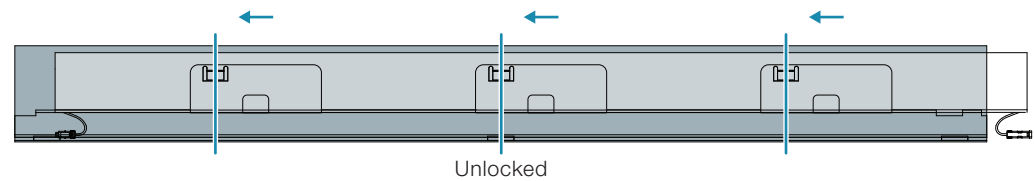
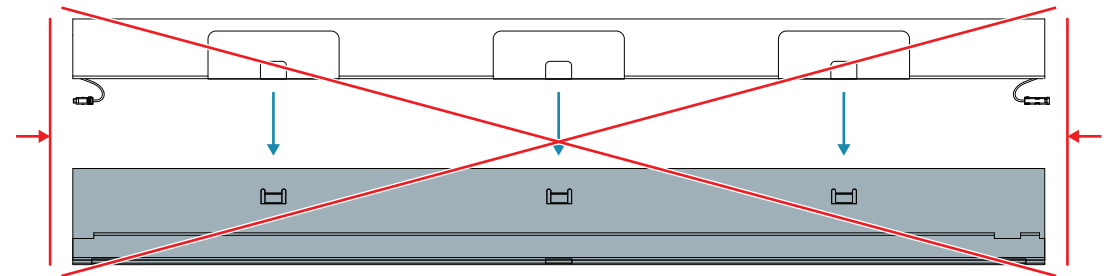
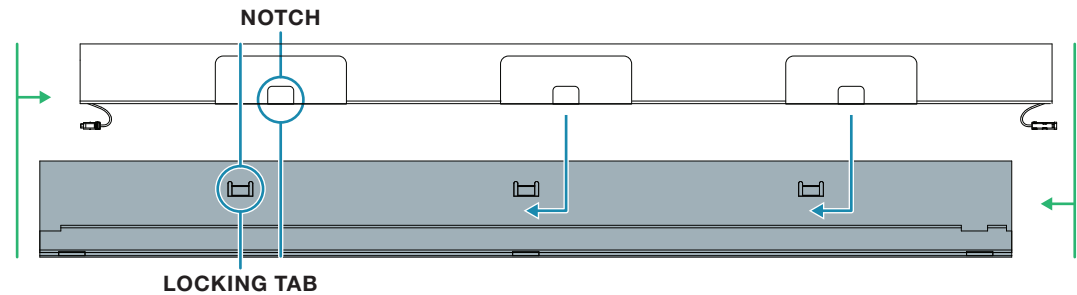
Ensure you have selected the correct luminaire length for the "blockout" and that orientation is correct so that male and female connectors meet.

To install, align the notches in the luminaire are with the locking tabs in the "blockout".

Slide luminaire to the side to ensure luminaire is locked into block out via three-locking tabs.

⚠ DO NOT force luminaire into "blockout", it should insert easily. If luminaire does not insert easily, check that notches are aligned or if wiring has been jammed under the luminaire.

Never stand on or use tools to force to the luminaire. This will cause damage and void Warranty.



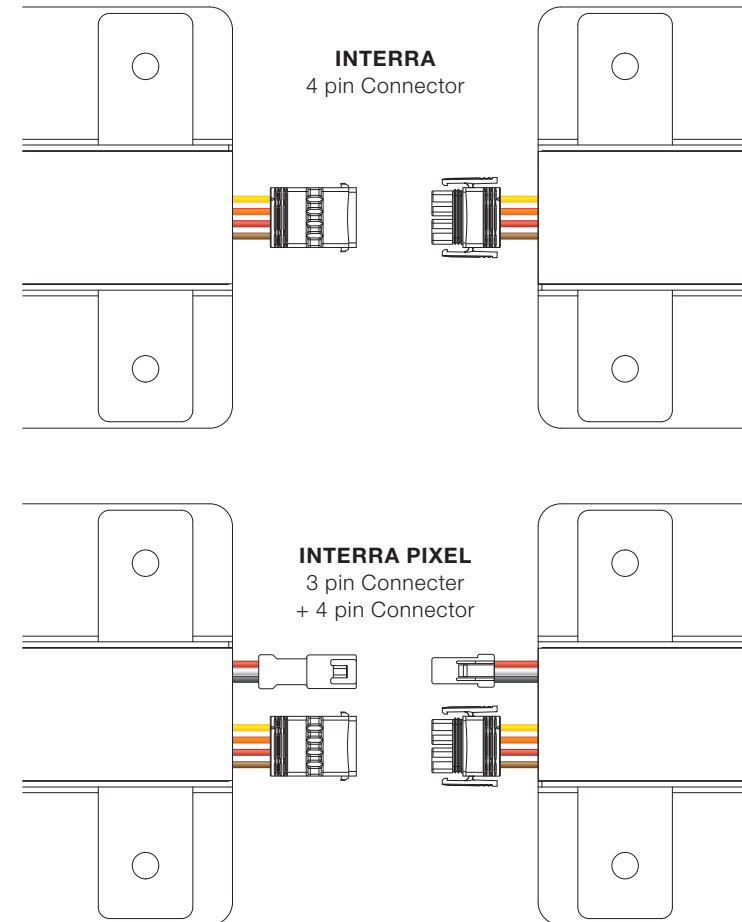
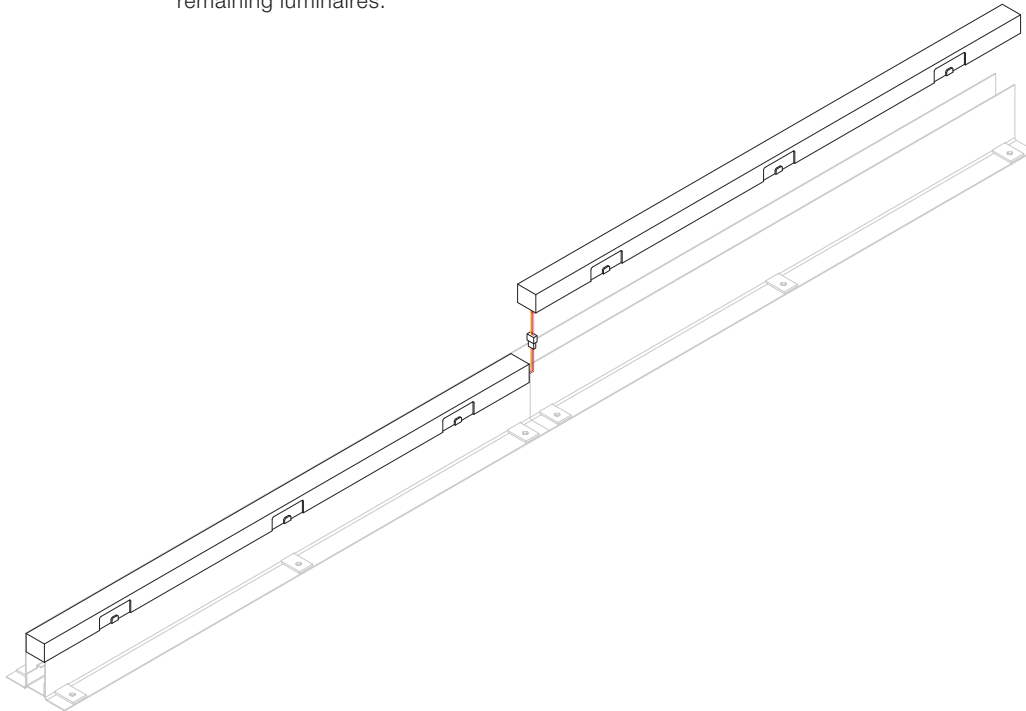
STEP 2 CONNECT

After Inserting the first luminaire, connect the Male connector/s to the Female connector/s of the next luminaire.

Interra uses one 4 pin connector. Interra Pixel uses one 4 pin connector and one 3 pin connector.

Before inserting the second luminaire, tuck the wires and connectors in to the "blockout" cavity.

Insert the second luminaire carefully ensuring no wires are pinched in the processed. Repeat with the remaining luminaires.



▪ STEP 3

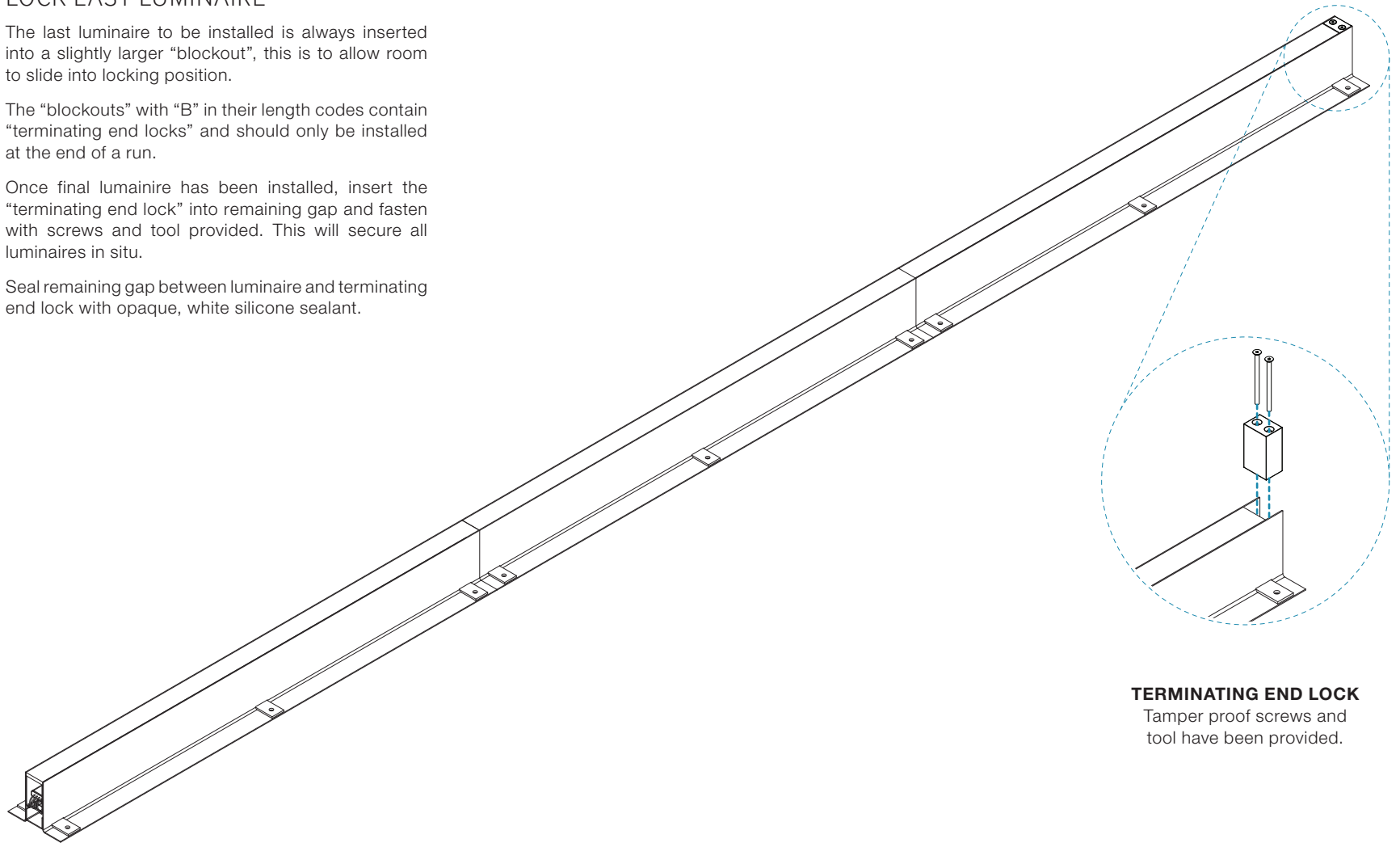
LOCK LAST LUMINAIRE

The last luminaire to be installed is always inserted into a slightly larger “blockout”, this is to allow room to slide into locking position.

The “blockouts” with “B” in their length codes contain “terminating end locks” and should only be installed at the end of a run.

Once final luminaire has been installed, insert the “terminating end lock” into remaining gap and fasten with screws and tool provided. This will secure all luminaires in situ.

Seal remaining gap between luminaire and terminating end lock with opaque, white silicone sealant.

**TERMINATING END LOCK**

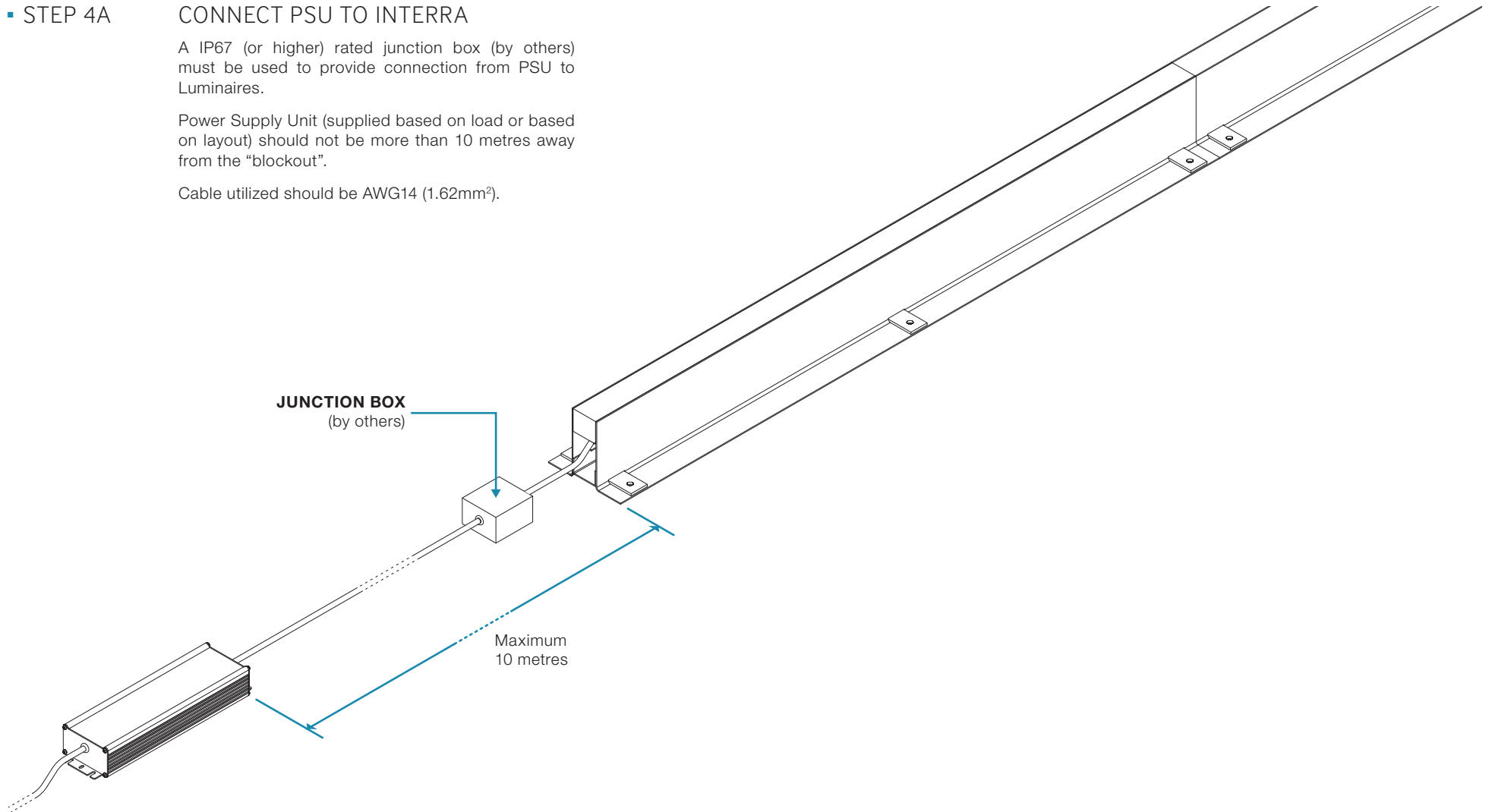
Tamper proof screws and tool have been provided.

▪ STEP 4A CONNECT PSU TO INTERRA

A IP67 (or higher) rated junction box (by others) must be used to provide connection from PSU to Luminaires.

Power Supply Unit (supplied based on load or based on layout) should not be more than 10 metres away from the "blockout".

Cable utilized should be AWG14 (1.62mm²).



▪ STEP 4B CONNECT PSU AND RDM TO INTERRA PIXEL

Connect the 4 pin and 3 pin Male connector of last Luminaire to the Female connectors on the "leader" supplied.

The "leader" is to be connected to a cable extension using the 5 pin connector supplied. The cable extensions (supplied by Coolon as an additional accessory) can vary in length.

Refer to the supplied cut sheet to ensure you are using the correct cable extension for each run.

Cable extension are to be connected to the RDM driver using a 5 pin connector supplied.

The RDM Driver is to be connected to the Power Supply Unit (PSU) using the 3 pin connector supplied.

The PSU are supplied based on load or layout. Refer to the supplied cut sheet to ensure that you are using the correct PSU for each run.

