



DALI LOGIC IP

DALI To 1 Channel PWM Brightness Outdoor Controller

Coolon DALI Logic IP is the world's most reliable DALI PWM outdoor controller for architectural applications. Designed to complement Coolon architectural LED fixtures range for maximum performance in a robust and easy to mount enclosure.

Use DALI Logic IP to interface between a remote standard DALI source and LED lights fitted with Coolon brightness control input. The fittings and external power supply are conveniently connected using screw terminals on the output side. Input and output screw terminals are also provided in the interface side for DALI bus.





DURABLE

DALI Logic IP driver is designed to suit outdoor DALI controlled LED installations. Robust housing design, suitable for inclement weather.

RELIABLE

Coolon LED drivers are designed and built to the highest standards and offer high-performance, reliability and efficiency supported by our 3 years standard warranty or up to 5 years extensive warranty.



SIMPLE

Easy wiring using cable glands and screw terminals, making on-site installations free of specialized tools or crimping.

CONVENIENT

It will turn suitable LED luminaires into a remote dimmable fitting via DALI control. Highly capable, DALI Logic IP will dim luminaires with fitted PWM control input from 1 – 100% range.

TECHNICAL SPECIFICATIONS

Product Code	CTR-DALILOGIC-IP
Description	DALI to 1 Channel PWM Brightness Outdoor Controller
Device Type	Standard DALI input (addressable), push-pull PWM control output (suitable for LED products with inbuilt brightness control line)
Control Protocol	DALI Standard Compliant
Solid State Output	PWM signal, Push-pull (100mA Max)
PWM Frequency	75 Hz
Dimming Range	1 – 100%
Load / Supply Voltage	24 – 48V DC
Power Consumption	0.25W (no load)
Load Voltage	24 – 48V DC
Enclosure	Aluminium die-cast
IP Rating	IP65
Working Temperature	-10 – 60°C
Connection	Screw terminals

APPLICATIONS

DALI Logic IP remotely controls a wide variety of LED luminaires. Most popular applications are:

Architectural Outdoor Lighting	Commercial Outdoor Lighting	Façades
Street and Outdoor Lighting	Tough Environments	

COMPATIBILITY

DALI Logic IP can be used to add DALI control to the following Coolon LED luminaires, yet is also suitable for most constant voltage LED products.

Aduro	Aduro X2	Aris
Beam	Electro	Max Mini
Maxis	Primo	Primo CC
Primo X2	Ratio	

FEATURES



Fully protected against dust.
Protected against water jets from all directions.

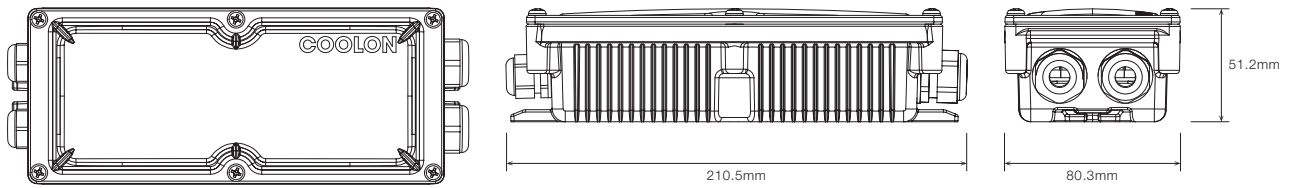


Coolon Controllers are covered by a solid comprehensible 5 year manufacturer's warranty.

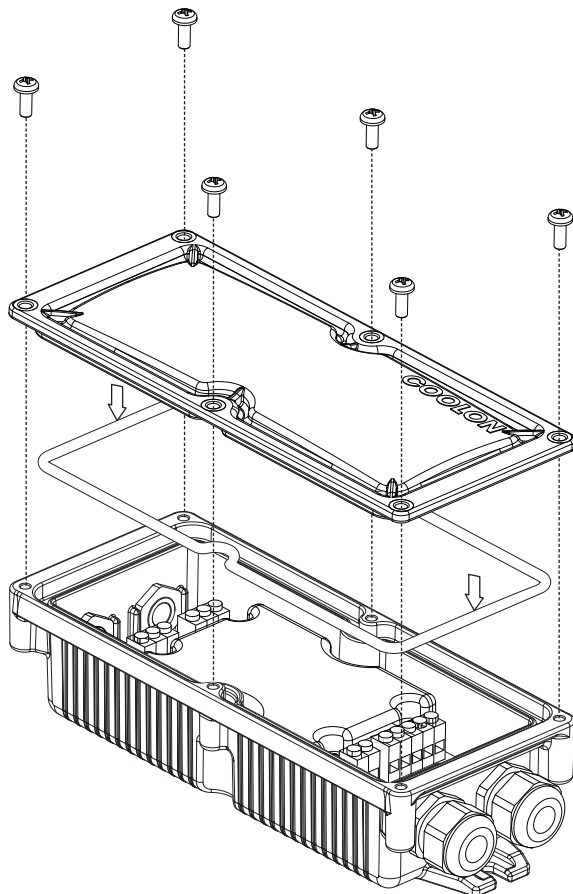


Our products are designed and manufactured in Australia to ensure the highest standards.

▪ DIMENSIONS

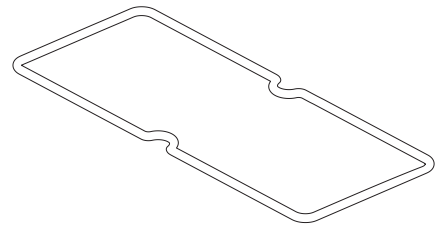


▪ INSTALLATION INSTRUCTIONS



STEP 1

Ensure seal is seated properly in the groove of the base.



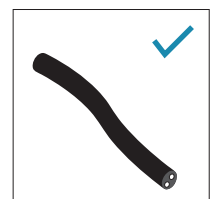
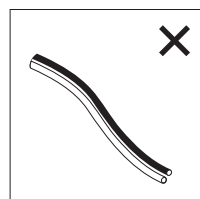
STEP 2

Screw down cover using 6 screws.

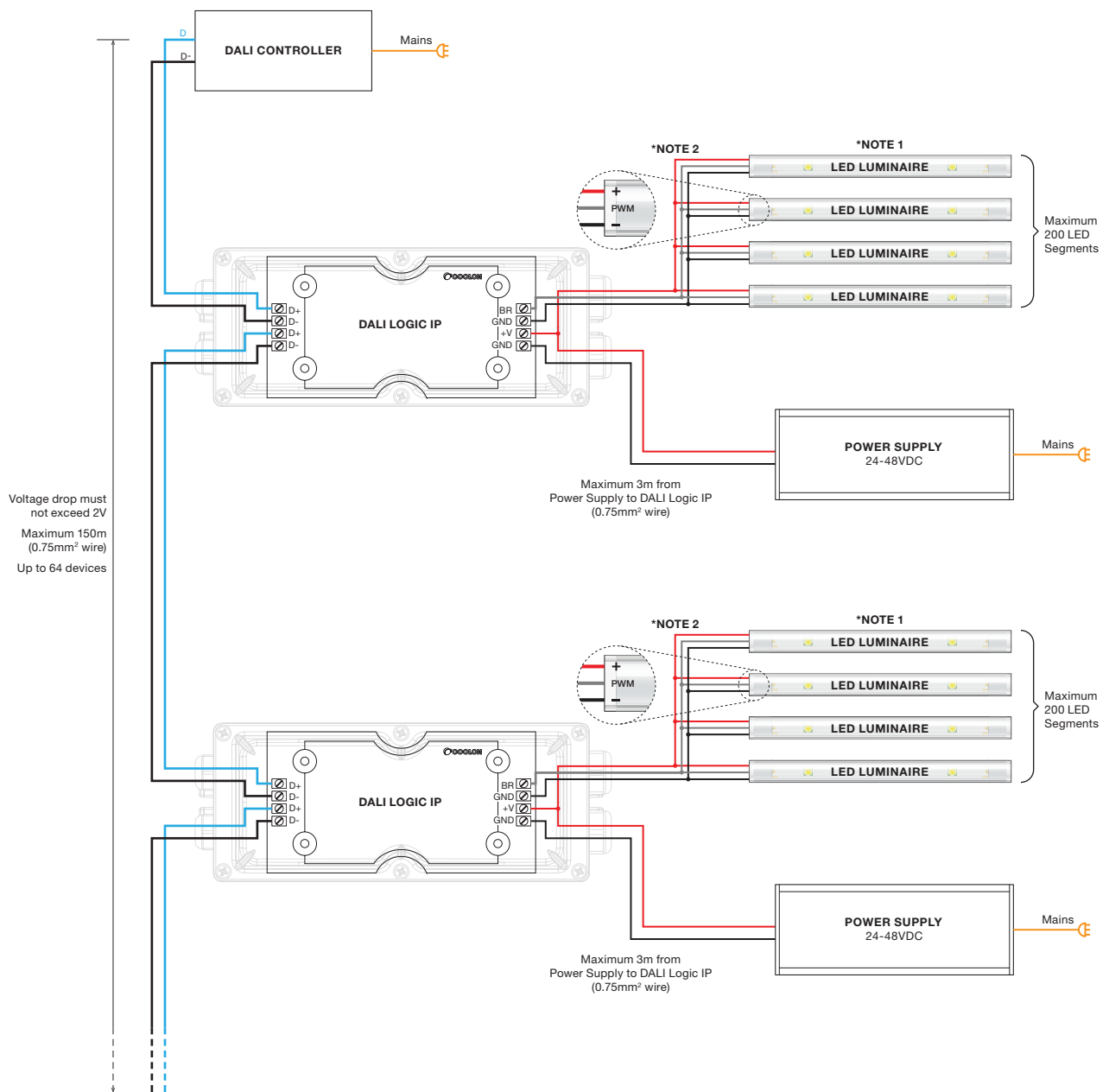


STEP 3

The enclosure becomes IP65 when the cable glands are sealed.



■ WIRING DIAGRAM



- *NOTE 1 DO NOT EXCEED maximum single of each luminaire check individual product specifications for run length.
- *NOTE 2 Maximum overall distance from power supply to strips **MUST NOT EXCEED** 15 metres if AWG13 or 1.83mm² cable is used.