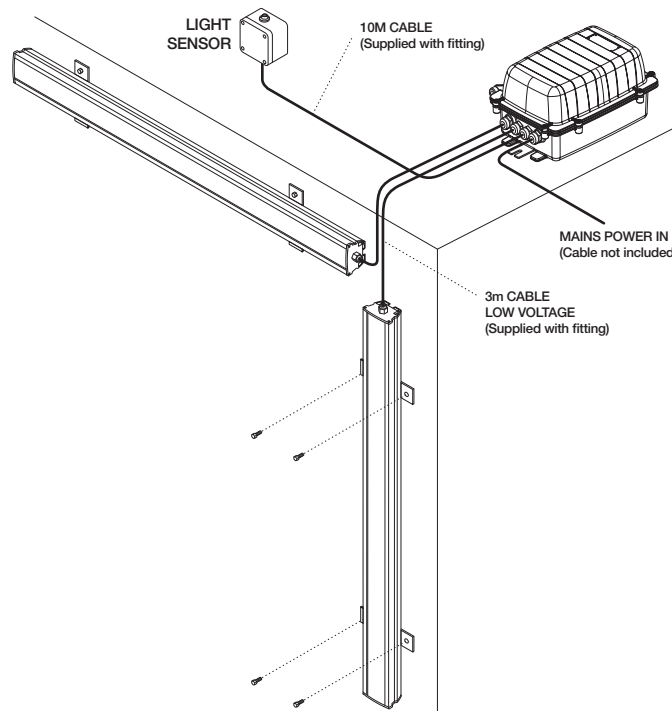


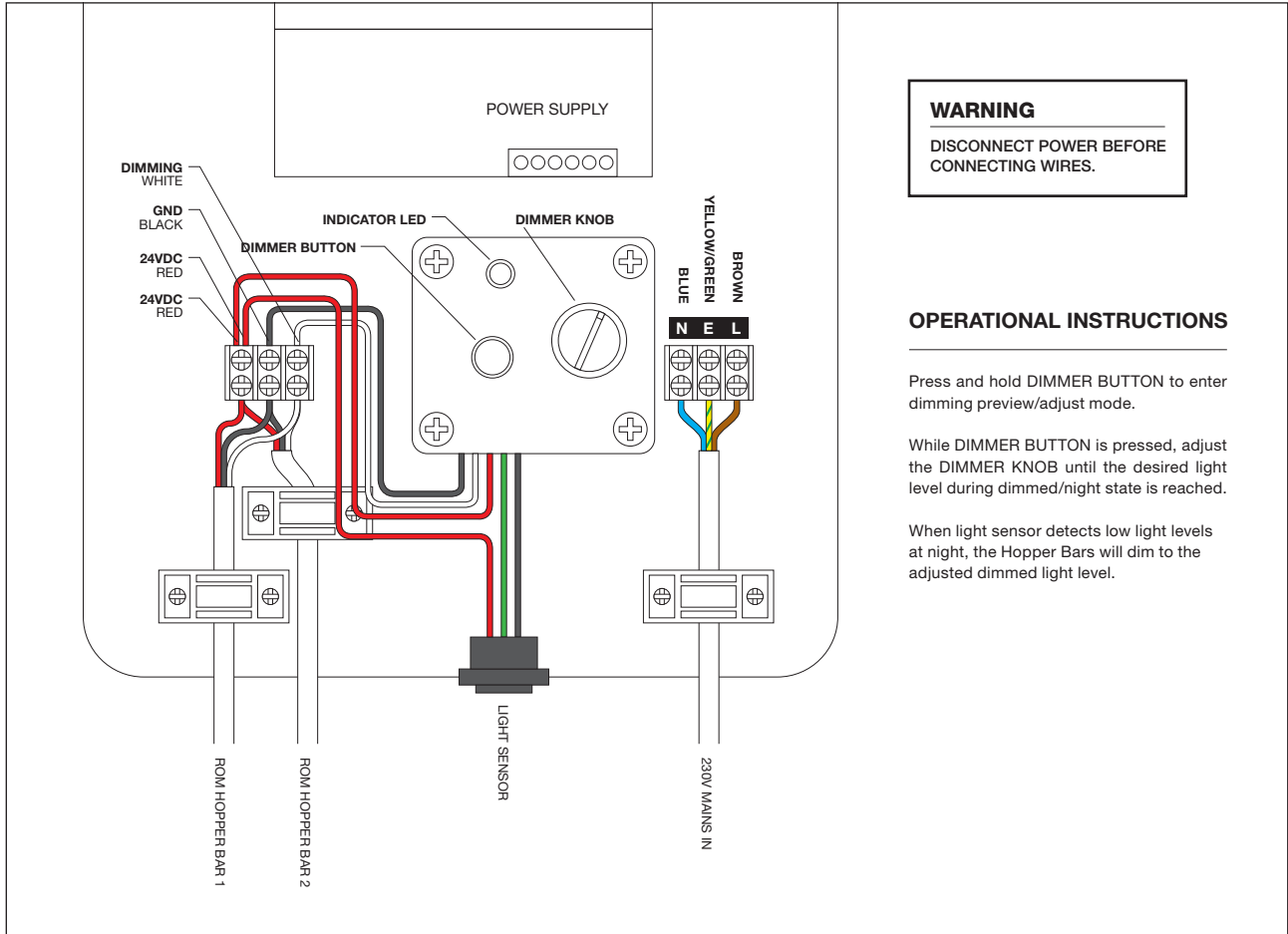
**INSTALLATION INSTRUCTIONS**

Mount light bars/light sensor and connect to power supply. Please see next page for a detailed power supply wiring diagram.



**INSTALLATION INSTRUCTIONS (continued)**

The Rom Hopper LED Bars are designed to operate at full brightness during the day and then lower to a dimmed state at night in order to reduce discomfort glare.



**WARNING**  
DISCONNECT POWER BEFORE CONNECTING WIRES.

**OPERATIONAL INSTRUCTIONS**

Press and hold DIMMER BUTTON to enter dimming preview/adjust mode.

While DIMMER BUTTON is pressed, adjust the DIMMER KNOB until the desired light level during dimmed/night state is reached.

When light sensor detects low light levels at night, the Hopper Bars will dim to the adjusted dimmed light level.