



EMERGENCY PACK



LOW SUSCEPTIBILITY TO VIBRATION

The Emergency Pack is designed to handle continuous exposure to vibration. Designed specifically to be mounted away from the luminaire to minimize the weight of the luminaire and effects of mechanical shock and vibration.



INDUSTRIAL GRADE FINISHINGS

We source the finest alloys and surface treatments to ensure our product provides superior performance all year round in all weather conditions.



EXTENSIVE FACTORY WARRANTY

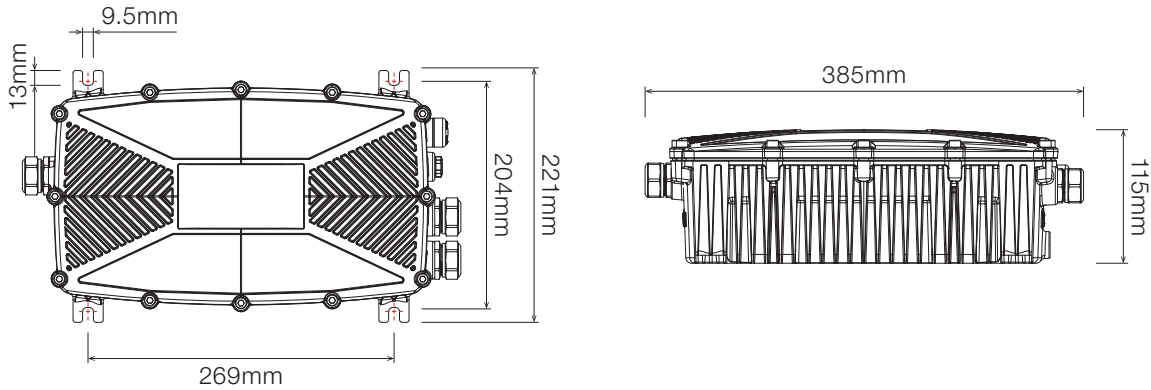
Coolon Products are covered by a comprehensible manufacturer's warranty that covers a range of possible defects and performance parameters throughout the duration of the warranty period.



PROUDLY MADE IN AUSTRALIA

Engineered to perfection, using only the highest quality components and highly skilled labour, each luminaire is assembled and thoroughly tested to ensure that it exceeds the highest standards.

DIMENSIONS



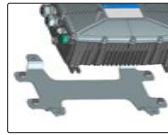
OPTIONAL ACCESSORIES

Optional accessories available separately. Refer to industrial accessories page: coolon.com.au/industrial-led-lighting/accessories or follow the links below to download now.



U-Bolt Pole Mounting Plate

coolon.com.au/dl/ind-acc-u-bolt-pmp



036AL-381AL Adapter Plate

coolon.com.au/dl/ind-acc-036AL-381AL-Adapter-Plate

TECHNICAL SPECIFICATIONS

Make/Model	
Model	Emergency Pack 424
Electrical Characteristics	
Input Power Consumption	62W typ, 97W typ (during charge)
Input Voltage (Nominal)	230VAC single phase
Input Voltage Range	90 – 300VAC
Frequency Range	47 – 63Hz
Power Factor	>0.95 / 230VAC
Battery Chemistry Type	LiFePO ₄
Battery Capacity	84.5 Wh
Battery Working Capacity	50 Wh
Charge Time	16 hours
Output Voltage Typical	24V DC
Output Voltage range (mains powered/ non emergency mode)	24V DC ± 0.5V
Output Voltage range (battery powered/ emergency mode)	23.2 – 30.3V, 25.6 typical (under load)
Output Current (Max)	3A
Output Power	Max 72W (@24V) / Typical EM load <25W
Battery Backup Duration	2 hours after full charge at 25W (@24V) output load
Environmental Characteristics	
IP Rating	IP66
Salt Spray Tested	Yes
Operating Temp. Range	0°C to +50°C ¹
Material Composition (Body)	LM6 Aluminium Alloy (<0.1% copper content)

Input / Output Cable Connections

Input terminal wire cross-section	4mm ² maximum
Input gland cable diameter	8 – 10mm for pre-installed cable gland or according to M25 cable gland selected on-site
Output terminal wire cross-section	4mm ² maximum
Output gland cable diameter	8 – 10mm for pre-installed cable gland or according to M25 cable gland selected on-site

Storage

Temperature	0°C to +50°C
Shelf Life	Up to 12 months @ 20±5°C ²

Weight/Packaging

Unit Dimensions	382 x 221 x 115mm
Unit Weight	5.8kg

Warranty

Warranty	3 years warranty as standard
----------	------------------------------

Notes

Readings taken while test unit operating in steady state. Ambient temperature during testing is typically 25°C. Induced voltage on the Control wire should be no greater than 10V. Individual unit behavior may differ due to electronic component tolerances and ambient conditions. Product parameters and application suitability shall be checked by the user prior to commissioning.

¹ Units exposed to direct sunlight can reach temperatures above 50°C. Ensure in field units are shielded from direct sunlight.

² Shelf life time with Battery Switch in OFF position is defined as time since product dispatch from Coolon, or since last charge cycle. Storage temperatures outside of 20±5°C but within the prescribed storage temperature limit will result in a decreased product shelf life of up to 6 months.

ORDERING EXAMPLE

EMP - 424 - 381AL

PRODUCT TYPE ENCLOSURE

PRODUCT	TYPE	ENCLOSURE
EMP Emergency Pack	424 24VDC / 84.5Wh	381AL Aluminium Alloy Enclosure (<0.1% copper content)