



 COOLON

# CP34

140W LED Flood Light

High performing, mains-powered LED flood light with remote power supply

CP34 is ideally suited for most situations where bulb maintenance is difficult. Its power supply unit can be positioned separately for easy maintenance.

Designed and manufactured in Australia using only the highest quality components, the CP34 LED Luminaire is designed specifically for industrial applications where reliability and performance are paramount.

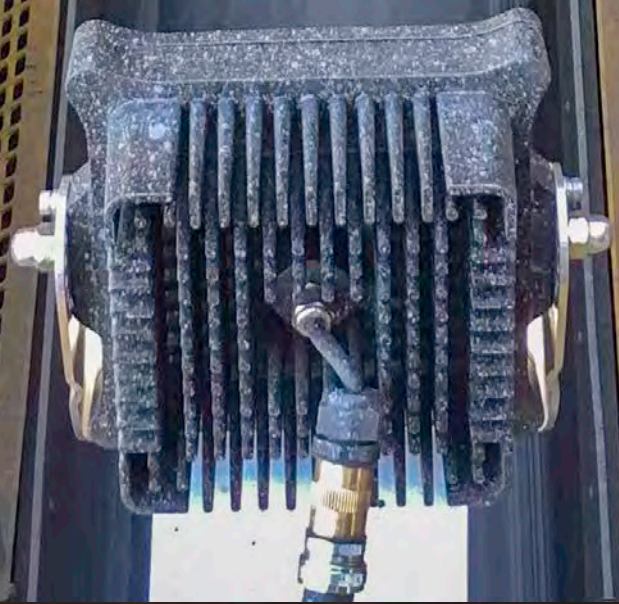
**Designed for use in:**

- Area Lighting
- Car Parks
- Processing Plants
- ROM Pads
- Wash Pads
- Workshops
- Load In / Out

 DESIGNED &  
MANUFACTURED  
IN AUSTRALIA

## Raw power for the harshest environments

The CP34 is a 140W LED Flood light designed for the harshest environments and provides unrivaled reliability and performance, critical for demanding applications.



## Built to last

Unlike conventional LED floodlights, the CP34 was designed to withstand constant abuse.

- Resistant to Vibration
- Impact and Shock Proof
- High Pressure Washable
- Unaffected by Severe Temperature Variations



### COOL SURFACE TEMPERATURE

Coolon's Industrial LED fittings have a much lower surface temperature than traditional HID equivalents which prevents dirt from baking onto the luminaire. This allows for easier cleaning and will prolong the lifespan of the luminaire.



### NO FLICKERING

LED luminaires run on constant low voltage DC power and do not produce any visible stroboscopic effects, thus reducing the strain on eyes and significantly improving safety in areas where moving machinery is present.



### UNRESTRICTED BURNING POSITION

Coolon's LED luminaires can be positioned and oriented in any desired way without affecting the lifespan of the product. This gives greater flexibility when it comes to aiming angles and orientation.



### 3 YEARS FACTORY WARRANTY

Coolon Luminaires are covered by a solid comprehensible manufacturer's warranty that covers a range of possible defects and performance parameters throughout the duration of the warranty period.



### INSTANT ON/OFF

LEDs do not require warm up. Instant on to 100% output translates to no downtime, improved safety and the ability to utilize sensor switching to significantly save energy.



### HIGH IP RATING - IP66

Coolon's Industrial LEDs are designed specifically to withstand the harsh conditions in mining environments. The robust design allows our LED products to be used in many different applications and are high pressure washable.



### EXTRA LOW VOLTAGE OPERATION

Our products operate on extra low voltage DC power. It is substantially safer to work with than conventional mains powered light sources.

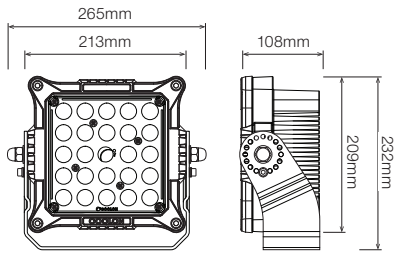


### PROUDLY MADE IN AUSTRALIA

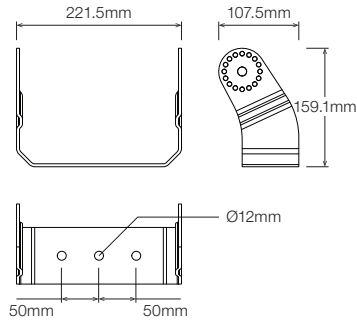
Engineered to perfection, using only the highest quality components and highly skilled labour, each luminaire is assembled and thoroughly tested to ensure that it exceeds the highest standards.

## DIMENSIONS

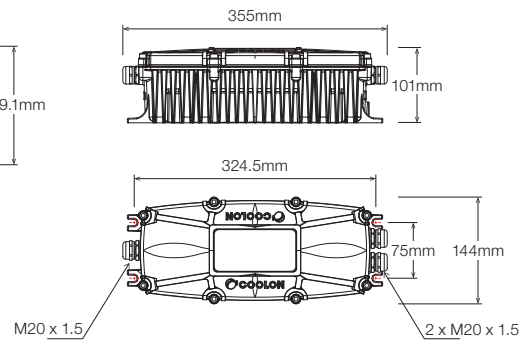
CP34 Luminaire



FPB Fixed Plant Bracket



281AL Aluminium Enclosure



## TECHNICAL SPECIFICATIONS

<b>Make/Model</b>	CP34 LED Flood Light
Model	CP34
<b>Optical Characteristics</b>	
Luminous Flux (Photometered)	12,931 – 18,053 lm
CCT	CWT
CRI	> 70
<b>Electrical Characteristics (Luminaire &amp; Power Supply)</b>	
Model Part Number	PWR-CLN-150-42-0281AL
Power Consumption	~139.5W @ 230VAC 145W Start Up
Nominal Voltage	230VAC
Voltage Range	90 – 277 VAC / 127 – 390VDC
Frequency Range	47 – 63Hz
Power Factor	>0.95 / 230VAC
Leakage Current	<0.75mA / 277VAC
Withstand Voltage*	I/P-O/P:3.75kVAC I/P-FG:6kVAC O/P-FG:1.5kVAC
Isolation Resistance	I/P-O/P, I/P-FG, O/P-FG:100M Ohms / 500VDC / 25°C / 70% RH
Power In/Out Cable Gland Diameter	M20 x 1.5 **
Luminaire Cable	UL2464, 16 AWG x 2C, UV Stable PVC, Braid
Luminaire Cable Diameter	7.5mm
Luminaire Cable Length	3m

<b>Environmental</b>	
IP Rating	IP66
Impact Rating	IK09
Expected Lifespan	50,000 Hours to 70% Brightness
Operating Temp. Range	-20 to +50°C
Material Composition (Body)	Aluminium Alloy (Anodised and E-Coated)
Material Composition (Bracket)	Stainless Steel 304
Material Composition (Optics)	PC
Material Composition (Cover)	Tempered Glass
Mounting/Bracket Type	Fix Plant Mount

<b>Weight/Packaging (CP34)</b>	
Luminaire Weight	5.1kg
Packaging Dimensions	280 x 280 x 140mm
Packaged Weight	5.5kg

<b>Weight/Packaging (Power Supply)</b>	
Unit Weight	5kg
Packaging Dimensions	350 x 155 x 125mm
Packaged Weight	5.2kg

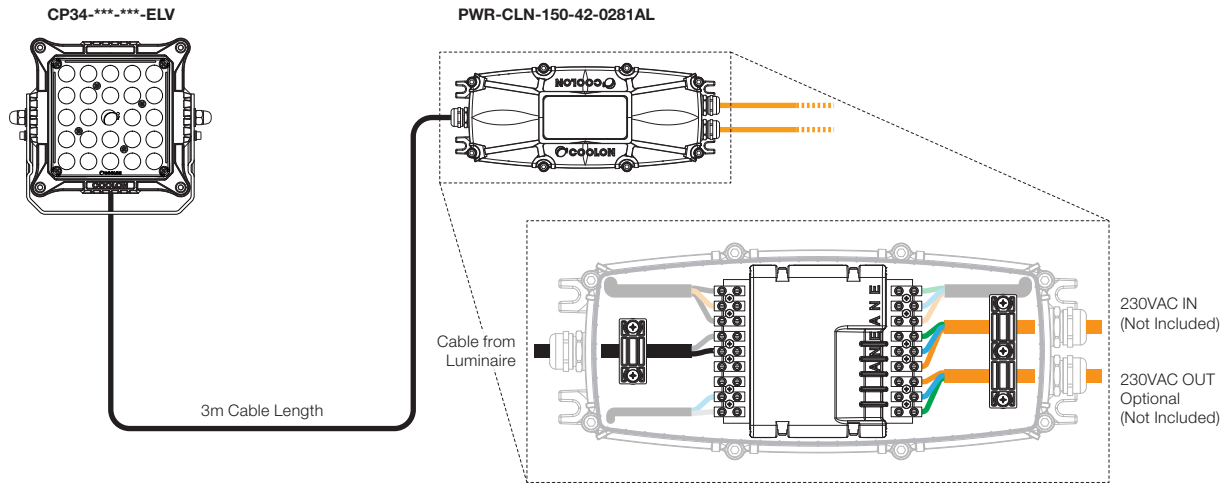
<b>Warranty</b>	
Warranty	3 years warranty as standard 5 years extended warranty optional

<sup>1</sup> Reading taken while test unit operating in steady state. Ambient temperature during testing is typically 25°C. Individual unit behaviour may differ due to electronic component tolerance and ambient conditions. Product parameters and application suitability shall be checked by the user prior to commissioning.

\* Optional 10kV surge protection power supply available (PWR-CLN-150-42-0281AL-10kV) with the WPS2 kit.

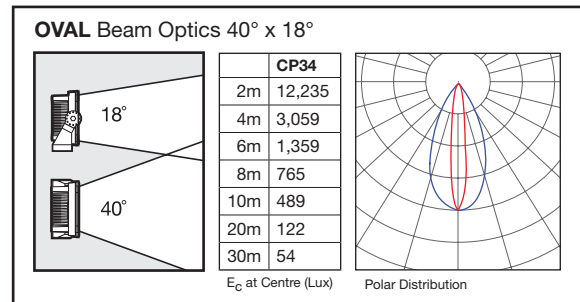
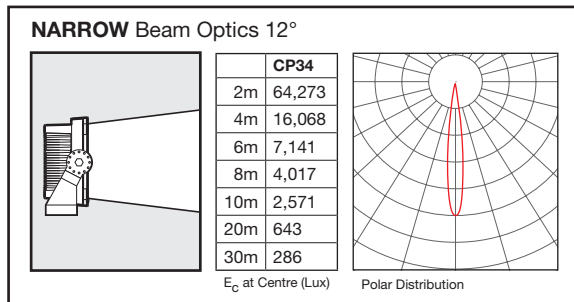
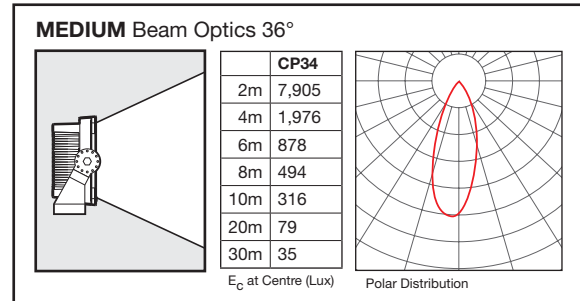
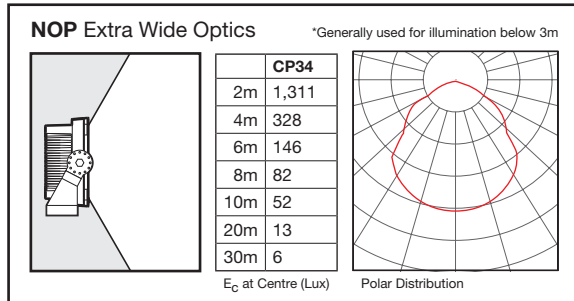
\*\* Power in/out cable glands not included.

## CP34 KIT CONFIGURATION



Distance between the power supply and luminaire can be extended up to 15m. The voltage drop on the cable must not exceed 2V.

## CP34 ILLUMINANCE AT DISTANCE



## ORDERING EXAMPLE

### CP34 - CWT - MEDIUM - FPB - WPS

PRODUCT      COLOUR TEMPERATURE      OPTICS      MOUNTING      SUPPLY OPTION

PRODUCT	COLOUR TEMPERATURE	OPTICS	MOUNTING	SUPPLY OPTION
CP34	CWT Cool White	NOP Extra Wide Optics	FPB Fixed Plant Bracket	WPS Power supply (6kV protection)
		MEDIUM Medium Optics		WPS2 Power supply (10kV protection)
		NARROW Narrow Optics		
		OVAL Oval Optics		

## ASSOCIATED PRODUCTS

KIT	PART #	DESCRIPTION
WPS	CP34-***-***-ELV	CP34 Luminaire, Extra Low Voltage
	PWR-CLN-150-42-0281AL	Coolon Industrial Power Supply 150W IP66, 42VDC in 281AL Aluminium Enclosure
WPS2	CP34-***-***-ELV	CP34 Luminaire, Extra Low Voltage
	PWR-CLN-150-42-0281AL-10kV	Coolon Industrial Power Supply 150W IP66, 42VDC in 281AL Aluminium Enclosure, 10kV Surge Protection