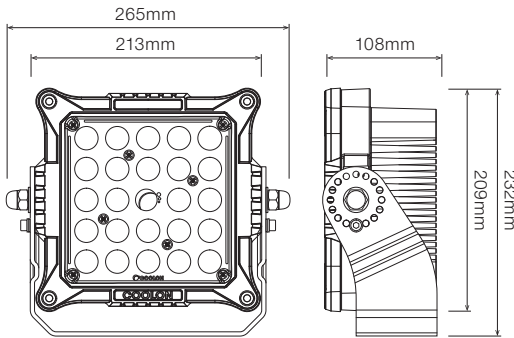
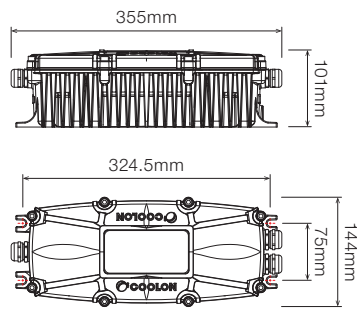


CP34 Luminaire with Fixed Plant Bracket



281AL Aluminium Enclosure



Technical Specifications

VOLTAGE IN
90 – 305VAC 50/60Hz

POWER
140W

IP/IK RATING
IP66 / IK08

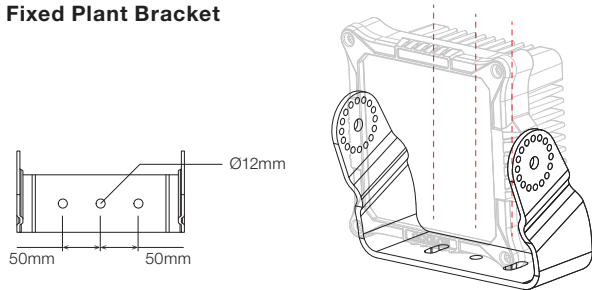
OPERATING TEMPERATURE
-20 to +50°C

MOUNTING BRACKET INSTALLATION

Step 1

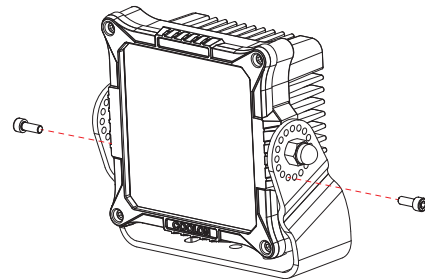
Mount light fitting to appropriate location.

Fixed Plant Bracket



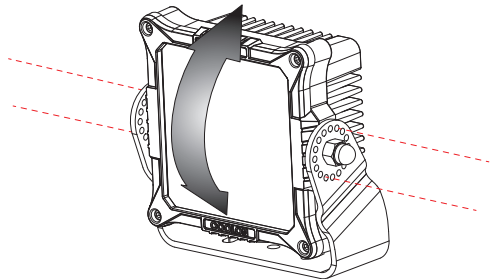
Step 2

To adjust the mounting angle, unscrew bolt and loosen dome nut.



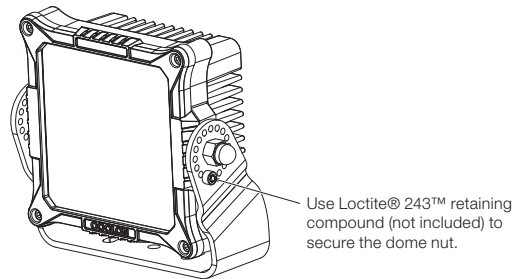
Step 4

Adjust the angle of the light fitting, and line up bracket holes to either the top or bottom mounting holes.

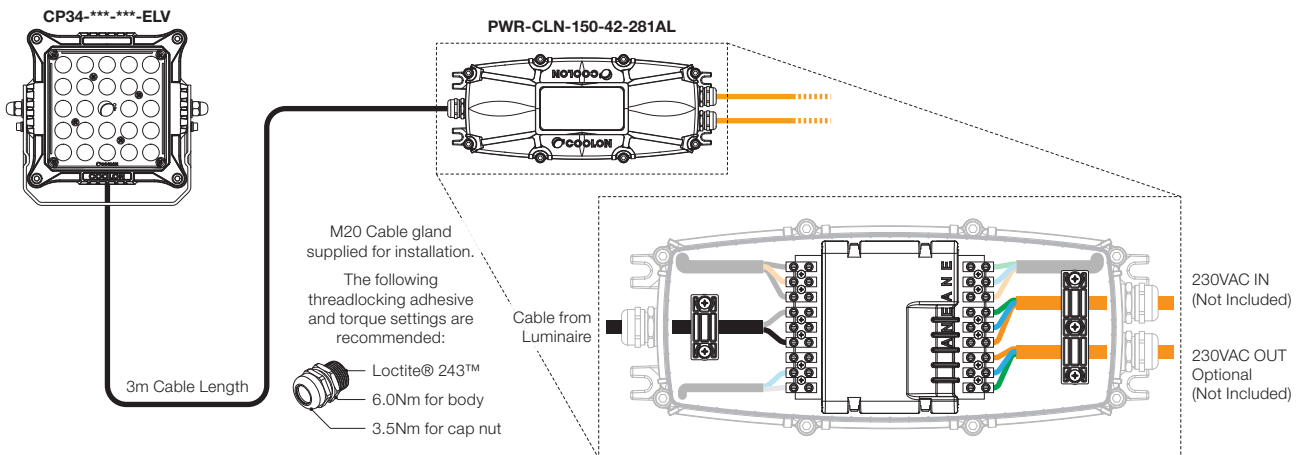


Step 4

Use Loctite® 243™ retaining compound (not included) to secure the dome nut. Screw in and tighten bolts on both sides.



KIT CONFIGURATION



Distance between the power supply and luminaire can be extended up to 15m. The voltage drop on the cable must not exceed 2V. A wiring connection must be made from the input wiring terminal to the loop out terminal where optional loop out is required.