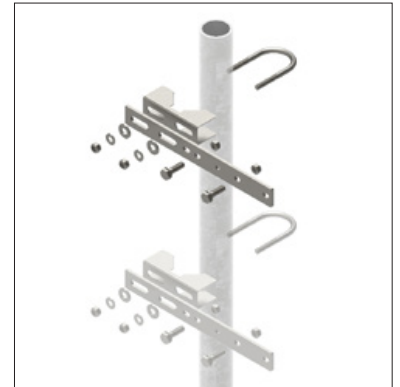
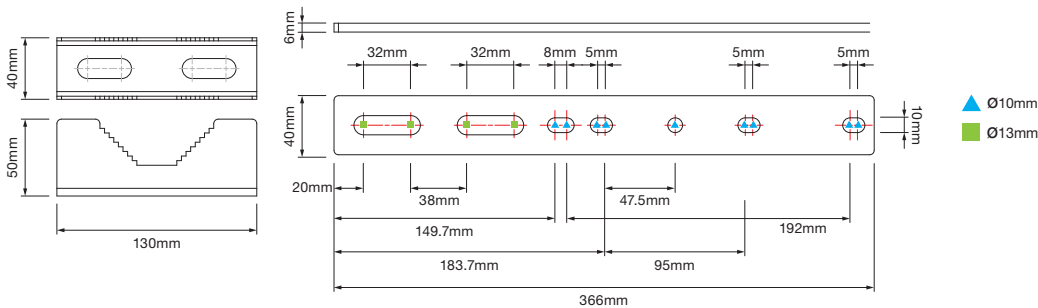




U-BOLT POLE MOUNTING PLATE

Dimensions



Description

The U-Bolt pole mounting kit is specifically designed for mounting products using AL036 enclosure on a variety of poles that are widely used in the industry.

Technical Specifications

Suitable for	EMP-036AL, PWR-CLN-036AL, PWR-CLN-281AL, PWR-CLN-381AL
Mounting	U-Bolt
Weight	1.6kg

Ordering Example

ACC - PMB	- NB40	- PL100	- GAL
PMB Pole Mount Bracket	NB25 To fit DN25 pipe NB40 To fit DN40 pipe NB50 To fit DN50 pipe NB65 To fit DN65 pipe NB80 To fit DN80 pipe 50X50 To fit 50x50 RHS pipe	PL100 Enclosure Mounting Plate	GAL Galvanized steel