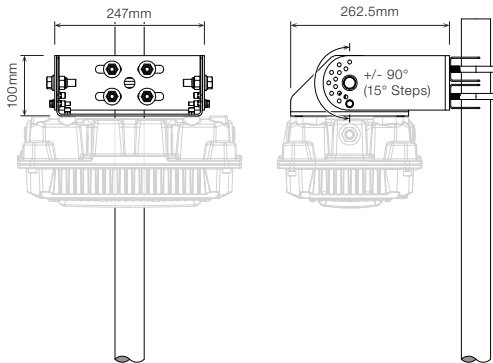


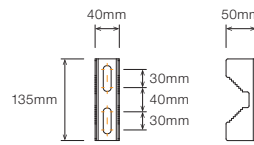


# BULKHEAD ADJUSTABLE BRACKET

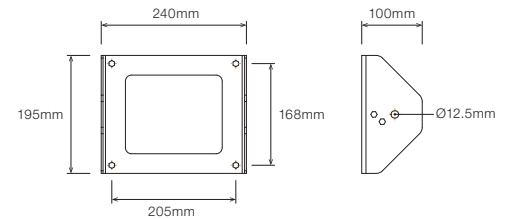
## Dimensions



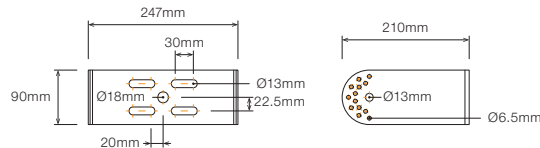
## Pole Mount V-Block Clamp



## Pole Mount Bracket Plate



## Adjustable Bracket



## Description

The Bulkhead Adjustable Bracket is specifically designed for mounting Bulkhead LED Luminaire to a surface or a variety of circular poles with a secure adjustment in 15° increments.

## Technical Specifications

<b>Suitable for</b>	Bulkhead LED Luminaire
<b>Mounting</b>	U-Bolt, Surface Mount
<b>Weight</b>	1.1kg

## Ordering Example

### ACC - BHAB

**BHAB** Bulkhead Adjustable Bracket

### - NB40

**NPMC** No Pole Mounting Clamp (for surface mount applications)

**NB25** To fit DN25 pipe

**NB40** To fit DN40 pipe

**NB50** To fit DN50 pipe

**NB65** To fit DN65 pipe

### - HTS

**HTS** High Tensile Steel