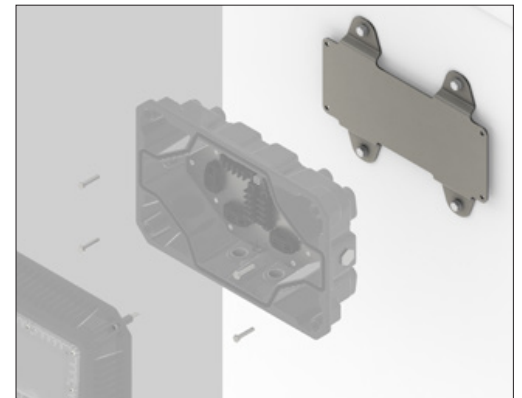
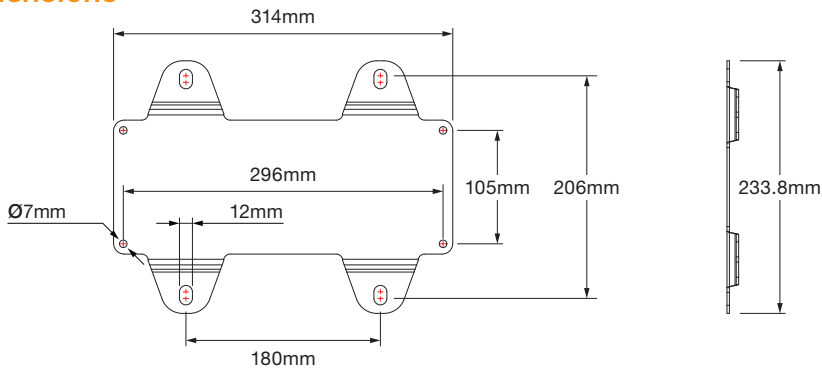




VERSALUX EBH ADAPTER PLATE

Dimensions



Description

Adaptor Plate, to match Versalux EBH and Coolon Bulkhead, 3mm SS 304 #4.

Technical Specifications

Suitable for Mounting	Bulkhead Reccomended M10 x 35mm (minimum) Bolts (not included)
Weight	1.2kg

Ordering Example

ACC - AP AP Adaptor Plate	- VEBH VEBH To fit Versalux EBH	- BH BH Plate to suit Bulkhead	- SS SS 3mm Stainless Steel 304 #4
-------------------------------------	---	--	--