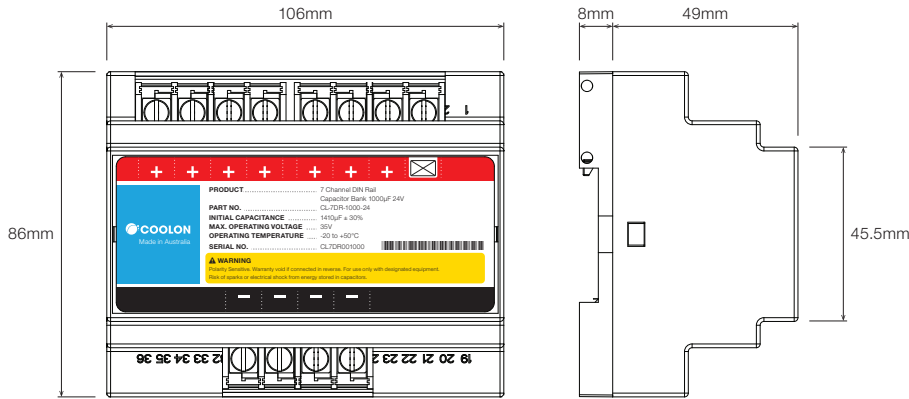


7 Channel DIN Rail Capacitor Bank 1000µF 24V
CL-7DR-1000-24



Electrical Characteristics	
Initial Capacitance	1410µF ± 30%
Max. Operating Voltage	35V
Operating Temperature	-20°C ≤ T _{amb} ≤ 50°C

INSTRUCTIONS

