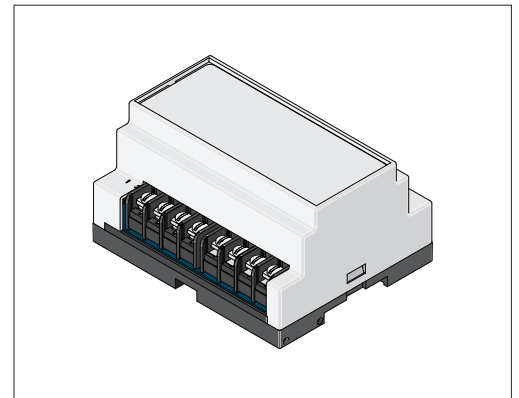
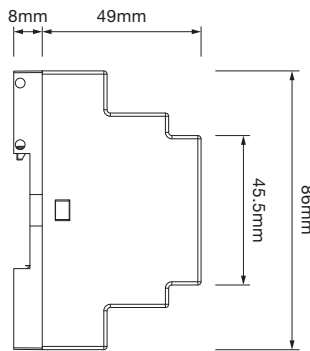
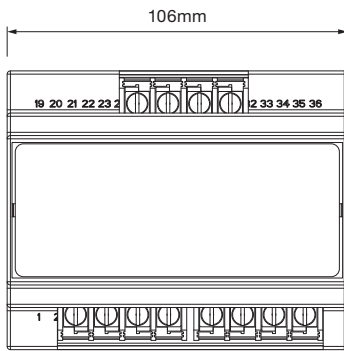




# COOLON 7 CHANNEL DIN RAIL CAPACITOR BANK

## Dimensions



## Description

Eliminate spikes / transients when connecting multiple luminaires to a single DC supply line.

## Technical Specifications

<b>Suitable for</b>	CP56
<b>Mounting</b>	DIN Rail (EN50022)
<b>Weight</b>	0.2kg

## Ordering Example

<b>CL</b>	<b>-</b>	<b>7DR</b>	<b>-</b>	<b>1000</b>	<b>-</b>	<b>24</b>
		7DR 7 Channel DIN Rail		1000 1000µF		24 24V