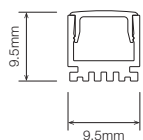




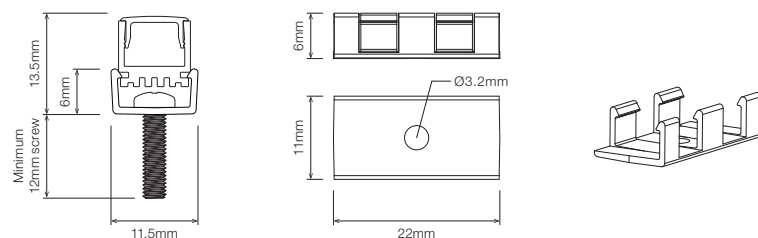
SLIM INSTALLATION INSTRUCTIONS



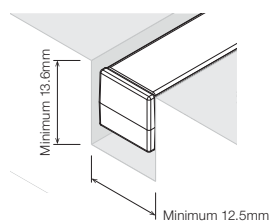
PROFILE DIMENSIONS



DIMENSIONS WITH MOUNTING CLIP



RECOMMENDED REBATE



WIRING OPTIONS

2 wires (RB) – Indoor only.



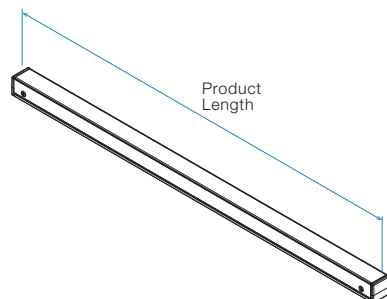
⚠ ATTENTION

- Please observe / follow the instructions methodically.
- Please ensure the units are handled with extreme care.
- Do not remove LED strips from packaging prematurely. Only remove from packaging when ready for installation.
- Failure to observe installation instructions and handling will void warranty of the product.

STEP 1

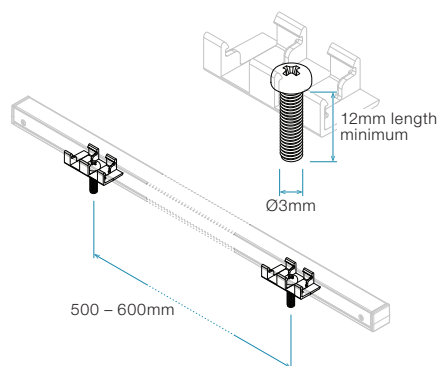
Before you begin installation, ensure that you understand the fitting layout required as supplied fitting lengths may vary.

Refer to the supplied cut sheet for length breakdowns.



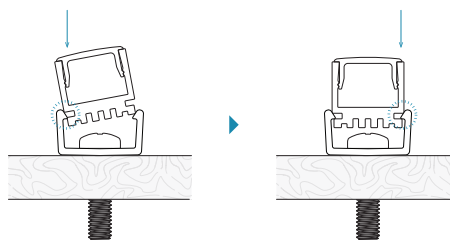
STEP 2

Prepare mounting clips and screws (Ø3mm with a minimum length of 12mm). Secure mounting clips with screws on timber or metal surface ensuring that mounting clips are straight with spacings of 500 – 600mm.



STEP 3

Tilt LED strip on one edge and secure the other edge by latching LED strip to mounting clips.



STEP 4

Wire the fitting to the correct power supply as advised on the cut sheet.

