



ALTO CL

LED STRIP CHAIN MODULE STR-ALTO CL



Alto CL offers unprecedented flexibility. Short rigid modules with flexible connectors can be individually turned and twisted to achieve the most detailed designs. Its fluid flexibility and creative control make Alto CL the perfect choice for curved cove lighting applications.

Installation has never been so simple.



CURVE RIGID STRIPS WITH EASE



SIMPLIFIED INSTALLATION



**3 OUTPUTS
5W / 10W / 15W PER METRE**



**3 CCTS AVAILABLE
2700K / 3000K / 4000K**

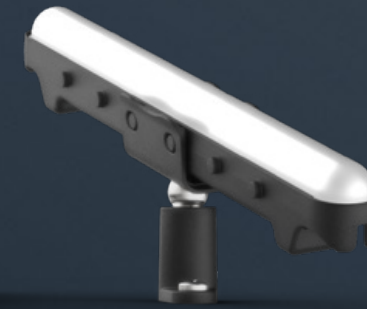
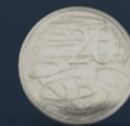
More available on request.



**CHOICE OF WHITE AND
BLACK BODIES**



**100LM PER WATT EFFICACY
L90 = 59,000 HOURS**

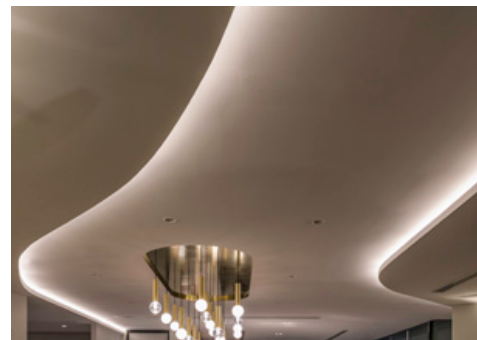


Alto CL is no wider than your thumb allowing it to hide within the smallest of spaces. Utilize a number of accessories to mechanically fix it to any surface or use our magnetic ball clip to aim the luminaire.

Connect up to 14 metres or (80 modules) in a single direction. Or power up to 28 metres (160 modules) when splitting power feed from the middle.

Installation is a piece of cake! Installers love Alto CL. It takes 1/3 – 1/4 of the time to install compared to conventional flexible LED strips. Modules simply connect together with the provided plug and play connector. The integrated connectors are perfect for organic cove applications. Maintenance is also a breeze.





APPLICATIONS

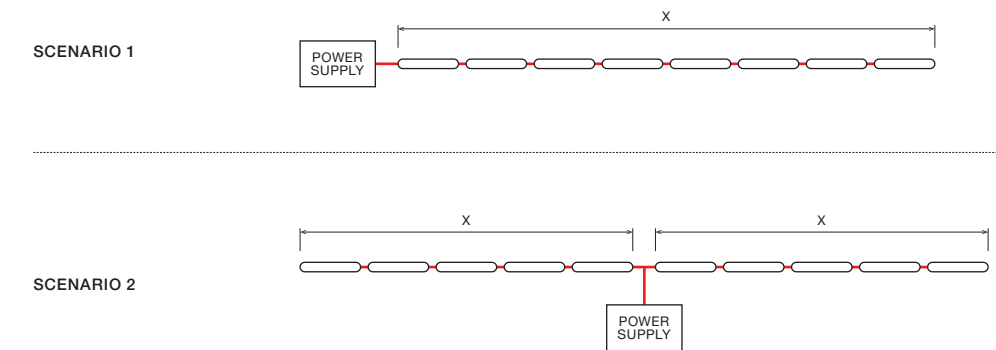
- Cove Lighting
- Floating Ceiling
- Pelmet Lighting
- Organic Architecture

APPROVALS



INSTALLATION

Modules are reverse polarity protected.



5W

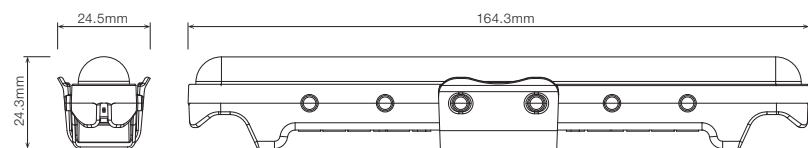
X = 80 Modules
14,400mm max
continuous length

10W

X = 40 Modules
7,200mm max
continuous length

15W

X = 26 Modules
4,680mm max
continuous length



TECHNICAL SPECIFICATIONS

| | 5W VERSION | 10W VERSION | 15W VERSION |
|---|--|-------------------------|-------------------------|
| Product Code | STR-ALTO CL 5W | STR-ALTO CL 10W | STR-ALTO CL 15W |
| Description | LED Strip Chain Module | | |
| Segment Length (S) | 180mm | | |
| Segment Width | 20.5mm | | |
| LED Pitch | 30.0mm | | |
| LEDs Per Segment | 6 | | |
| Operating Voltage | 42VDC | 42VDC | 42VDC |
| Typical Power Consumption per Segment | 0.84W per 180mm Segment | 1.68W per 180mm Segment | 2.52W per 180mm Segment |
| Typical Current | 20mA per 180mm Segment | 40mA per 180mm Segment | 60mA per 180mm Segment |
| Colour Rendering Index (CRI) | 80 (Standard) up to 90 | | |
| Dimmable | Through DRV-DALIPOINT-1X5A, DRV-DALIPOINT-IP-1X10A, or DRV-DIMMERPOINT-1X10A (sold separately) | | |
| Effective Beam Angle | 120° | | |
| External Heatsink Required | No | | |
| Ambient Operating Temp | Ta -10°C to 40°C | | |
| Reported Lumen Maintenance TM21-11 (@ Ts = 55°C, If = 65mA) | L70 (12K) > 72,000 hours L90 (12K) = 59,000 hours | | |
| | Alto CL max. operating values (@ Ts = 40°C, If = 60mA) | | |
| IP Rating | IP20 | | |
| Approvals | CE, CB, RCM | | |
| Max Continuous Connection Length | 14.4m or 80 Segments | 7.20m or 40 Segments | 4.68m or 26 Segments |
| Luminous Flux per Metre (lm/M) | 500 lm/Metre | 1,000 lm/Metre | 1,500 lm/Metre |

• Specified values measured at 2700K, 42VDC

ACCESSORIES

| MOUNTING CLIP | |
|----------------|-------------------------------------|
| MC-STR-CC-BLK | Black Plastic Mounting Clip |
| MC-STR-CC-WHT | White Plastic Mounting Clip |
| MT-CC | Adhesive Double Sided Mounting Tape |
| MC-STR-MBC-BLK | Magnetic Ball Clip Black |
| MC-STR-MBC-WHT | Magnetic Ball Clip White |

¹ One MC-STR-CC / MT-CC / MC-STR-MBC required per segment

| DRIVER | |
|-----------------------|--|
| DRV-DALIPOINT-1X5A | DALI 5 Amps 1 Channel LED Driver |
| DRV-DALIPOINT CV NEO | Outdoor DALI 10 To Amps 1 Channel LED Driver |
| DRV-DIMMERPOINT-1X10A | Rotary Wall-Mount LED Driver |

| POWER SUPPLY FOR OUTDOOR USE (IP67) | |
|-------------------------------------|--|
| PWR-HLG-60H-42AU | Mean Well Power Supply HLG 60W 42V IP67 |
| PWR-HLG-150H-42AU | Mean Well Power Supply HLG 150W 42V IP67 |
| PWR-HLG-240H-42AU | Mean Well Power Supply HLG 240W 42V IP67 |

| CABLE EXTENSIONS | |
|--------------------------|---|
| CBLEXT-STR-WR2-IP40-3M | 3m Cable Extension for Strips 1x Red, 1x Black, 0.75mm ² wire |
| CBLEXT-STR-WR2-IP40-5M | 5m Cable Extension for Strips 1x Red, 1x Black, 0.75mm ² wire |
| CBLEXT-STR-OC2-IP65-0.6M | 0.6m Connector Extension for Strips 1x Red, 1x Black, 0.75mm ² wires |
| CBLEXT-STR-OC2-IP65-3M | 3m Connector Extension for Strips 1x Red, 1x Black, 0.75mm ² wires |
| CBLEXT-STR-OC2-IP65-5M | 5m Connector Extension for Strips 1x Red, 1x Black, 0.75mm ² wires |

STR - ALTO CL - 5W - 3.0K - S1 - BLK - WR2OS - IP20



For detailed product specifications, simply point your phone camera at the QR code



VIEW VIDEO

| WATTAGE | |
|---------|-----------------|
| 5W | 4.6W per Metre |
| 10W | 9.4W per Metre |
| 15W | 14.0W per Metre |

| COLOUR TEMPERATURE | |
|--------------------|--------------|
| 2.7K | 2700K CRI 80 |
| 2.7KCRI | 2700K CRI 90 |
| 3.0K | 3000K CRI 80 |
| 3.0KCRI | 3000K CRI 90 |
| 4.0K | 4000K CRI 80 |
| 4.0KCRI | 4000K CRI 90 |

| PRODUCT LENGTH | | | | | | | |
|----------------|---------|-----|---------|-----|----------|-----|----------|
| S1 | 180mm | S21 | 3,780mm | S41 | 7,380mm | S61 | 10,980mm |
| S2 | 360mm | S22 | 3,960mm | S42 | 7,560mm | S62 | 11,160mm |
| S3 | 540mm | S23 | 4,140mm | S43 | 7,740mm | S63 | 11,340mm |
| S4 | 720mm | S24 | 4,320mm | S44 | 7,920mm | S64 | 11,520mm |
| S5 | 900mm | S25 | 4,500mm | S45 | 8,100mm | S65 | 11,700mm |
| S6 | 1,080mm | S26 | 4,680mm | S46 | 8,280mm | S66 | 11,880mm |
| S7 | 1,260mm | S27 | 4,860mm | S47 | 8,460mm | S67 | 12,060mm |
| S8 | 1,440mm | S28 | 5,040mm | S48 | 8,640mm | S68 | 12,240mm |
| S9 | 1,620mm | S29 | 5,220mm | S49 | 8,820mm | S69 | 12,420mm |
| S10 | 1,800mm | S30 | 5,400mm | S50 | 9,000mm | S70 | 12,600mm |
| S11 | 1,980mm | S31 | 5,580mm | S51 | 9,180mm | S71 | 12,780mm |
| S12 | 2,160mm | S32 | 5,760mm | S52 | 9,360mm | S72 | 12,960mm |
| S13 | 2,340mm | S33 | 5,940mm | S53 | 9,540mm | S73 | 13,140mm |
| S14 | 2,520mm | S34 | 6,120mm | S54 | 9,720mm | S74 | 13,320mm |
| S15 | 2,700mm | S35 | 6,300mm | S55 | 9,900mm | S75 | 13,500mm |
| S16 | 2,880mm | S36 | 6,480mm | S56 | 10,080mm | S76 | 13,680mm |
| S17 | 3,060mm | S37 | 6,660mm | S57 | 10,260mm | S77 | 13,860mm |
| S18 | 3,240mm | S38 | 6,840mm | S58 | 10,440mm | S78 | 14,040mm |
| S19 | 3,420mm | S39 | 7,020mm | S59 | 10,620mm | S79 | 14,220mm |
| S20 | 3,600mm | S40 | 7,200mm | S60 | 10,800mm | S80 | 14,400mm |

| PROFILE COLOUR | |
|----------------|------------------|
| BLK | Black (Standard) |
| WHT | White |

| WIRING CONFIGURATION | |
|----------------------|-----------------------------|
| WR2OS | Wire 2+1 Core One Side |
| SMPLC | Sample Type Connector 2.5mm |

| IP RATING | |
|-----------|------------|
| IP20 | Indoor Use |



12 – 14 Austral Place, Hallam VIC 3803, Australia

PHONE

1300 287 533
+613 8681 3633

EMAIL

archsales@coolon.com.au

WEBSITE

www.coolon.com.au

23.12

All documentation is subject to change without notice. Refer to our website for the latest information.



JOIN US



Search: Coolon LED Lighting