



PLUME 10 DC SW

SPOT LIGHT SPT-PLUME 10 DC SW





Plume 10 DC SW is a compact exterior spotlight engineered for precision accent and detail lighting. Designed to punch above its weight, it utilizes high-performance optics to graze textures, highlight architectural columns, and accentuate landscape features with exceptional control, starting from an ultra-narrow 3° distribution. The unit is powered from an external SELV source, and the inclusion of weatherproof cable extensions and splitters ensures ample layout possibilities. Control via on-board Casambi makes both installation and wireless operation effortless.

POWER (DC)

10W
9.8W



BLK · Black Anodised

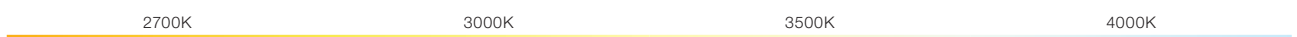


BRS · Brass Anodised



BNA · Brushed Natural Anodised

COLOUR TEMPERATURE



CONTROL OPTIONS

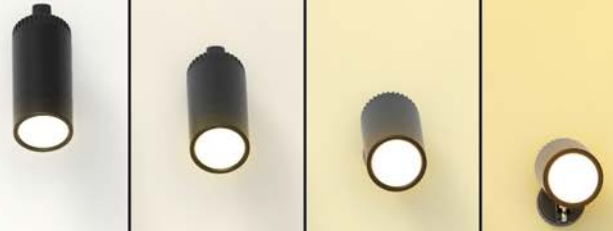


INSTALLATION MANUAL

Scan the QR Code or visit www.coolon.com.au/dl/arch-spt-plume-10-dc-manual

SINGLE WHITE

Plume SW delivers consistent, high-quality white illumination, rendering architectural features in beautiful, true-to-life colours.



CASAMBI

Casambi Bluetooth offers wireless control of the Plume SW. Do away with sophisticated control systems by utilizing a smartphone and Casambi application. Simply set up and control the luminaire as desired.

DALI and DMX supported via external controllers.

L70

LONG OPERATING LIFE

Coolon products use the world's most reputable LED manufacturers and the latest available standards to adequately report lumen maintenance. We strive to drive LEDs under their nominal current and use state-of-the-art heat dissipation methods, leading to durable electronics.



VARIOUS CCT & COLOUR BINNING CONSISTENCY

All products are offered in various colour temperatures, and manufactured using tighter bins, ensuring excellent consistency and uniformity.

5 YEARS

5 YEARS WARRANTY

Coolon luminaires are covered by a solid comprehensive manufacturer's warranty that covers a range of possible defects and performance parameters throughout the duration of the warranty period.



PROUDLY MADE IN AUSTRALIA

Our products are designed and manufactured in Australia. Engineered to perfection, using only the highest quality components and highly skilled labour, each luminaire is assembled and thoroughly tested to ensure that it exceeds the highest standards.

TECHNICAL SPECIFICATIONS

Product Code	SPT- PLUME 10 DC SW
Lumen Output (Neutral White)	374 lm / 10D SC
Nominal Power	9.8W
Description	Plume 10 DC SW Spotlight
Body	Aluminium Alloy Body
Finish	Brushed Natural / Brass / Black Anodised
Cover	Tempered Glass
Endcap	Polycarbonate
LEDs per Luminaire	1 unit / 1 SW LED
Input Voltage Range	23 – 48VDC
Recommended Supply Voltage	48VDC
Max. Input Power	12W
Colour Rendering Index (CRI)	90+
Dimming / Control	Casambi onboard, DALI/DMX supported via external converters
External Heatsink Required	No
Ambient Operating Temperature	Ta -10°C to 50°C
Lumen Maintenance TM21	L90 / B50 (6K) = 13,800 hours L70 / B50 (6K) > 36,300 hours
Max. # of Units per Run	Up to 35 Units @ 48VDC Up to 30 Units @ 42VDC Up to 25 Units @ 30VDC Up to 10 Units @ 24VDC (Ensure distances and loads allow the for operating voltage above 23V)
Approvals	RCM
IP Rating	IP66
IK Rating	IK07 - Not including Wiring / Connector
Weight	543g With No Accessories 735g With SMB · Surface Mounting Bracket 662g With BJMB · Ball Joint Mounting Bracket 706g With SPIKE · Spike Mount 42g Anti Glare Visor



The Bluetooth radio signal from the devices can be limited by its surroundings (In some situations the range of a Bluetooth signal can be dramatically reduced if a device is installed in a metal enclosure, or if thick stone walls or other possible constructional restrictions are affecting the signal strength coming from the device).

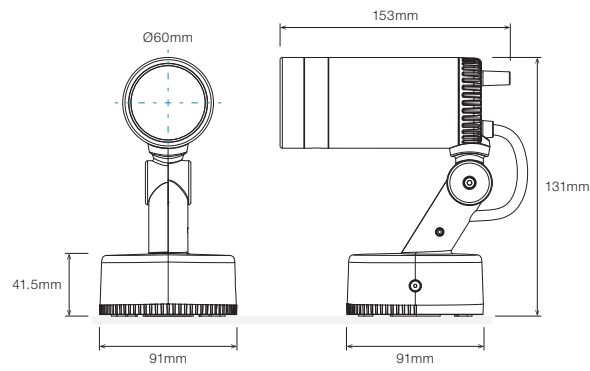
POWER & LUMEN OUTPUT

PLUME 10 DC SW SC	03D	04D	08D	13D	30D	56D	O3511D
■ 3.5KCRI	402 lm	376 lm	374 lm	355 lm	316 lm	338 lm	363 lm
PLUME 10 DC SW HM	03D	04D	08D	13D	30D	56D	O3511D
■ 3.5KCRI	239 lm	234 lm	233 lm	221 lm	197 lm	203 lm	226 lm

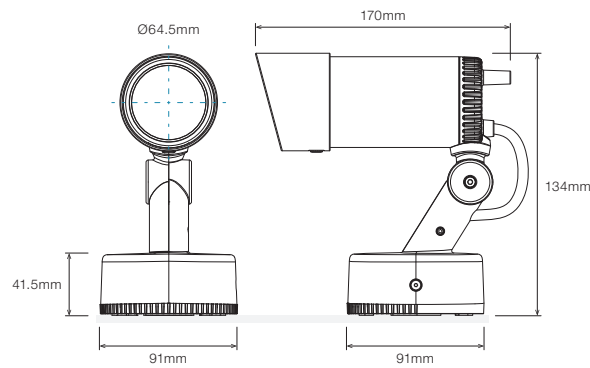


▪ DIMENSIONS

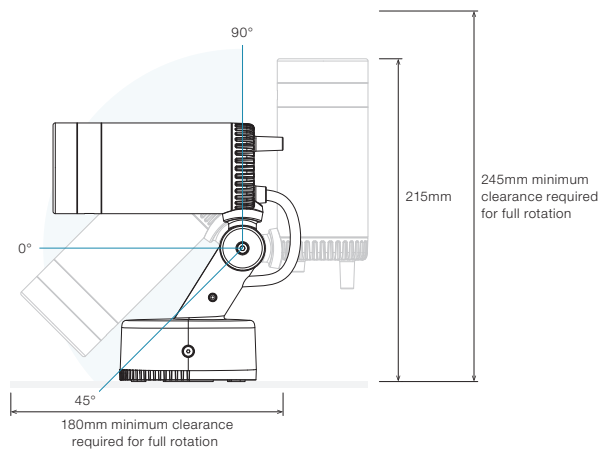
SURFACE MOUNT BRACKET



SURFACE MOUNT BRACKET WITH ANTI GLARE VISOR



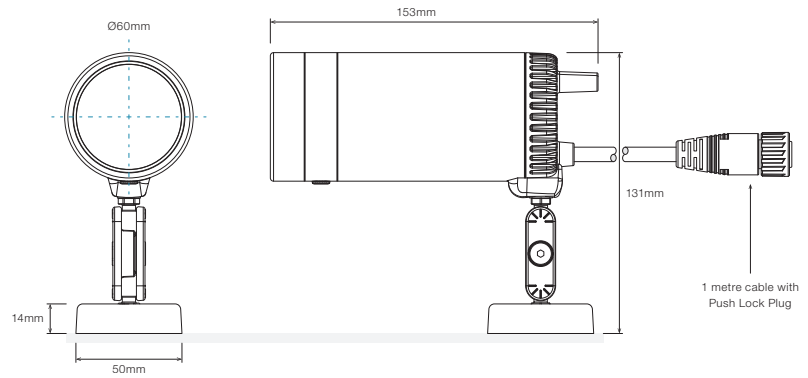
SURFACE MOUNT BRACKET ROTATION



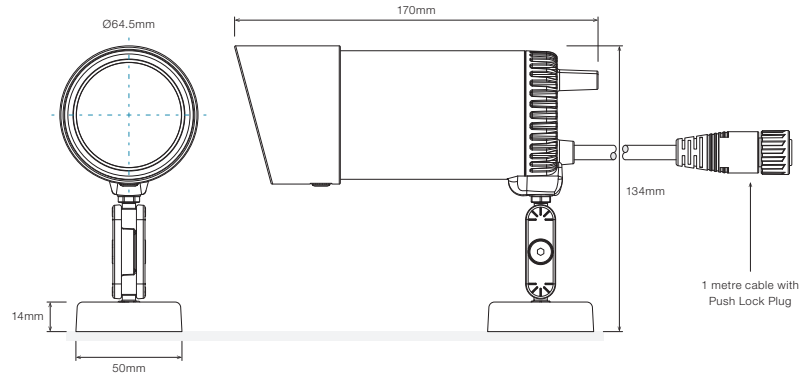


▪ DIMENSIONS

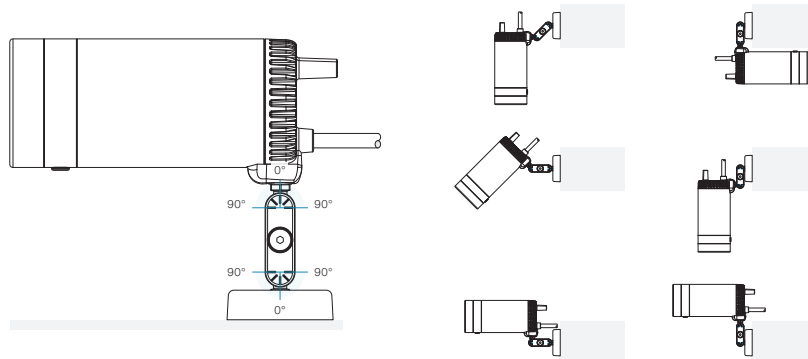
BALL JOINT MOUNTING BRACKET



BALL JOINT MOUNTING BRACKET WITH ANTI GLARE VISOR



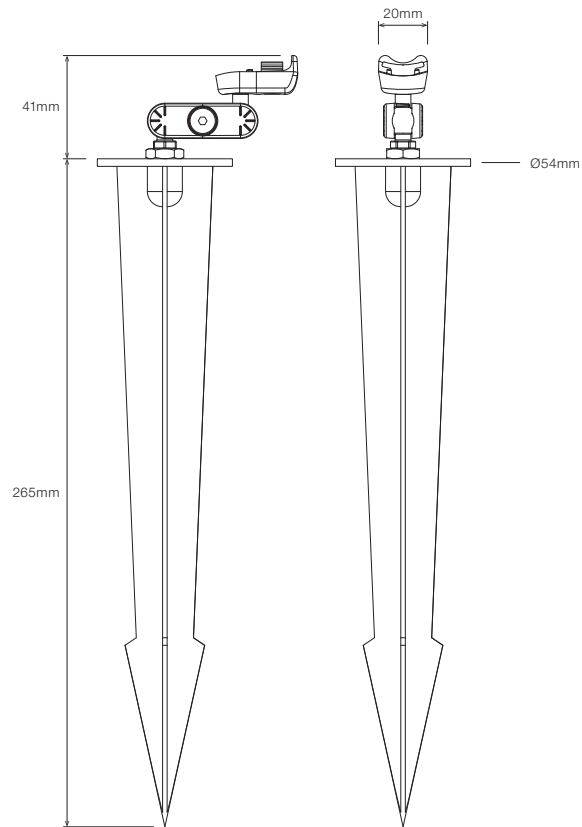
BALL JOINT MOUNTING BRACKET ROTATION



■ DIMENSIONS

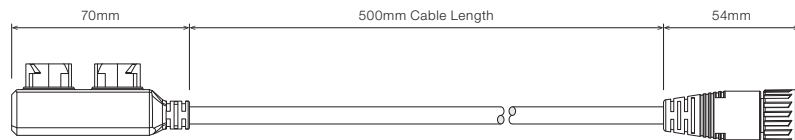
SPIKE MOUNT

ACC-PLUME-SPIKE265-BLK



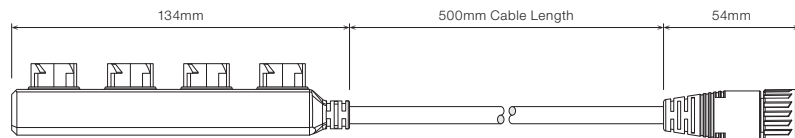
F TYPE SPLITTER 1X IN, 2X OUT

CBL-SPT-OC2_1M2F-DC-SPLJ-IP67-0.5M



F TYPE SPLITTER 1X IN, 4X OUT

CBL-SPT-OC2_1M4F-DC-SPLJ-IP67-0.5M



■ POLAR DISTRIBUTION

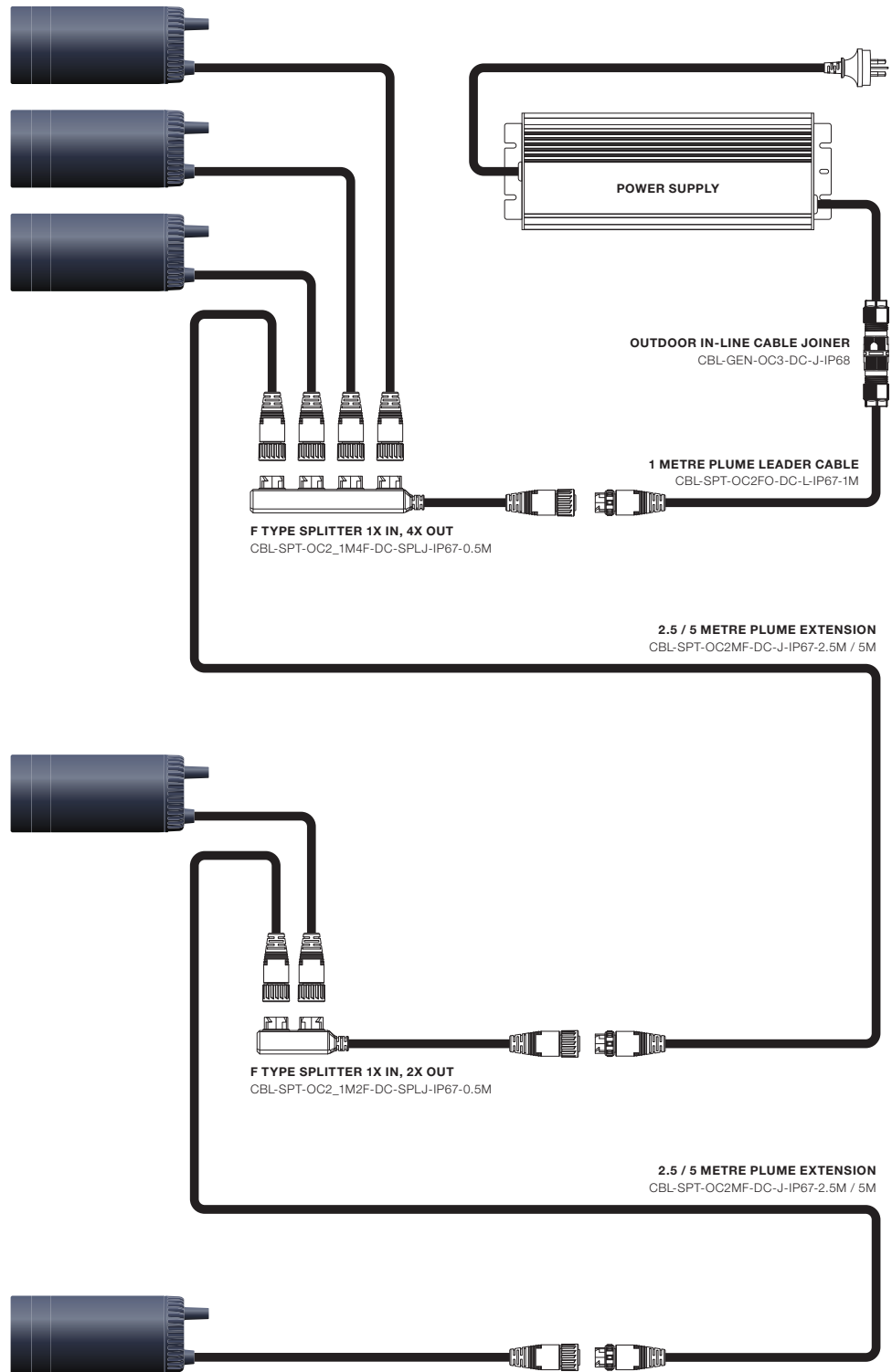
	OPTIC	POLAR DISTRIBUTION
03D Narrow Beam 3° Beam Angle		
04D Narrow Beam 4° Beam Angle		
08D Narrow Beam 8° Beam Angle		
13D Medium Beam 13° Beam Angle		
30D Medium Beam 30° Beam Angle		
56D Wide Beam 56° Beam Angle		
O3511D Oval Beam Oval 35° x 11° Beam Angle		

■ IP RATING

IP66

Fully protected against dust.
Protected against wave-like water jets from all directions.

■ WIRING DIAGRAMS (POWER)



Splitters and extensions can be used as required within the following limits:

DC wiring from power supply to last unit: Up to 20 metres @48V / Up to 5 metres @24V.

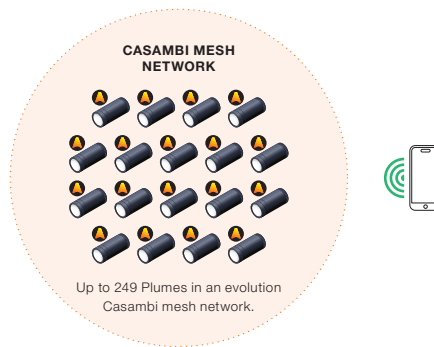
Max. # of units per run: Up to 35 Units @ 48V / Up to 30 Units @ 42V / Up to 25 Units @ 30V / Up to 10 Units @ 24V.

Uncoil all cables. 10A max through current.

Consult Coolon for special wiring requirements.

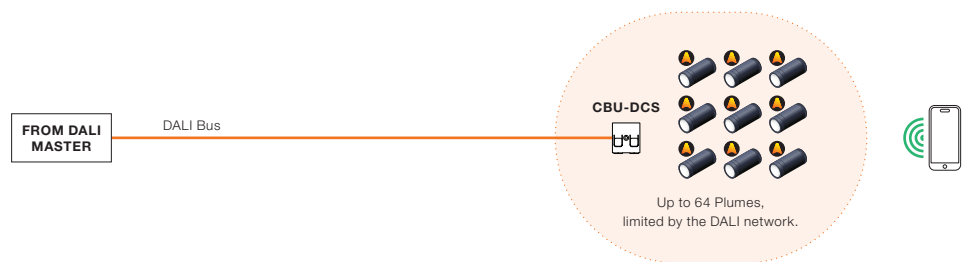
WIRING DIAGRAMS (CONTROL)

CASAMBI INSTALLATION



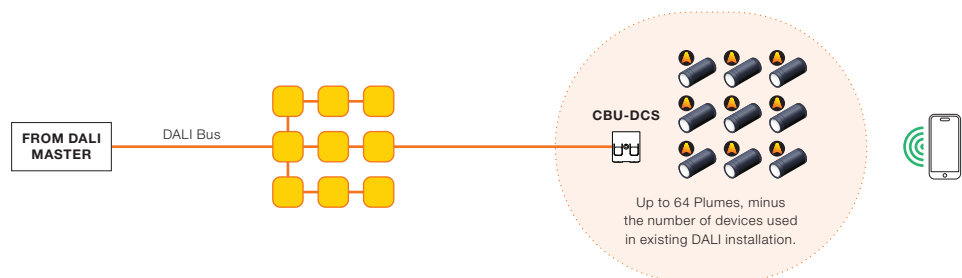
Plume not recommended for Classic Casambi Networks

NEW DALI INSTALLATION



Max total luminaires + input devices is the same for one DALI network (CUBU-DCS not included)

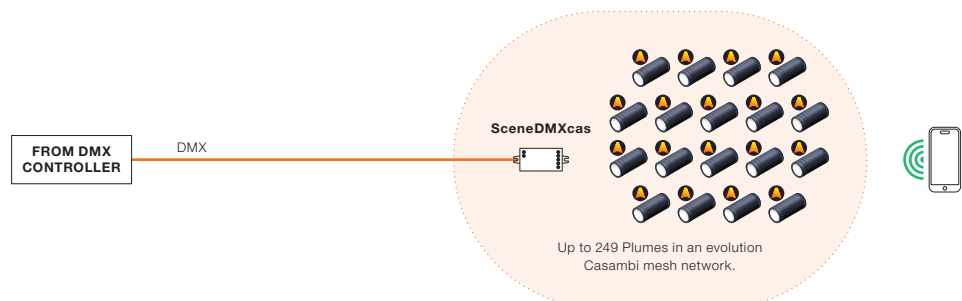
EXPAND EXISTING DALI INSTALLATION



Max total luminaires + input devices is the same for one DALI network (CUBU-DCS not included)

DMX INSTALLATION

DMX as casambi scene trigger



SceneDMXcas provides scene and intensity selection for up to 20 pre-defined Casambi scenes.

The DMX Start Address for each SceneDMXcas is user selectable.

SceneDMXcas can be configured with the Casambi app.

SceneDMXcas requires an external 12 – 24VDC Class 2 power supply.

Please refer to SceneDMXcas documentation for detailed instructions.

ORDERING EXAMPLE

SPT-PLUME 10 DC SW - 3.0KCRI - 30D - HL - BLK - SMB



COLOUR TEMPERATURE

2.7KCRI	2700K
3.0KCRI	3000K
3.5KCRI	3500K
4.0KCRI	4000K

OPTIC

03D	3° Beam
04D	4° Beam
08D	8° Beam
13D	13° Beam
30D	30° Beam
56D	56° Beam
O3511D	Oval 35° x 11° Beam

INTERNAL LOUVRE

SC	Standard Clear
HL	Honeycomb Louvre





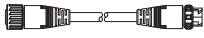

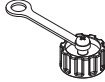
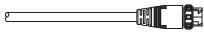


BODY COLOUR

BLK	Black Anodised
BRS	Brass Anodised
BNA	Brushed Natural Anodised

MOUNTING

NA	No Mounting Included
SMB	Surface Mounting Bracket
BJMB	Ball Joint Mounting Bracket
TRMB	Track Mounting Bracket

■ ACCESSORIES

	PRODUCT CODE	DESCRIPTION
ACCESSORIES		
	ACC-PLUME-AGBL	Anti Glare Visor Black
	ACC-PLUME-SPIKE265-BLK	Spike Mount 265mm Long, Black
	CBL-SPT-OC2_1M2F-DC-SPLJ-IP67-0.5M	F Type Splitter 1x IN, 2x OUT
	CBL-SPT-OC2_1M4F-DC-SPLJ-IP67-0.5M	F Type Splitter 1x IN, 4x OUT
	CBL-SPT-OC2MF-DC-J-IP67-2.5M	2.5 metre Plume Extension
	CBL-SPT-OC2MF-DC-J-IP67-5M	5.0 metre Plume Extension
	CBL-SPT-OC_M16-DC-T-IP67	Waterproof Cap
	CBL-SPT-OC2FO-DC-L-IP67-1M	1 metre Plume Leader Cable
	CBL-GEN-OC3-DC-J-IP68	Outdoor In-line Cable Joiner
POWER SUPPLY		
	PWR-HLG-100H-48AU	Mean Well Power Supply HLG 100W 48V IP67
	PWR-HLG-150H-48AU	Mean Well Power Supply HLG 150W 48V IP67
	PWR-HLG-240H-48AU	Mean Well Power Supply HLG 240W 48V IP67
	PWR-HLG-320H-48AU	Mean Well Power Supply HLG 320W 48V IP67
	PWR-HLG-480H-48	Mean Well Power Supply HLG 480W 48V IP67, No AU plug