



# PLUME 10 AC SW

SPOT LIGHT SPT-PLUME 10 AC SW





Plume 10 AC SW is a compact exterior spotlight engineered for precision accent and detail lighting. Designed to punch above its weight, it utilizes high-performance optics to graze textures, highlight architectural columns, and accentuate landscape features with exceptional control, starting from an ultra-narrow 3° distribution. It features an integrated AC power supply and control via on-board Casambi, making installation and wireless operation effortless.

**POWER (AC)**

**10W**  
10W



**BLK** · Black Anodised



**BRS** · Brass Anodised



**BNA** · Brushed Natural Anodised

**COLOUR TEMPERATURE**



**CONTROL OPTIONS**

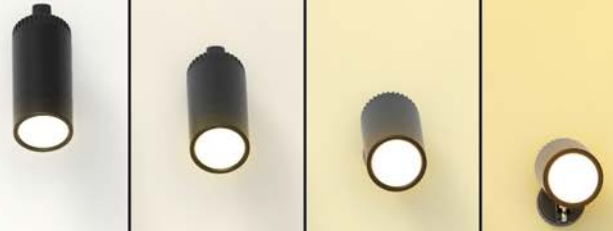


**INSTALLATION MANUAL**

Scan the QR Code or visit [www.coolon.com.au/dl/arch-spt-plume-10-ac-manual](http://www.coolon.com.au/dl/arch-spt-plume-10-ac-manual)

## SINGLE WHITE

Plume SW delivers consistent, high-quality white illumination, rendering architectural features in beautiful, true-to-life colours.



## CASAMBI

Casambi Bluetooth offers wireless control of the Plume SW. Do away with sophisticated control systems by utilizing a smartphone and Casambi application. Simply set up and control the luminaire as desired.

DALI and DMX supported via external controllers.



### LONG OPERATING LIFE

Coolon products use the world's most reputable LED manufacturers and the latest available standards to adequately report lumen maintenance. We strive to drive LEDs under their nominal current and use state-of-the-art heat dissipation methods, leading to durable electronics.



### VARIOUS CCT & COLOUR BINNING CONSISTENCY

All products are offered in various colour temperatures, and manufactured using tighter bins, ensuring excellent consistency and uniformity.



### 5 YEARS WARRANTY

Coolon luminaires are covered by a solid comprehensive manufacturer's warranty that covers a range of possible defects and performance parameters throughout the duration of the warranty period.



### PROUDLY MADE IN AUSTRALIA

Our products are designed and manufactured in Australia. Engineered to perfection, using only the highest quality components and highly skilled labour, each luminaire is assembled and thoroughly tested to ensure that it exceeds the highest standards.

TECHNICAL SPECIFICATIONS

Product Code	SPT- PLUME 10 AC SW
Lumen Output (Neutral White)	348 lm / 10D-SC
Nominal Power	10W
Description	Plume 10 AC SW Spotlight
Body	Aluminium Alloy Body
Finish	Brushed Natural / Brass / Black Anodised
Cover	Glass
Endcap	Polycarbonate
LEDs per Luminaire	1 unit / 1 SW LED
Input Voltage	120 – 250VAC
Input Frequency Range	47 – 63Hz
Inrush Current	Meets NEMA-410 requirements
Leakage Current	< 250 µA @ 250VAC
Max. Input Power	11W
Colour Rendering Index (CRI)	90+
Dimming / Control	Casambi onboard, DALI/DMX supported via external converters
External Heatsink Required	No
Ambient Operating Temperature	Ta -10°C to 50°C
Lumen Maintenance TM21	L90 / B50 (6K) = 13,800 hours L70 / B50 (6K) > 36,300 hours
IP Rating	IP66
IK Rating	IK07 - Not including Wiring / Connectors
Weight	633g With No Accessories 825g With SMB · Surface Mounting Bracket 751g With BJMB · Ball Joint Mounting Bracket 619g With TRMB · Track Mounting Bracket 42g Anti Glare Visor



The Bluetooth radio signal from the devices can be limited by its surroundings (In some situations the range of a Bluetooth signal can be dramatically reduced if a device is installed in a metal enclosure, or if thick stone walls or other possible constructional restrictions are affecting the signal strength coming from the device).

POWER & LUMEN OUTPUT

PLUME 10 AC SW SC	03D	04D	08D	13D	30D	56D	03511D
■ 3.5KCRI	374 lm	371 lm	348 lm	321 lm	291 lm	296 lm	318 lm

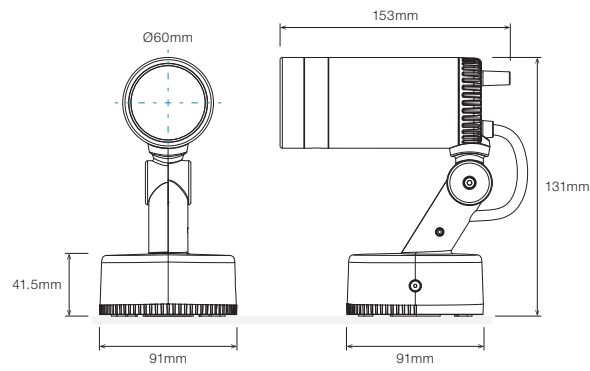
  

PLUME 10 AC SW HM	03D	04D	08D	13D	30D	56D	03511D
■ 3.5KCRI	222 lm	231 lm	216 lm	200 lm	181 lm	182 lm	198 lm

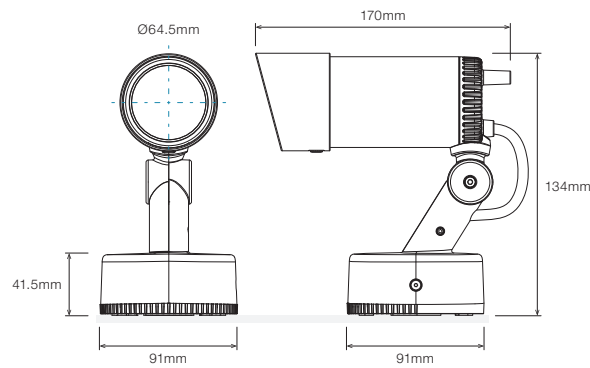


▪ DIMENSIONS

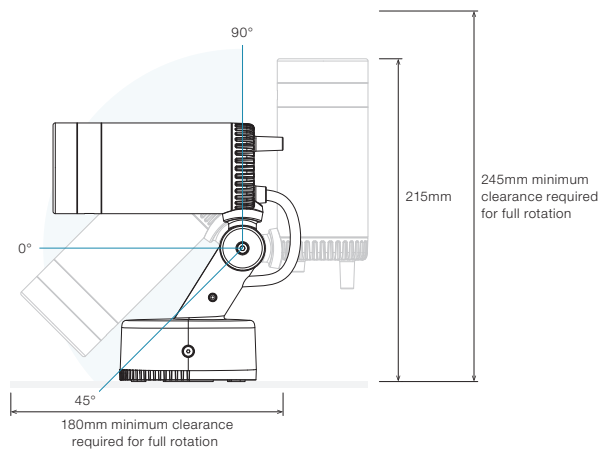
**SURFACE MOUNT BRACKET**



**SURFACE MOUNT BRACKET WITH ANTI GLARE VISOR**



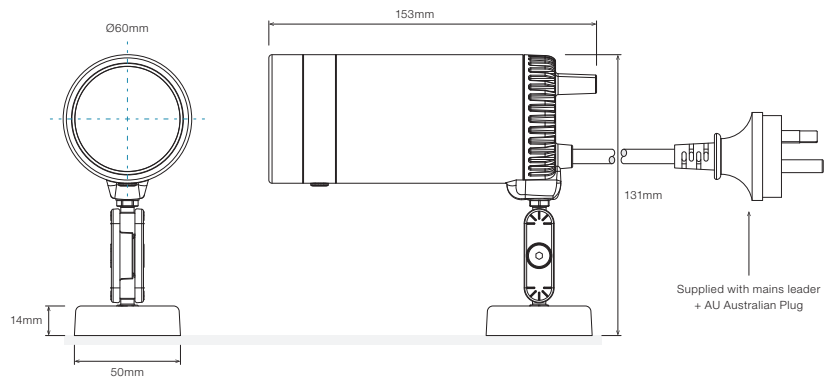
**SURFACE MOUNT BRACKET ROTATION**



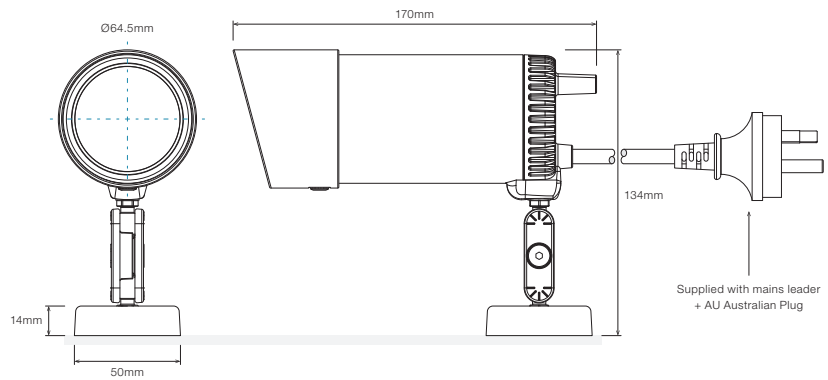


■ DIMENSIONS

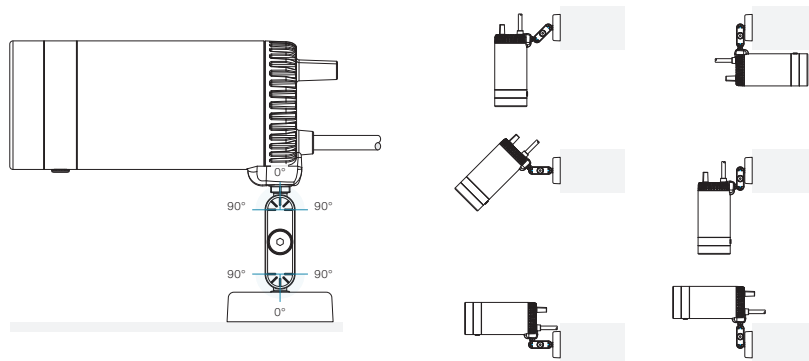
**BALL JOINT MOUNTING BRACKET**



**BALL JOINT MOUNTING BRACKET WITH ANTI GLARE VISOR**



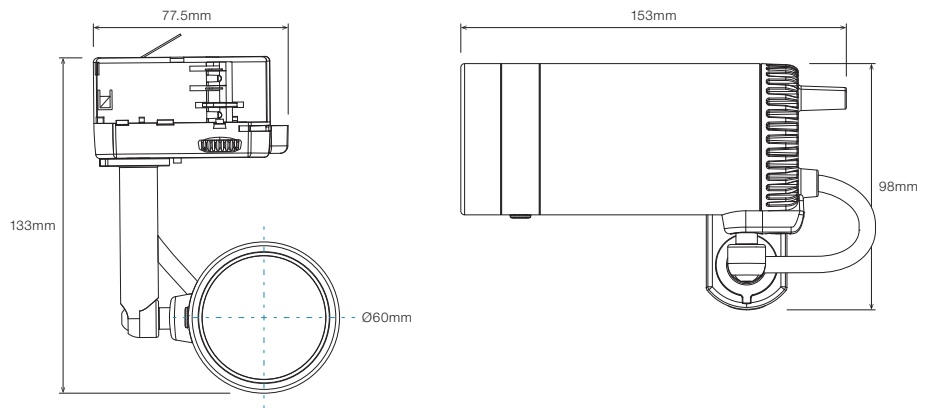
**BALL JOINT MOUNTING BRACKET ROTATION**



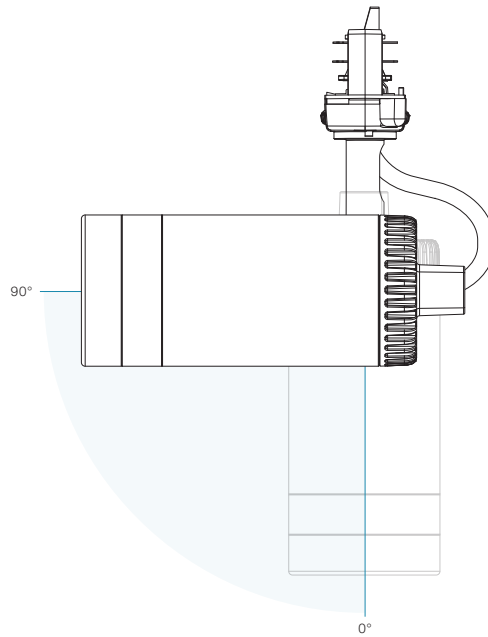


## ■ DIMENSIONS

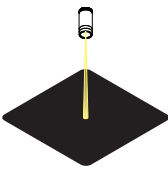
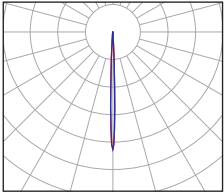
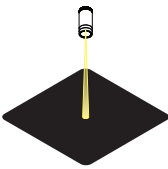
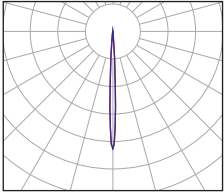
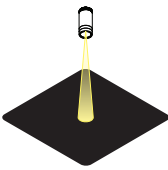
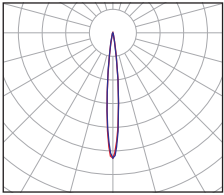
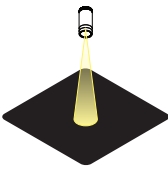
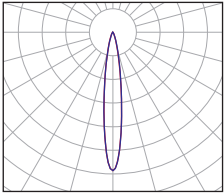
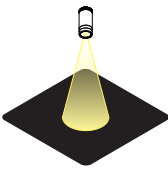
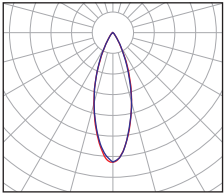
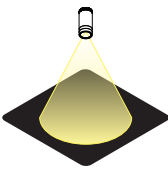
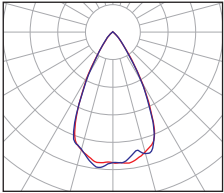
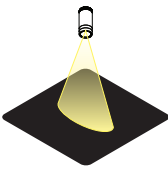
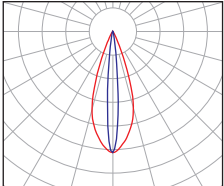
### TRACK MOUNTING BRACKET



### TRACK MOUNTING BRACKET ROTATION



■ POLAR DISTRIBUTION

	OPTIC	POLAR DISTRIBUTION
03D Narrow Beam 3° Beam Angle		
04D Narrow Beam 4° Beam Angle		
08D Narrow Beam 8° Beam Angle		
13D Medium Beam 13° Beam Angle		
30D Medium Beam 30° Beam Angle		
56D Wide Beam 56° Beam Angle		
O3511D Oval Beam Oval 35° x 11° Beam Angle		

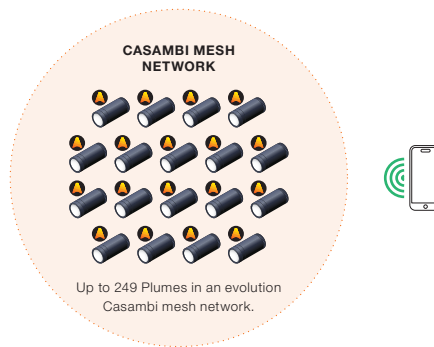
■ IP RATING

**IP66**

Fully protected against dust.  
Protected against wave-like water jets from all directions.

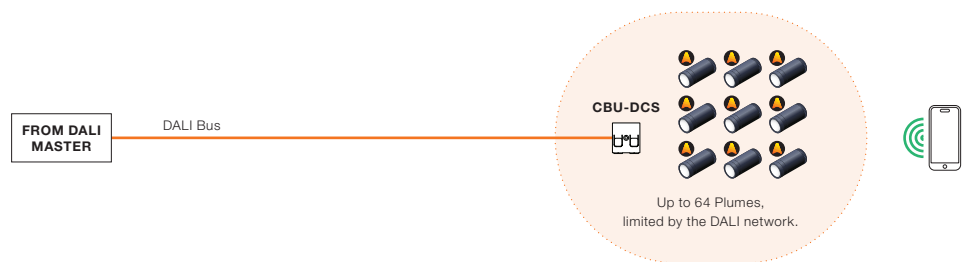
WIRING DIAGRAMS

CASAMBI INSTALLATION



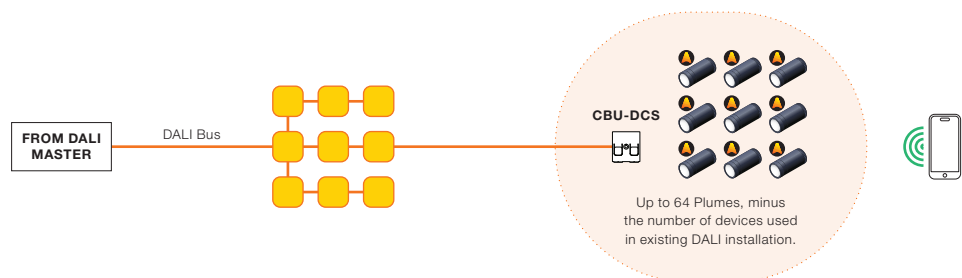
Plume not recommended for Classic Casambi Networks

NEW DALI INSTALLATION



Max total luminaires + input devices is the same for one DALI network (CUBU-DCS not included)

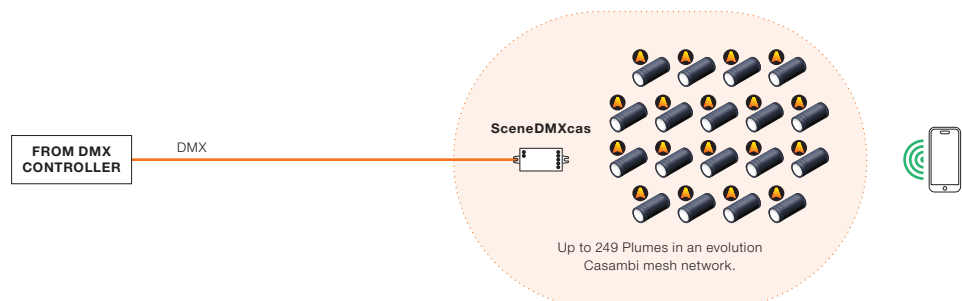
EXPAND EXISTING DALI INSTALLATION



Max total luminaires + input devices is the same for one DALI network (CUBU-DCS not included)

DMX INSTALLATION

DMX as casambi scene trigger



SceneDMXcas provides scene and intensity selection for up to 20 pre-defined Casambi scenes.

The DMX Start Address for each SceneDMXcas is user selectable.

SceneDMXcas can be configured with the Casambi app.

SceneDMXcas requires an external 12 – 24VDC Class 2 power supply.

Please refer to SceneDMXcas documentation for detailed instructions.

ORDERING EXAMPLE

**SPT-PLUME 10 AC SW - 3.0KCRI - 30D - HL - BLK - SMB**



**COLOUR TEMPERATURE**

2.7KCRI	2700K
3.0KCRI	3000K
3.5KCRI	3500K
4.0KCRI	4000K

**OPTIC**

03D	3° Beam
04D	4° Beam
08D	8° Beam
13D	13° Beam
30D	30° Beam
56D	56° Beam
O3511D	Oval 35° x 11° Beam

**INTERNAL LOUVRE**

SC	Standard Clear
HL	Honeycomb Louvre

**BODY COLOUR**

BLK	Black Anodised
BRS	Brass Anodised
BNA	Brushed Natural Anodised

**MOUNTING**

NA	No Mounting Included
SMB	Surface Mounting Bracket
BJMB	Ball Joint Mounting Bracket
TRMB	Track Mounting Bracket

ACCESSORIES

	PRODUCT CODE	DESCRIPTION
<b>ACCESSORIES</b>		
	ACC-PLUME-AGBL	Anti Glare Visor Black