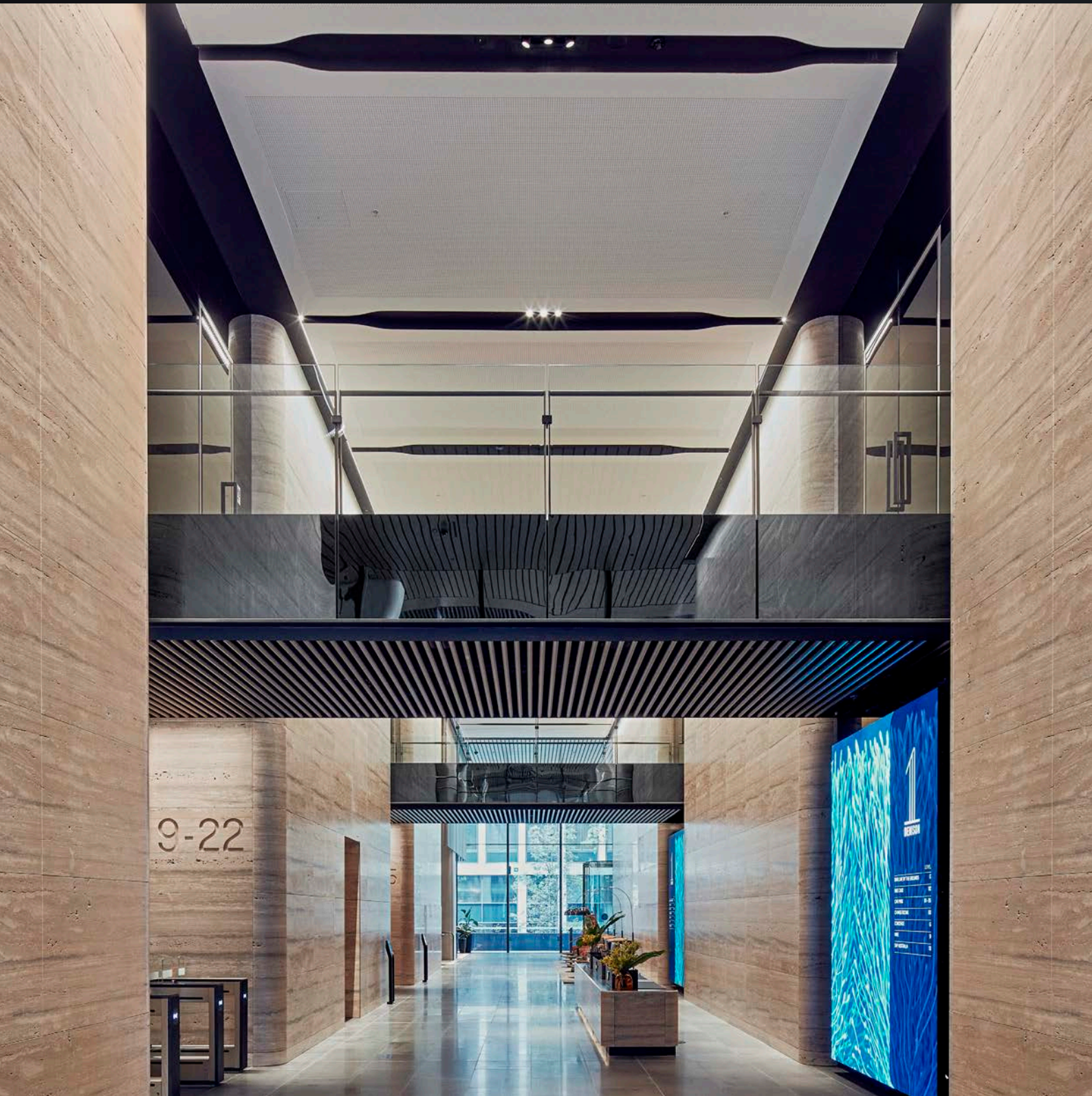




# ARIA X TW

AC FLOODLIGHT FLD-ARIA X TW





Aria X TW is a high power AC floodlight luminaire with tunable white control, specifically designed for creative wall washing and grazing applications. Powerful, robust and available in multiple length options which allow for greater design flexibility. The luminaire features an integral power supply and DALI driver.

**POWER (AC)**

**LUMINOUS FLUX**

**TUNABLE WHITE**

**33W**

32.7W / 600mm unit



1,896 – 2,647 lm



**66W**

65.4W / 2x 600mm unit



3,793 – 5,294 lm

**99W**

98.1W / 3x 600mm unit



5,689 – 7,941 lm

# POLYURETHANE ENCAPSULATION

Aria X TW utilises Coolon's encapsulation technology to deliver a truly extraordinary outdoor luminaire. IP66 and IK08, shock and abrasion resistance, thermal protection and reliability are all ensured.

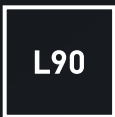


## STREAMLINED TOPOLOGY

Aria X TW is truly plug and play - your luminaires arrive to site ready to perform, simplifying lighting design, electrical layout and installation.

Aria X TW's design allows a system to be connected via integral all-in-one cables without further accessories and junction boxes.

Unpack. Connect. Enjoy.  
Installation has never been simpler.



### LONG OPERATING LIFE

Coolon products use the world's most reputable LED manufacturers and the latest available standards to adequately report lumen maintenance. We strive to drive LEDs under their nominal current and use state-of-the-art heat dissipation methods, leading to durable electronics.



### VARIOUS CCT & COLOUR BINNING CONSISTENCY

All products are offered in various colour temperatures, and manufactured using tighter bins, ensuring excellent consistency and uniformity.



### 5 YEARS WARRANTY

Coolon luminaires are covered by a solid comprehensive manufacturer's warranty that covers a range of possible defects and performance parameters throughout the duration of the warranty period.



### PROUDLY MADE IN AUSTRALIA

Our products are designed and manufactured in Australia. Engineered to perfection, using only the highest quality components and highly skilled labour, each luminaire is assembled and thoroughly tested to ensure that it exceeds the highest standards.

TECHNICAL SPECIFICATIONS

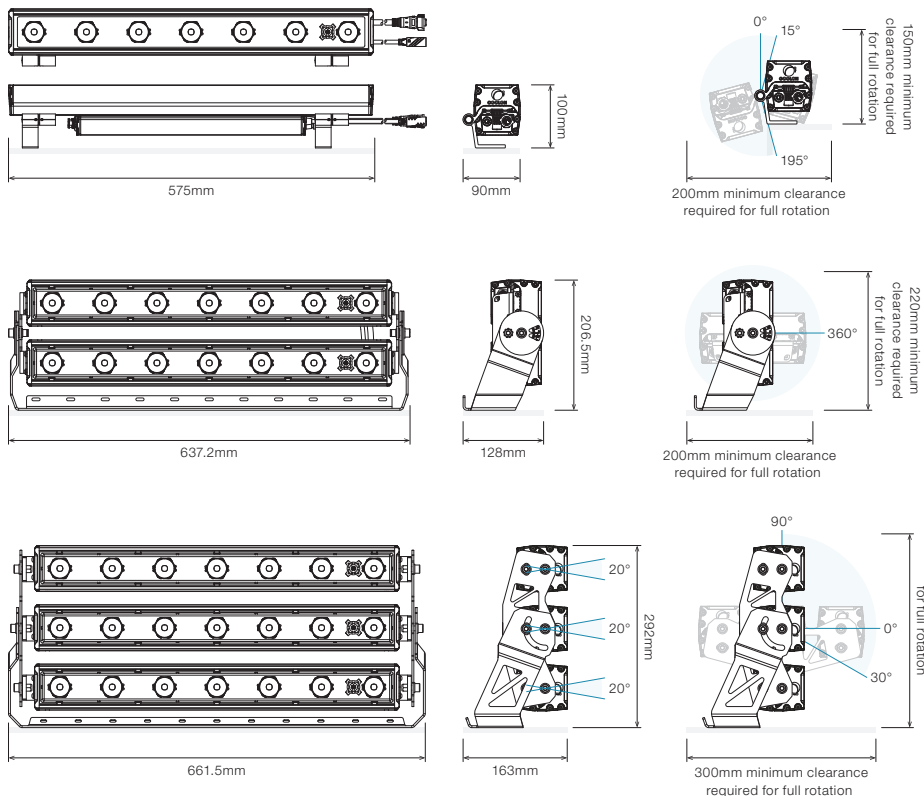
Product Code	FLD-ARIA X-TW		
Nominal Power	33W	66W	99W
Body	Aluminium Alloy Body		
Finish	Brushed Natural Anodised, Brushed Black Anodised		
Cover	Polyurethane		
Endcaps	Powdercoated Die-cast Aluminium		
Cables	Standard or Low Smoke Zero Halogen (LSZH) – On Request		
Weight	4.2kg	11.0kg	16.0kg
LEDs per Luminaire	7 clusters of 4 Nichia E17 (24 pieces per luminaire)		
Input Voltage	120 – 250VAC		
Input Frequency Range	50 - 60Hz		
Power Factor (PF)	> 0.9 ( At full Power)		
Max. Inrush Current	< 200mA <sup>2</sup> s @ 120V / 60Hz < 200mA <sup>2</sup> s @ 230V / 50Hz < 200mA <sup>2</sup> s @ 277V / 60Hz		
Leakage Current	< 100 µA		
Total Harmonics Distortion (THD)	< 2% (At full Power)		
Max. Input Power	36W	72W	108W
Max. Continuous Connection Length	Up to 32 units @ 230VAC Up to 28 Units @ 120VAC	Up to 16 units @ 230VAC Up to 14 Units @ 120VAC	Up to 10 units @ 230VAC Up to 9 Units @ 120VAC
Dimming / Control	Through DALI-2 Device Type 6		
External Heatsink Required	No, Natural Convection Cooling		
Ambient Operating Temperature	Ta -40°C to 50°C		
Reported Lumen Maintenance TM21-11 (@ Ts = 85°C, If = 700mA)	NCSLE17A L90 (10K) = 32,200 hours L70 (10K) > 60,000 hours		
	Aria X TW Max. operating values (@ Ts = 70°C, If = 680mA)		
Presumption of Life Time (IEC 62717-11)	L90B10 = 82,274 hours L70B10 = 340,654 hours		
IP Rating	IP66 (Standard)		
IK Rating	IK08 (Standard) - Not including Wiring / Connectors		

LUMEN OUTPUT

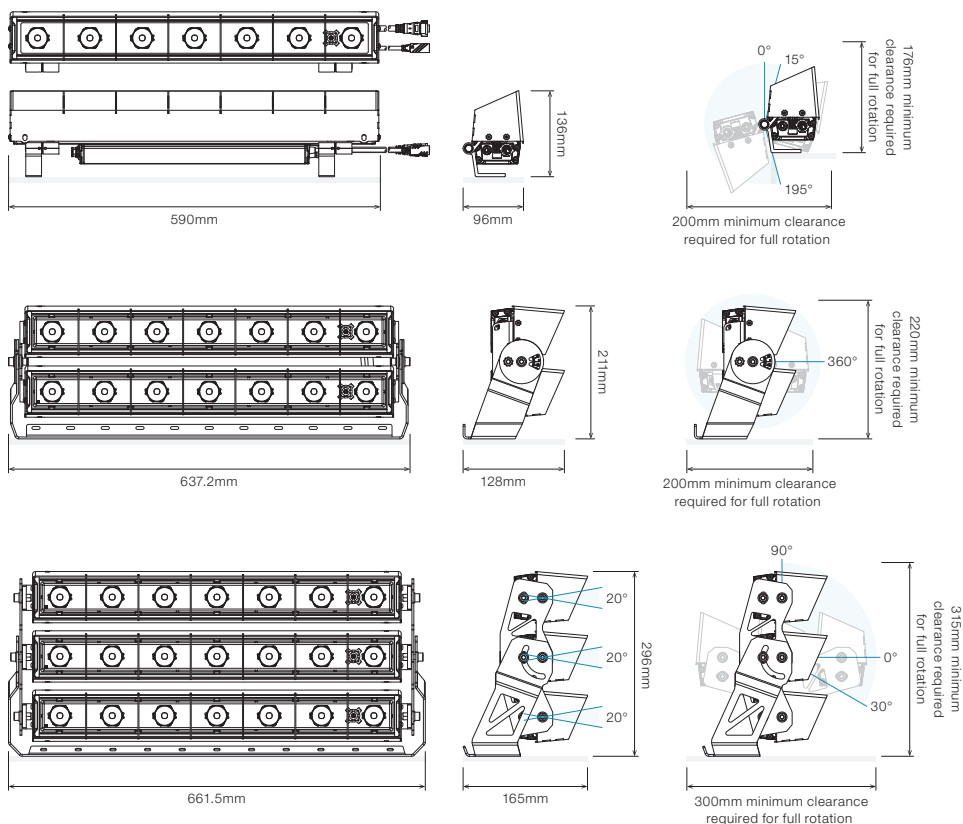
		20D	30D	52D	O3215D	O6010D	RO3215D	RO6010D
ARIA X TW 33W	2700K	2,154 lm	1,898 lm	2,028 lm	2,192 lm	1,896 lm	2,192 lm	1,896 lm
	4600K	2,577 lm	2,135 lm	2,358 lm	2,616 lm	2,264 lm	2,616 lm	2,264 lm
	6500K	2,589 lm	2,285 lm	2,454 lm	2,647 lm	2,290 lm	2,647 lm	2,290 lm
ARIA X TW 66W	2700K	4,307 lm	3,796 lm	4,056 lm	4,383 lm	3,793 lm	4,383 lm	3,793 lm
	4600K	5,154 lm	4,270 lm	4,716 lm	5,232 lm	4,527 lm	5,232 lm	4,527 lm
	6500K	5,178 lm	4,571 lm	4,909 lm	5,294 lm	4,581 lm	5,294 lm	4,581 lm
ARIA X TW 99W	2700K	6,461 lm	5,694 lm	6,084 lm	6,575 lm	5,689 lm	6,575 lm	5,689 lm
	4600K	7,731 lm	6,405 lm	7,074 lm	7,848 lm	6,791 lm	7,848 lm	6,791 lm
	6500K	7,768 lm	6,856 lm	7,363 lm	7,941 lm	6,871 lm	7,941 lm	6,871 lm

■ DIMENSIONS

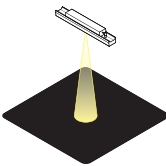
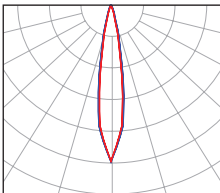
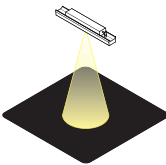
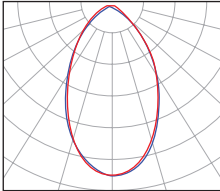
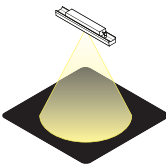
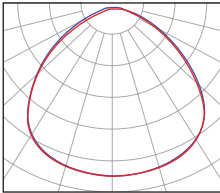
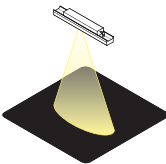
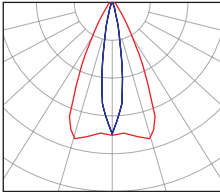
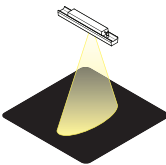
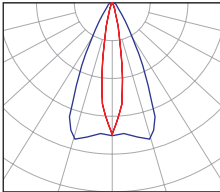
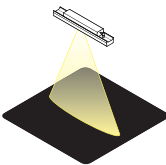
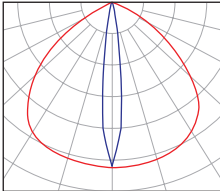
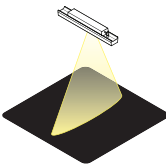
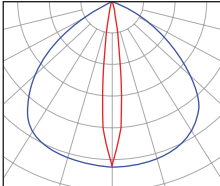
WITH ROTATING BRACKET



WITH ROTATING BRACKET AND GLARE SHIELD

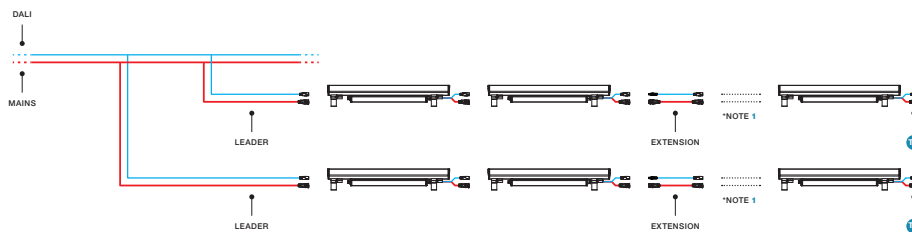


■ POLAR DISTRIBUTION

OPTIC		POLAR DISTRIBUTION
<p>20D Narrow Beam 20° Beam Angle</p>		
<p>30D Medium Beam 30° Beam Angle</p>		
<p>52D Wide Beam 52° Beam Angle</p>		
<p>O3215D Oval Beam Oval 32° x 15° Beam Angle</p>		
<p>RO3215D Oval Rotated Beam Oval 15° x 32° Beam Angle</p>		
<p>O6015D Oval Beam Oval 60° x 15° Beam Angle</p>		
<p>RO6015D Oval Rotated Beam Oval 15° x 60° Beam Angle</p>		

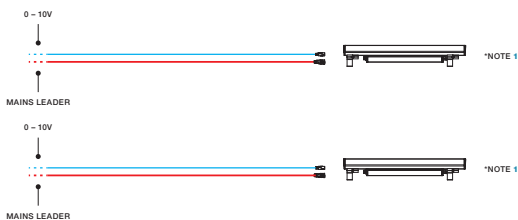
WIRING DIAGRAMS

DALI INSTALLATION



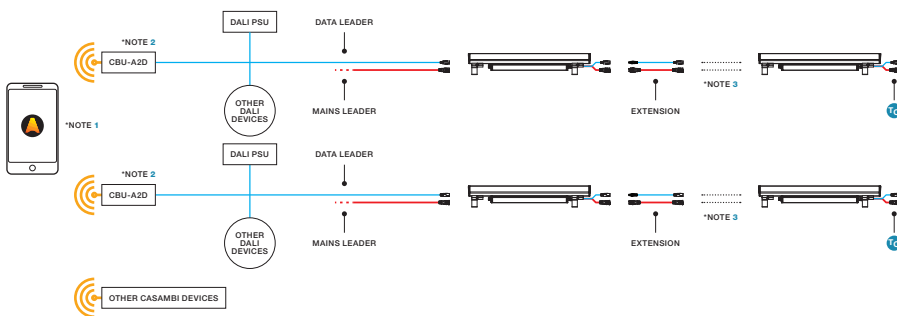
\* Control limits defined by the DALI system

0-10V INSTALLATION



\* Single luminaire control

CASAMBI INSTALLATION



\* Please refer to Casambi's documentation about system limits and range  
 \* Please refer to CBU-A2D documentation for reference  
 \* Control limits defined by the DALI system



CONNECTOR PIN-OUTS



Power Output (Female)



Power Input (Male)

- 1 Active
- 2 Neutral
- 3 Earth

DIMMING CONTROL

DALI Tunable White



Control Output (Female)



Control Input (Male)

- 1 DALI (+)
- 2 DALI (-)
- 3 NC

---

- PROFILE COLOUR

**BNA** - Brushed Natural Anodised**BLK** - Brushed Black Anodised

---

- IP RATING

**IP66**

Fully protected against dust.  
Protected against wave-like  
water jets from all directions.



ORDERING EXAMPLE

**FLD - ARIA X TW - 33W - O3215D - BNA - DT6TW**



■ **WATTAGE**

33W	Single Luminaire
66W	Twin Luminaire
99W	Triple Luminaire

■ **OPTICS**

20D	20° Beam
30D	30° Beam
52D	52° Beam
O3215D	Oval 32° x 15° Beam
RO3215D	Oval 15° x 32° Beam Rotated 90°
O6015D	Oval 60° x 15° Beam
RO6015D	Oval 15° x 60° Beam Rotated 90°

■ **PROFILE COLOUR**

BNA	Brushed Natural Anodised
BLK	Brushed Black Anodised

■ **DIMMING CONTROL**

DT6TW	DALI Tunable White
DT6TW_CB	DALI Tunable White <sup>1</sup>
DT6TW_CAS	Tunable White - Casambi
CAS-CBU-A2D	Casambi control through CBU-A2D

## ■ ACCESSORIES

	PRODUCT CODE	DESCRIPTION
<b>ACCESSORIES</b>		
	ACC-ARIA-SPK-06	Bird Spikes 600mm length
	ACC-ARIA-GSH-06	Glare Shield 600mm length
	ACC-ARIA-CBP-140	Cable Protection to 2x600mm unit

**ACC-ARIA-GSH-06** - Glare Shield 600mm length



**ACC-ARIA-CBP-140** - Cable Protection to 2x600mm unit



### CABLE EXTENSIONS



CBLKIT-MADA-L-IP68-5M	Cable Kit Mains & Data – Extension – IP68 – Leader + 5M Extension
CBLKIT-MADA-J-IP68-5M	Cable Kit Mains & Data – Joiner – IP68 – 5 Metre
CBLKIT-MADA-J-IP68-06M	Cable Kit Mains & Data – Joiner – IP68 – 0.6 Metre Kit Designed for connection of 1,200mm units end-to-end
CBLKIT-MADA-CAPS	Cable Kit Mains & Data – CAPS

### CONTROLS



CAS-CBU-A2D	Casambi Bluetooth Controllable 2 Channel 0–10V / DALI Controller
-------------	---