



# eLi SW

LED MODULE LNR-eLi SW





eLi SW is a modular linear luminaire precisely engineered to follow the fluidity of organic architecture. It delivers consistent, high-quality white illumination for challenging exterior applications. Its semi-rigid design ensures seamless, elegant integration into curved façades and sculptural forms, backed by engineering-grade reliability. A range of precision optics and mounting accessories supports accurate beam control for wall washing or grazing.

#### POWER

##### 20W

18.7W / metre



PC • 837 – 1,562 lm / metre

##### 40W

38.7W / metre



PC • 1,223 – 2,440 lm / metre

#### COLOUR TEMPERATURE

1800K

2200K

2700K

3000K

3500K

4000K

#### CONTROL OPTIONS





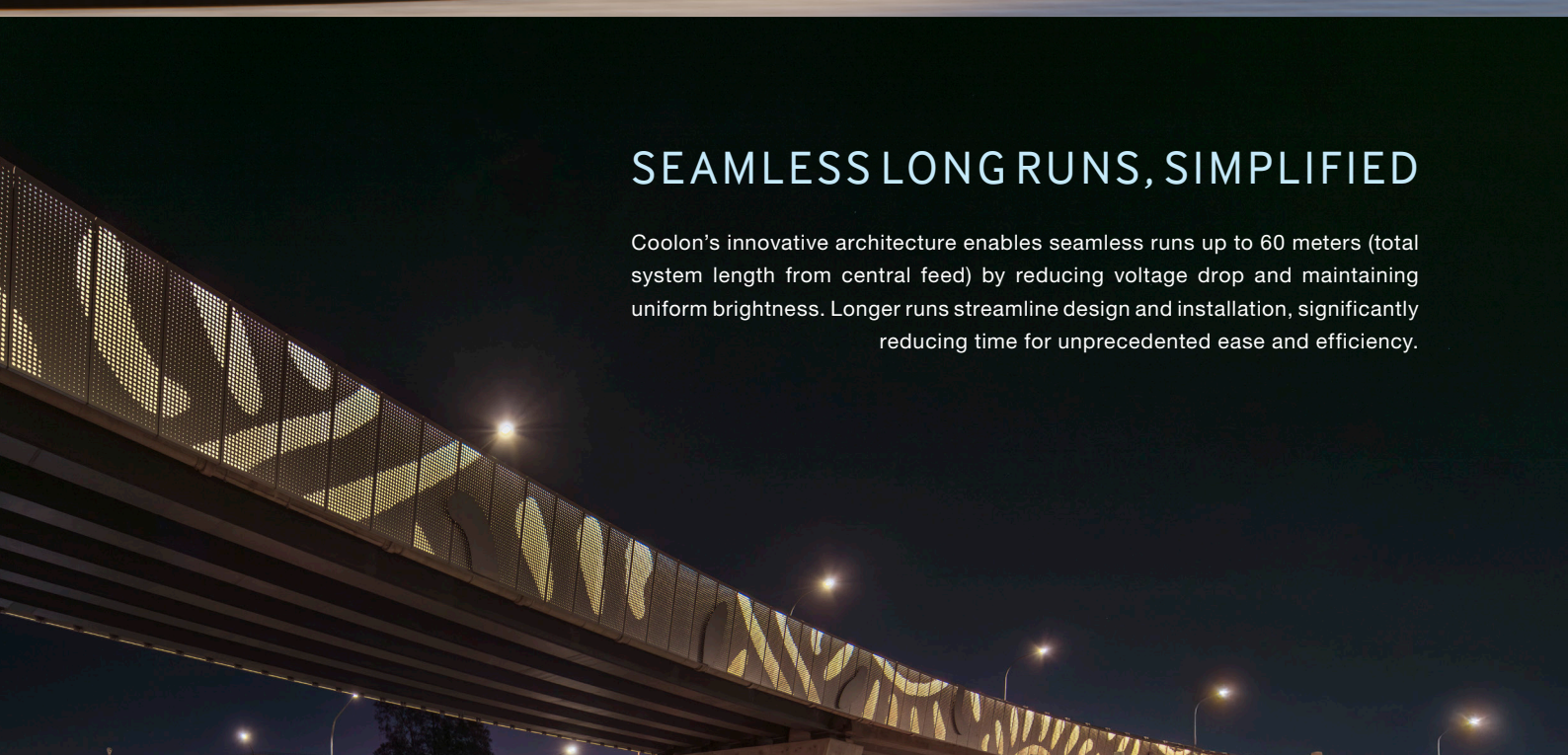
## PEACE OF MIND, BUILT IN

eLi's signature build quality and proven encapsulation technology craft an outdoor solution of unmatched resilience and reliability. Its robustness ensures unwavering performance in the most demanding applications and environments.



## VIBRANT VISUAL FIDELITY

eLi luminaires deliver stunning light quality engineered to bring spaces to life. With exceptional colour accuracy and consistency, they ensure true-to-life colours are rendered beautifully. eLi provides an outstanding visual experience that consistently enhances any environment.



## SEAMLESS LONG RUNS, SIMPLIFIED

Coolon's innovative architecture enables seamless runs up to 60 meters (total system length from central feed) by reducing voltage drop and maintaining uniform brightness. Longer runs streamline design and installation, significantly reducing time for unprecedented ease and efficiency.

## TECHNICAL SPECIFICATIONS

Product Code	LNR-eLi SW
Description	eLi SW LED Module
Body / Finish	Cast Aluminium, Anodized & Powder Coated (Marine Grade)
Cover	Polyurethane Encapsulation
Product Body Length	298mm
Luminaire Weight	710g
Connector Type	Push-Lock (Tool-less Installation)
LEDs Per Segment	6
Light Quality	3-step MacAdam Ellipse, CRI >90, R9 >80, Rf: 92.7, Rg: 101.4
Lumen Maintenance TM21	TM21 L90/B10(10K) > 60,000 hours
Operating Voltage	24 – 54VDC (Requires Class II / SELV compliant power supply)
Typical Power Consumption	5.6W or 11.6W per Module at 36V
Typical Power Consumption per metre	18.7W or 38.7W at 36V
Electrical Safety Classification	Class III (SELV)
Max. Through Current	20A
Control	DALI, DMX or Casambi through eLi Controller
External Heatsink Required	No
Storage Temperature Range	-20°C to +70°C
Humidity Range	10% to 90% RH, Non-condensing
Ambient Operating Temp	-10°C to 50°C
IP Rating	IP66 / IP67
IK Rating	IK10
Max Continuous Connection Length	Please refer to installation limits

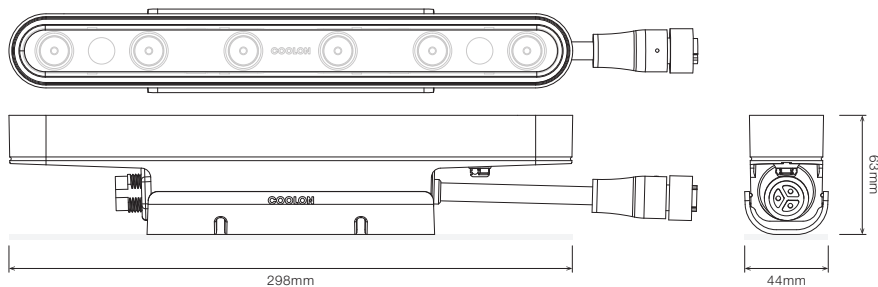
## POWER & LUMEN OUTPUT

TYPE	POWER	CCT	13D	22D	40D	55D	O4512D	RO4512D
20W	18.7W / metre	1800K	967 lm/m	950 lm/m	860 lm/m	837 lm/m	863 lm/m	923 lm/m
		2200K	1,157 lm/m	1,133 lm/m	1,027 lm/m	997 lm/m	1,030 lm/m	1,103 lm/m
		2700K	1,343 lm/m	1,315 lm/m	1,194 lm/m	1,160 lm/m	1,197 lm/m	1,280 lm/m
		3000K	1,420 lm/m	1,393 lm/m	1,263 lm/m	1,227 lm/m	1,267 lm/m	1,357 lm/m
		3500K	1,530 lm/m	1,500 lm/m	1,360 lm/m	1,320 lm/m	1,363 lm/m	1,460 lm/m
		4000K	1,562 lm/m	1,530 lm/m	1,389 lm/m	1,348 lm/m	1,391 lm/m	1,489 lm/m
		5.6W / module	5.6W / module	1800K	290 lm	285 lm	258 lm	251 lm
2200K	347 lm			340 lm	308 lm	299 lm	309 lm	331 lm
2700K	403 lm			395 lm	358 lm	348 lm	359 lm	384 lm
3000K	426 lm			418 lm	379 lm	368 lm	380 lm	407 lm
3500K	459 lm			450 lm	408 lm	396 lm	409 lm	438 lm
4000K	468 lm			459 lm	417 lm	404 lm	417 lm	447 lm
40W	38.7W / metre			1800K	1,377 lm/m	1,350 lm/m	1,223 lm/m	1,337 lm/m
		2200K	1,770 lm/m	1,733 lm/m	1,573 lm/m	1,597 lm/m	1,577 lm/m	1,687 lm/m
		2700K	2,100 lm/m	2,057 lm/m	1,867 lm/m	1,853 lm/m	1,870 lm/m	2,000 lm/m
		3000K	2,220 lm/m	2,173 lm/m	1,973 lm/m	1,963 lm/m	1,977 lm/m	2,117 lm/m
		3500K	2,390 lm/m	2,343 lm/m	2,127 lm/m	2,113 lm/m	2,130 lm/m	2,280 lm/m
		4000K	2,440 lm/m	2,390 lm/m	2,170 lm/m	2,156 lm/m	2,173 lm/m	2,327 lm/m
		11.6W / module	11.6W / module	1800K	413 lm	405 lm	367 lm	401 lm
2200K	531 lm			520 lm	472 lm	479 lm	473 lm	506 lm
2700K	630 lm			617 lm	560 lm	556 lm	561 lm	600 lm
3000K	666 lm			652 lm	592 lm	589 lm	593 lm	635 lm
3500K	717 lm			703 lm	638 lm	634 lm	639 lm	684 lm
4000K	732 lm			717 lm	651 lm	647 lm	652 lm	698 lm

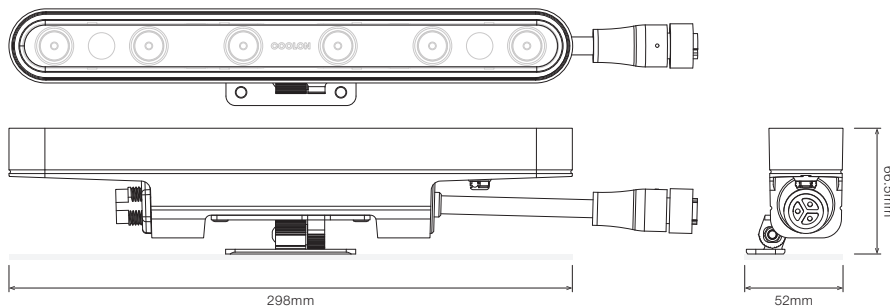
■ DIMENSIONS

For final strip lengths please refer to the "Product Length" table.

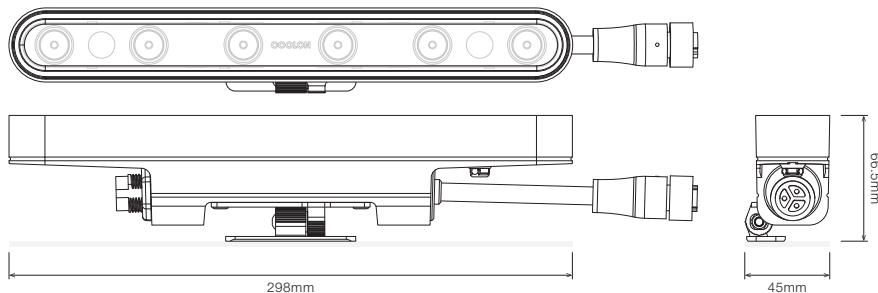
WITH SURFACE MOUNTING BRACKET



WITH ROTATING BRACKET - TYPE A

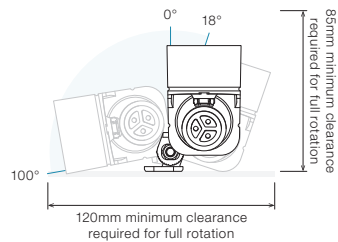


WITH ROTATING BRACKET - TYPE B

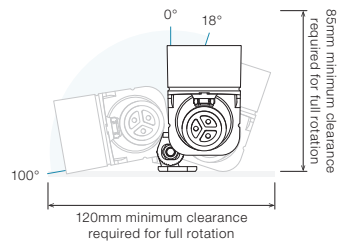


ROTATION WITH ROTATING BRACKET

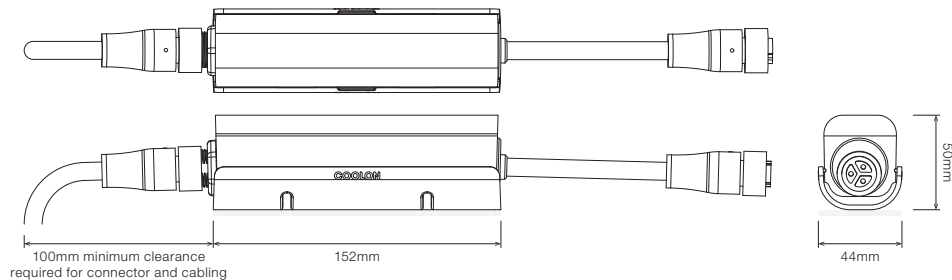
TYPE A



TYPE B



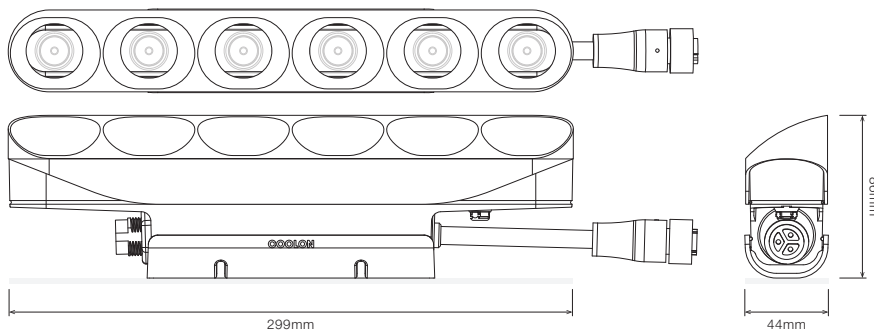
eLi CONTROLLER



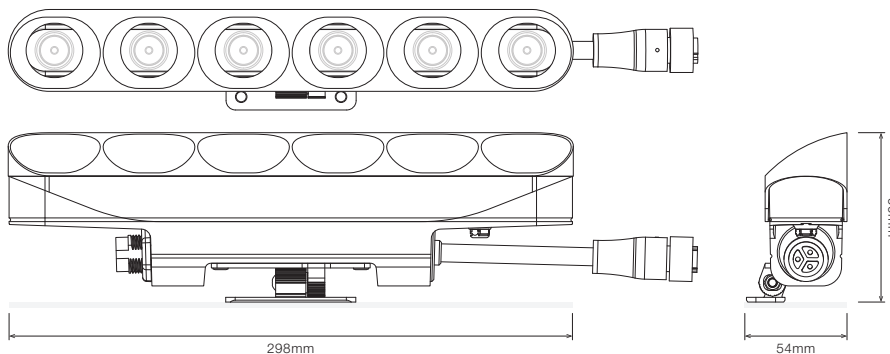
■ DIMENSIONS

For final strip lengths please refer to the "Product Length" table.

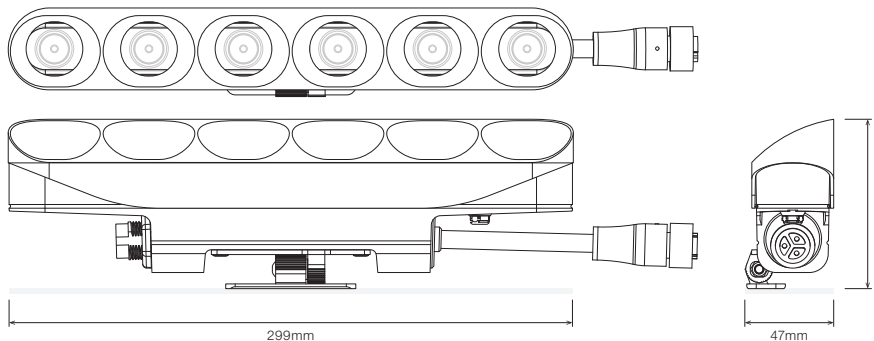
WITH SURFACE MOUNTING BRACKET + GLARESHIELD



WITH ROTATING BRACKET - TYPE A + GLARESHIELD

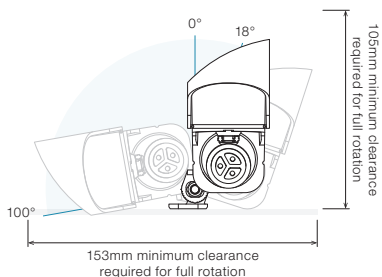


WITH ROTATING BRACKET - TYPE B + GLARESHIELD

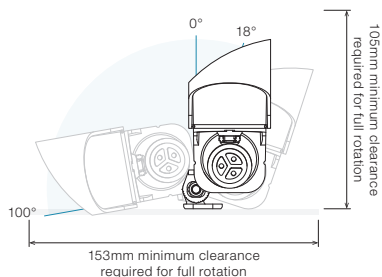


ROTATION WITH ROTATING BRACKET + GLARESHIELD

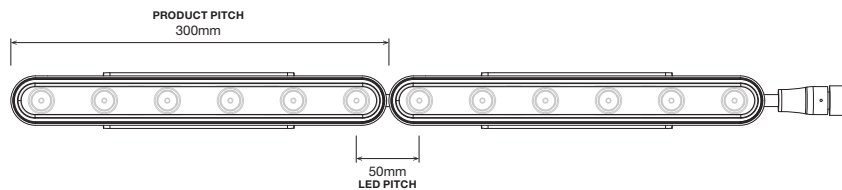
TYPE A



TYPE B



■ PRODUCT LENGTH



# OF MODULES	FINAL LENGTH
1	300mm
2	600mm
3	900mm
4	1,200mm
5	1,500mm
6	1,800mm
7	2,100mm
8	2,400mm
9	2,700mm
10	3,000mm
11	3,300mm
12	3,600mm
13	3,900mm
14	4,200mm
15	4,500mm
16	4,800mm
17	5,100mm
18	5,400mm
19	5,700mm
20	6,000mm
21	6,300mm
22	6,600mm
23	6,900mm
24	7,200mm
25	7,500mm
26	7,800mm
27	8,100mm
28	8,400mm
29	8,700mm
30	9,000mm
31	9,300mm
32	9,600mm
33	9,900mm
34	10,200mm
35	10,500mm
36	10,800mm
37	11,100mm
38	11,400mm
39	11,700mm
40	12,000mm
41	12,300mm
42	12,600mm
43	12,900mm
44	13,200mm
45	13,500mm
46	13,800mm
47	14,100mm
48	14,400mm
49	14,700mm
50	15,000mm

# OF MODULES	FINAL LENGTH
51	15,300mm
52	15,600mm
53	15,900mm
54	16,200mm
55	16,500mm
56	16,800mm
57	17,100mm
58	17,400mm
59	17,700mm
60	18,000mm
61	18,300mm
62	18,600mm
63	18,900mm
64	19,200mm
65	19,500mm
66	19,800mm
67	20,100mm
68	20,400mm
69	20,700mm
70	21,000mm
71	21,300mm
72	21,600mm
73	21,900mm
74	22,200mm
75	22,500mm
76	22,800mm
77	23,100mm
78	23,400mm
79	23,700mm
80	24,000mm
81	24,300mm
82	24,600mm
83	24,900mm
84	25,200mm
85	25,500mm
86	25,800mm
87	26,100mm
88	26,400mm
89	26,700mm
90	27,000mm
91	27,300mm
92	27,600mm
93	27,900mm
94	28,200mm
95	28,500mm
96	28,800mm
97	29,100mm
98	29,400mm
99	29,700mm
100	30,000mm

**⚠ WARNING**

**PLEASE HANDLE LONG LED STRIPS WITH CARE.**

When handling LED Strips, please ensure that they are all supported and not dragged from one end.

■ POLAR DISTRIBUTION

OPTIC	POLAR DISTRIBUTION
13D Tight Beam 13° Beam	
22D Medium Beam 22° Beam	
40D Medium Beam 40° Beam	
55D Wide Beam 55° Beam	
O4512D Oval Beam Oval 45° x 12° Beam	
RO4512D Rotated Oval Beam Oval 45° x 12° Beam	

■ PROFILE COLOUR

**BLK** · Black (Standard)



**CST** · Custom Colour





PROTECTION RATINGS

**IP66**

Fully protected against dust.  
Protected against wave-like water jets from all directions.

**IP67**

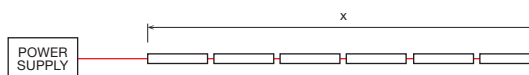
Fully protected against dust.  
Protected against wave-like water jets from all directions and temporary immersion (up to 1 metre).

**IK10**

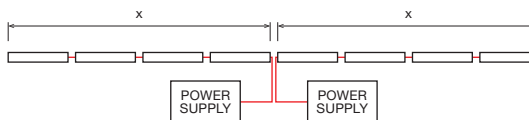
Protected against 20-joule impact (equivalent to the impact of a 5.0kg mass dropped from 400 mm).

INSTALLATION LIMITS

SCENARIO 1



SCENARIO 2



20W VERSION

MAX. CONTINUOUS CONNECTION LENGTH (X)

Up to 30,000mm at >36V<sub>in</sub> (limited by 600W PSU)

40W VERSION

MAX. CONTINUOUS CONNECTION LENGTH (X)

Up to 15,000mm at >36V<sub>in</sub> (limited by 600W PSU)

Please consult Coolon for details on extension cable between LED fittings, drivers and power supplies.

**⚠ WARNING**

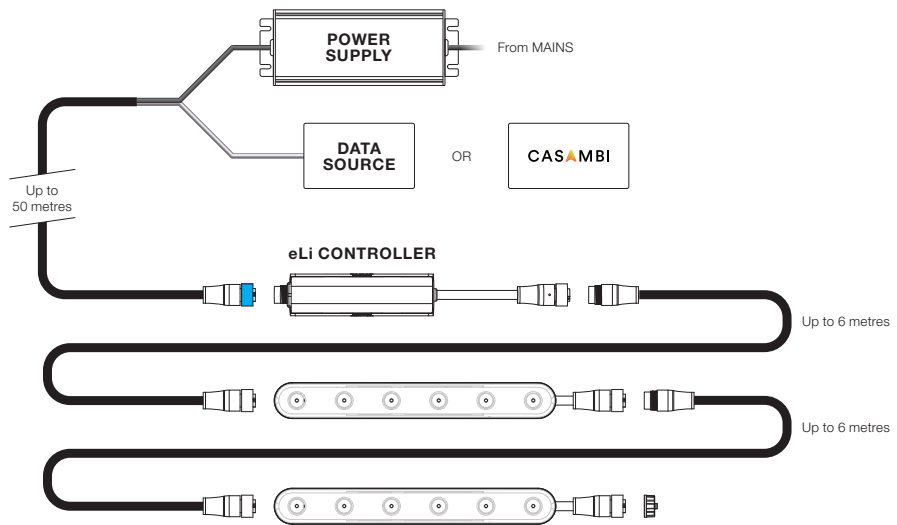
Avoid connecting multiple power supplies into a single circuit, unless they are specifically designed to do so.

✘

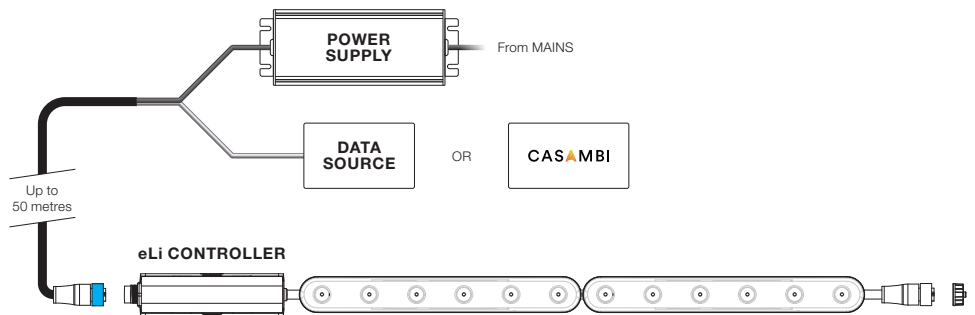
✘

■ WIRING DIAGRAMS

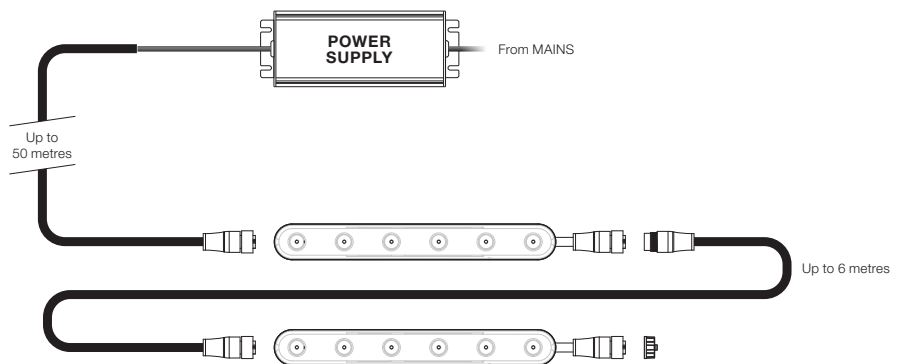
WITH EXTENSION



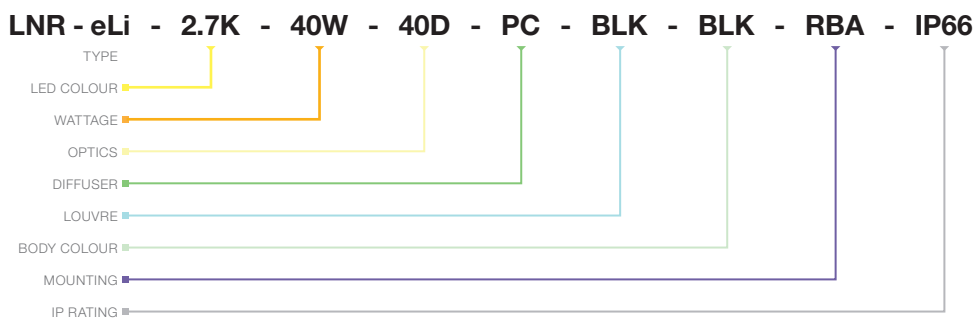
WITHOUT EXTENSION



STAND-ALONE (ON / OFF OPERATION)



ORDERING EXAMPLE



LED COLOUR

1.8K	1800K CRI 90+, R9 50+
2.2K	2200K CRI 90+, R9 50+
2.7K	2700K CRI 90+, R9 80+
3.0K	3000K CRI 90+, R9 80+
3.5K	3500K CRI 90+, R9 80+
4.0K	4000K CRI 90+, R9 80+

WATTAGE

20W	18.7W per metre · 5.6W module
40W	38.7W per metre · 11.6W module

OPTICS

13D	13° Beam
22D	22° Beam
40D	40° Beam
55D	55° Beam
O4512D	Oval 45° x 12° Beam
RO4512D	Oval 45° x 12° Beam Rotated 90°

DIFFUSER

PC	Polyurethane Clear
----	--------------------

LOUVRE

BLK	Black (Standard)
-----	------------------

PROFILE COLOUR

BLK	Black (Standard)
CST	Custom

MOUNTING

SMB	Surface Mounting Bracket
RBA	Rotating Mounting Bracket (Type A)
RBB	Rotating Mounting Bracket (Type B)

IP RATING

IP66	Outdoor Use
IP67	Outdoor Use (temporary immersion, up to 1m)



HIGH-FIDELITY COLOUR RENDERING

Engineered for exceptional colour rendering. With a CRI 90+ and an R9>80, our LEDs reveal the true richness of colours, ensuring a vibrant and accurate appearance, particularly for warm red and orange tones.



5 YEARS WARRANTY

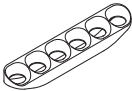
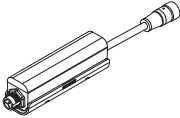


Coolon luminaires are covered by a solid comprehensive manufacturer's warranty that covers a range of possible defects and performance parameters throughout the duration of the warranty period.



PROUDLY MADE IN AUSTRALIA

Our products are designed and manufactured in Australia. Engineered to perfection, using only the highest quality components and highly skilled labour, each luminaire is assembled and thoroughly tested to ensure that it exceeds the highest standards.

## ■ ACCESSORIES

	PRODUCT CODE	DESCRIPTION
	ACC-eLi-AGSB	Anti Glare Shield - Black
<b>CONTROLLER</b>		
	CTR-eLi Controller-CAS-SWPWM-IP66	eLi Controller, Casambi Control, For eLi SW (PWM Output), Outdoor
	CTR-eLi Controller-DMX-SWPWM-IP66	eLi Controller, DMX (Full Frames) Control, For eLi SW (PWM Output), Outdoor
	CTR-eLi Controller-DT6SW-SWPWM-IP66	eLi Controller, Dali DT6 Single White Control, For eLi SW (PWM Output), Outdoor
<b>POWER SUPPLY FOR OUTDOOR USE</b>		
	PWR-HLG-60H-42AU	Mean Well Power Supply HLG 60W 42V
	PWR-HLG-150H-42AU	Mean Well Power Supply HLG 150W 42V
	PWR-HLG-240H-42AU	Mean Well Power Supply HLG 240W 42V
	PWR-HLG-320H-42AAU	Mean Well Power Supply HLG 320W 42V
	PWR-HLG-600H-42AB	Mean Well Power Supply HLG 600W 42V
<b>CABLE EXTENSIONS</b>		
	CBL-LNR-OC8FO-DC/DATA-L-IP66-1M	Leader Cable with Female Outdoor Connector OC8FO, 1M DC AWG14 + DATA Cable
	CBL-LNR-OC8FO-DC/DATA-L-IP66-5M	Leader Cable with Female Outdoor Connector OC8FO, 5M DC AWG14 + DATA Cable
	CBL-LNR-OC8FO-DC/DATA-L-IP66-15M	Leader Cable with Female Outdoor Connector OC8FO, 15M DC AWG14 + DATA Cable
	CBL-LNR-OC8FO-DC/DATA-L-IP66-30M	Leader Cable with Female Outdoor Connector OC8FO, 30M DC AWG14 + DATA Cable
	CBL-LNR-OC8FO-DC/DATA-L-IP66-50M	Leader Cable with Female Outdoor Connector OC8FO, 50M DC AWG14 + DATA Cable
	CBL-LNR-OC3FO-DC/DATA-L-IP66-1M	Leader Cable with Female Outdoor Connector OC3FO, 1M DC AWG14 (for Stand-Alone Operation)
	CBL-LNR-OC3FO-DC/DATA-L-IP66-5M	Leader Cable with Female Outdoor Connector OC3FO, 5M DC AWG14 (for Stand-Alone Operation)
	CBL-LNR-OC3FO-DC/DATA-L-IP66-15M	Leader Cable with Female Outdoor Connector OC3FO, 15M DC AWG14 (for Stand-Alone Operation)
	CBL-LNR-OC3FO-DC/DATA-L-IP66-30M	Leader Cable with Female Outdoor Connector OC3FO, 30M DC AWG14 (for Stand-Alone Operation)
	CBL-LNR-OC3FO-DC/DATA-L-IP66-50M	Leader Cable with Female Outdoor Connector OC3FO, 50M DC AWG14 (for Stand-Alone Operation)
	CBL-LNR-OC3MF-DC-J-IP66-0.3M	Joiner Cable with Male & Female Outdoor Connectors OC3MF, 300mm DC Cable AWG14
	CBL-LNR-OC3MF-DC-J-IP66-3M	Joiner Cable with Male & Female Outdoor Connectors OC3MF, 3M DC Cable AWG14
	CAP-LNR-M19F-DC-T-IP66	Waterproof Termination Cap for M19 Female Connector