



# eLi RGBW

LED MODULE LNR-eLi RGBW





eLi RGBW is a modular linear luminaire precisely engineered to follow the fluidity of organic architecture with vibrant, full-color illumination. It offers independent control of each module, empowering designers to craft highly dynamic effects and intricate lightscapes with pixel-level precision. It delivers consistent, high-quality illumination for challenging exterior applications, combining elegant adaptability with engineering-grade reliability. A range of precision optics and mounting accessories supports accurate beam control for wall washing or grazing.

#### POWER

##### 20W

20W / metre



PC · 717 – 1,177 lm / metre

##### 40W

40W / metre



PC · 1,127 – 1,843 lm / metre

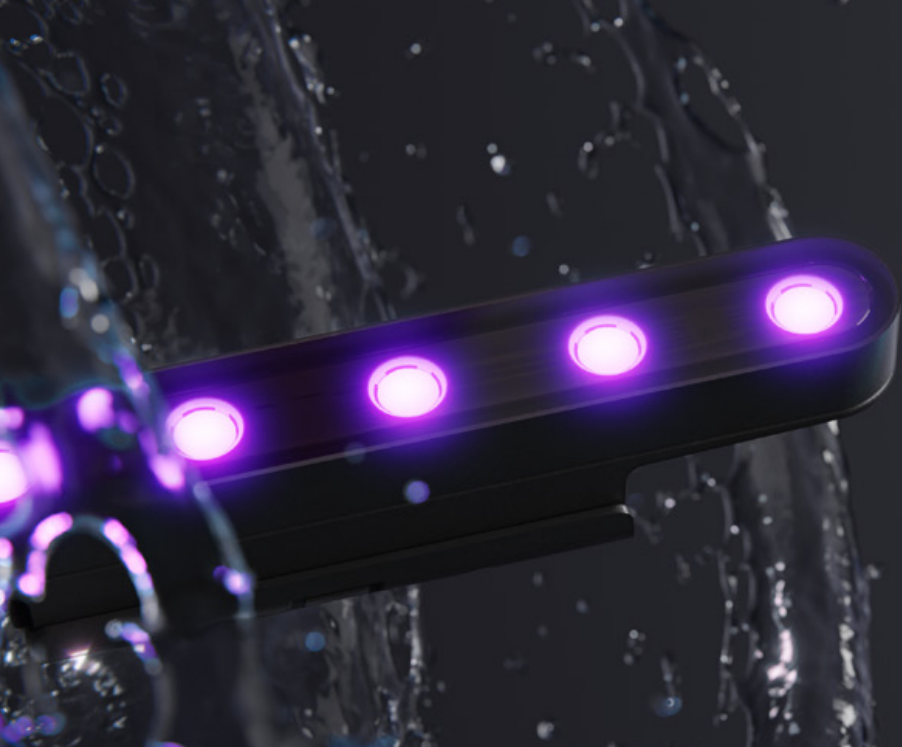
#### RGBW (INDIVIDUAL PIXEL CONTROL)



#### CONTROL OPTIONS

DMX





## PEACE OF MIND, BUILT IN

eLi's signature build quality and proven encapsulation technology craft an outdoor solution of unmatched resilience and reliability. Its robustness ensures unwavering performance in the most demanding applications and environments.

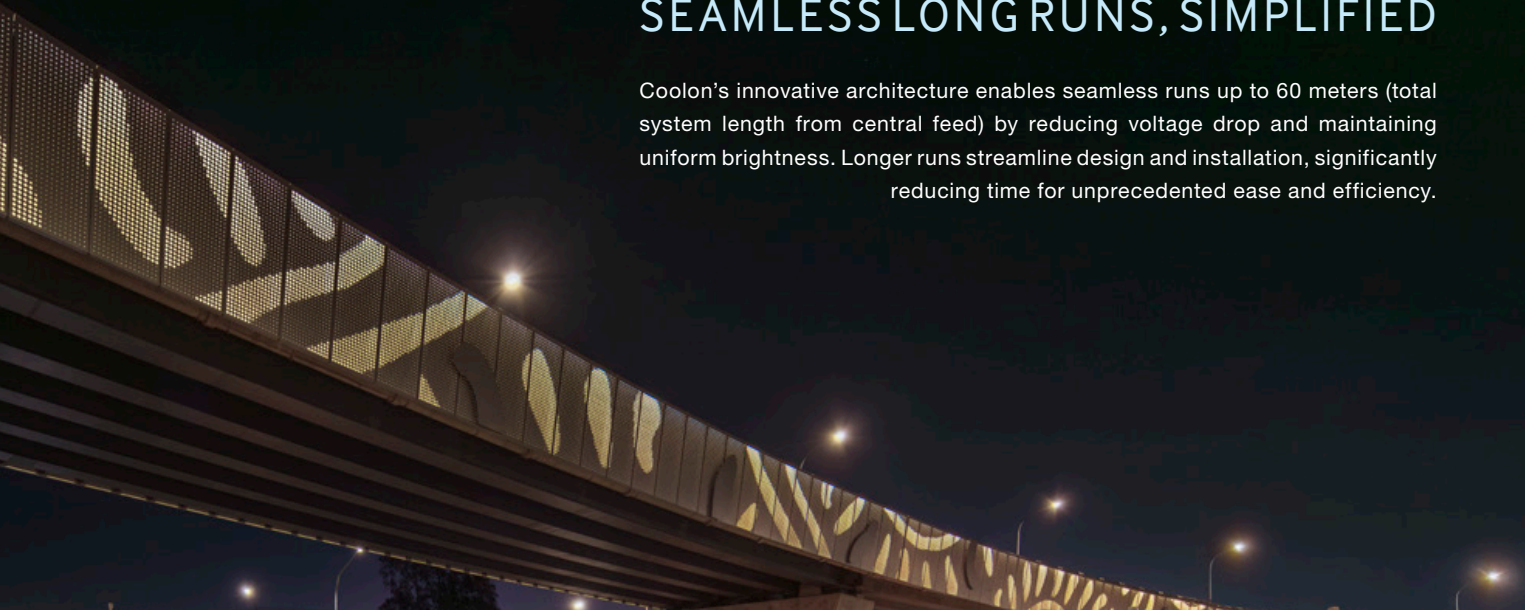


## VERSATILITY

Unlock a spectrum of creative possibilities. eLi RGBW brings vibrant, full-colour illumination with independent module control, empowering highly dynamic effects and intricate lightscapes. Its elegant adaptability extends to a range of precision optics and seamless integration into any architectural form, supported by simple control options.

## SEAMLESS LONG RUNS, SIMPLIFIED

Coolon's innovative architecture enables seamless runs up to 60 meters (total system length from central feed) by reducing voltage drop and maintaining uniform brightness. Longer runs streamline design and installation, significantly reducing time for unprecedented ease and efficiency.





## SELF-ADDRESSING

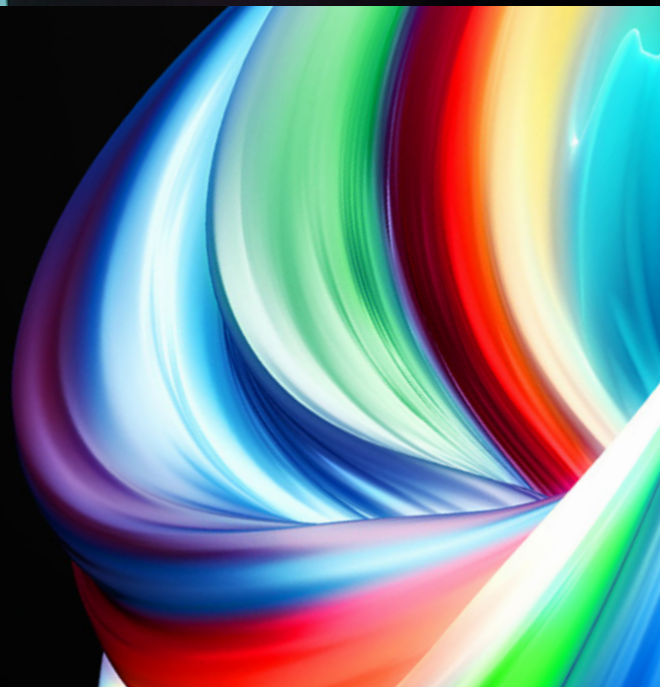
Manual on-site addressing during installation is no longer required with Coolon's clever technology. The self-addressing luminaires automatically enumerate DMX channels in a consecutive manner when connected.

This technology seamlessly recognises sequentially positioned luminaires in eli RGBW installations and requires no unique identifiers.

## MATRIX WHITE

The Matrix White algorithm physically drives RGBW LEDs from an RGB control signal. It does this by calculating when to replace a combination of primary colours (red, green and blue) with a pure white light source. This feature presents users with the following advantages:

- Superior colour rendering and appearance
- Cost savings, as more luminaires can be controlled by each DMX universe (170 RGBW luminaires, versus 128 without Matrix White)
- Utilise dedicated white output instead of relying on additive RGB (dirty) white
- Reduced power consumption, as the LED chip is being utilised effectively



### 5 YEARS WARRANTY

Coolon luminaires are covered by a solid comprehensive manufacturer's warranty that covers a range of possible defects and performance parameters throughout the duration of the warranty period.



### PROUDLY MADE IN AUSTRALIA

Our products are designed and manufactured in Australia. Engineered to perfection, using only the highest quality components and highly skilled labour, each luminaire is assembled and thoroughly tested to ensure that it exceeds the highest standards.

## TECHNICAL SPECIFICATIONS

Product Code	LNR-eLi RGBW
Description	eLi RGBW Lensed LED Module
Body / Finish	Cast Aluminium, Anodized & Powder Coated (Marine Grade)
Cover	Polyurethane Encapsulation
Product Body Length	298mm
Luminaire Weight	710g
Connector Type	Push-Lock (Tool-less Installation)
LEDs Per Segment	6 x 4 in 1 RGBW quad chip
Lumen Maintenance	L70 > 50,000 Hours
Operating Voltage	24 – 54VDC (Requires Class II / SELV compliant power supply)
Typical Power Consumption	6W or 12W per Module at 36V
Typical Power Consumption per metre	20W or 40W at 36V
Electrical Safety Classification	Class III (SELV)
Max. Through Current	20A
Control	Self Addressable DMX (Full Frames), 3 Channels or Casambi through eLi Controller
External Heatsink Required	No
Storage Temperature Range	-20°C to +70°C
Humidity Range	10% to 90% RH, Non-condensing
Ambient Operating Temp	-10°C to 50°C
IP Rating	IP66 / IP67
IK Rating	IK10
Max Continuous Connection Length	Please refer to installation limits

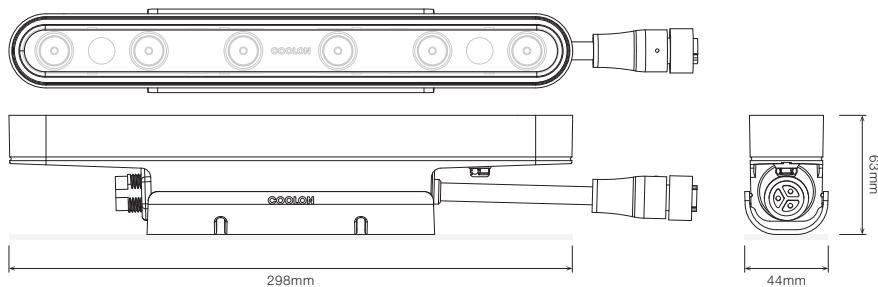
## POWER & LUMEN OUTPUT

Type	Power	CCT	25D	40D	55D	O4015D
20W	12W per metre	<input type="checkbox"/> White	863 lm/m	830 lm/m	717 lm/m	810 lm/m
	3.6W module	<input type="checkbox"/> White	259 lm	249 lm	215 lm	243 lm
	20W per metre	<input checked="" type="checkbox"/> Cyan	1,177 lm/m	1,073 lm/m	927 lm/m	1,013 lm/m
	6W module	<input checked="" type="checkbox"/> Cyan	353 lm	322 lm	278 lm	304 lm
40W			25D	40D	55D	O4015D
	24W per metre	<input type="checkbox"/> White	1,357 lm/m	1,303 lm/m	1,127 lm/m	1,273 lm/m
	7.2W module	<input type="checkbox"/> White	407 lm	391 lm	338 lm	382 lm
	40W per metre	<input checked="" type="checkbox"/> Cyan	1,843 lm/m	1,683 lm/m	1,453 lm/m	1,590 lm/m
	12W module	<input checked="" type="checkbox"/> Cyan	553 lm	505 lm	436 lm	477 lm

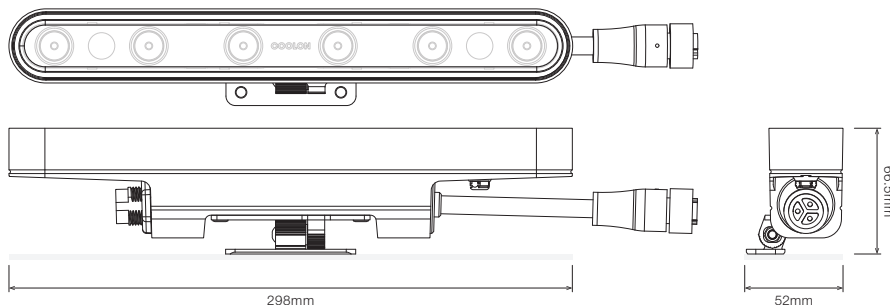
■ DIMENSIONS

For final strip lengths please refer to the "Product Length" table.

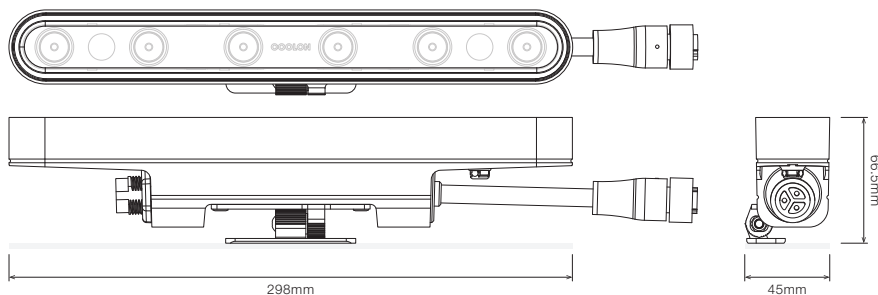
WITH SURFACE MOUNTING BRACKET



WITH ROTATING BRACKET - TYPE A

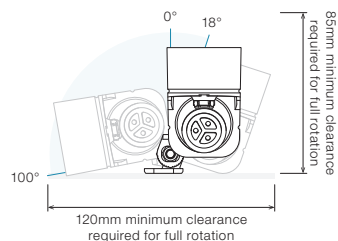


WITH ROTATING BRACKET - TYPE B

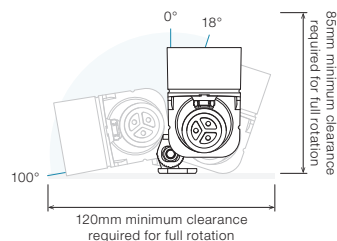


ROTATION WITH ROTATING BRACKET

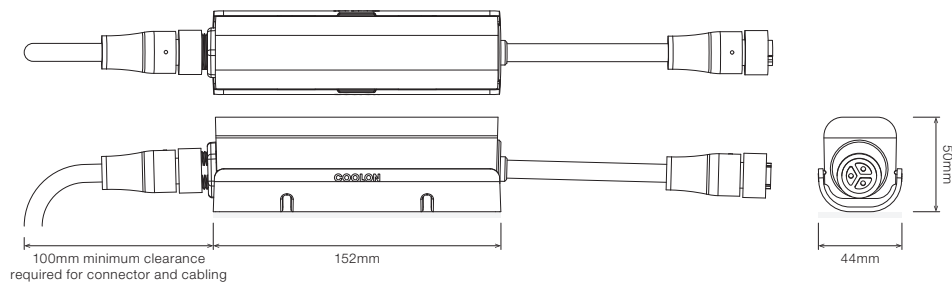
TYPE A



TYPE B



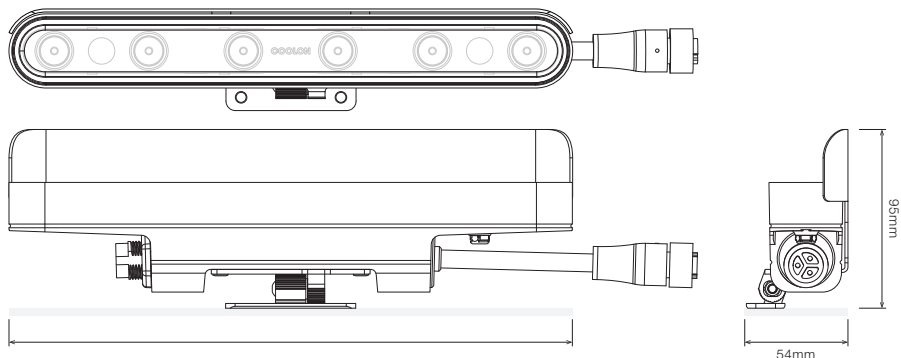
eLi CONTROLLER



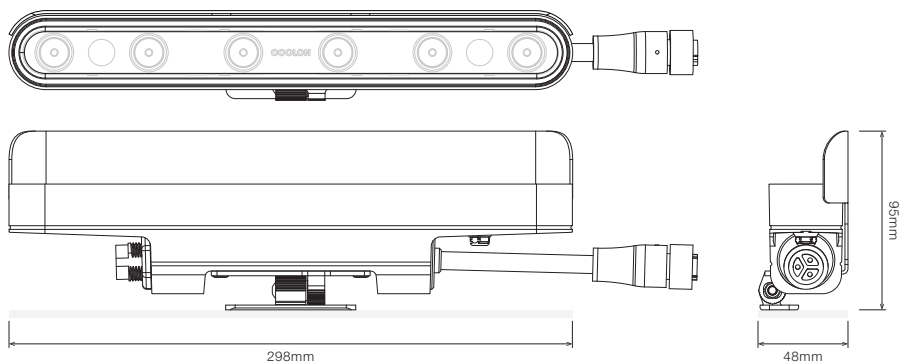
■ DIMENSIONS

For final strip lengths please refer to the "Product Length" table.

WITH ROTATING BRACKET - TYPE A + GLARE SHIELD

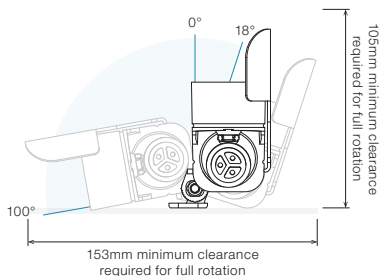


WITH ROTATING BRACKET - TYPE B + GLARE SHIELD

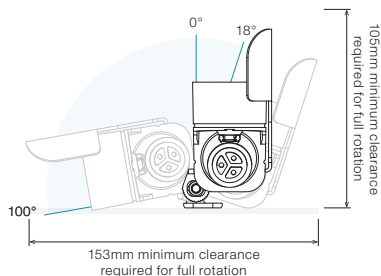


ROTATION WITH ROTATING BRACKET + GLARE SHIELD

TYPE A

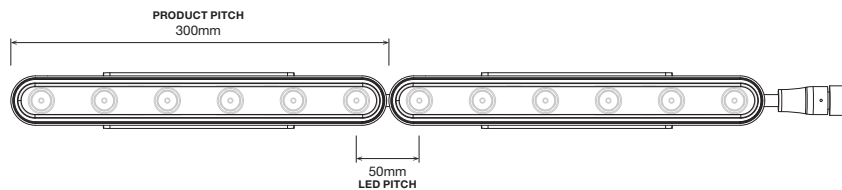


TYPE B



<sup>1</sup> ACC-eLi-SSGS-BLK (eLi SS Single Side Glare Shield) not compatible with Surface Mounting Bracket

■ PRODUCT LENGTH



# OF MODULES	FINAL LENGTH
1	300mm
2	600mm
3	900mm
4	1,200mm
5	1,500mm
6	1,800mm
7	2,100mm
8	2,400mm
9	2,700mm
10	3,000mm
11	3,300mm
12	3,600mm
13	3,900mm
14	4,200mm
15	4,500mm
16	4,800mm
17	5,100mm
18	5,400mm
19	5,700mm
20	6,000mm
21	6,300mm
22	6,600mm
23	6,900mm
24	7,200mm
25	7,500mm
26	7,800mm
27	8,100mm
28	8,400mm
29	8,700mm
30	9,000mm
31	9,300mm
32	9,600mm
33	9,900mm
34	10,200mm
35	10,500mm
36	10,800mm
37	11,100mm
38	11,400mm
39	11,700mm
40	12,000mm
41	12,300mm
42	12,600mm
43	12,900mm
44	13,200mm
45	13,500mm
46	13,800mm
47	14,100mm
48	14,400mm
49	14,700mm
50	15,000mm

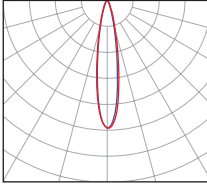
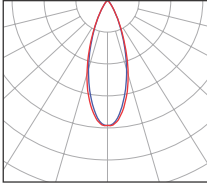
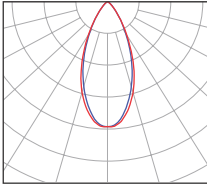
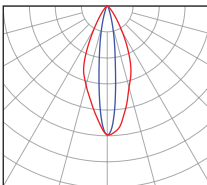
# OF MODULES	FINAL LENGTH
51	15,300mm
52	15,600mm
53	15,900mm
54	16,200mm
55	16,500mm
56	16,800mm
57	17,100mm
58	17,400mm
59	17,700mm
60	18,000mm
61	18,300mm
62	18,600mm
63	18,900mm
64	19,200mm
65	19,500mm
66	19,800mm
67	20,100mm
68	20,400mm
69	20,700mm
70	21,000mm
71	21,300mm
72	21,600mm
73	21,900mm
74	22,200mm
75	22,500mm
76	22,800mm
77	23,100mm
78	23,400mm
79	23,700mm
80	24,000mm
81	24,300mm
82	24,600mm
83	24,900mm
84	25,200mm
85	25,500mm
86	25,800mm
87	26,100mm
88	26,400mm
89	26,700mm
90	27,000mm
91	27,300mm
92	27,600mm
93	27,900mm
94	28,200mm
95	28,500mm
96	28,800mm
97	29,100mm
98	29,400mm
99	29,700mm
100	30,000mm

**⚠ WARNING**

**PLEASE HANDLE LONG LED STRIPS WITH CARE.**

When handling LED Strips, please ensure that they are all supported and not dragged from one end.

■ POLAR DISTRIBUTION

OPTIC	POLAR DISTRIBUTION
25D Narrow Beam 25° Beam	
40D Medium Beam 40° Beam	
55D Wide Beam 55° Beam	
O4015D Oval Beam Oval 40° x 15° Beam	

■ PROFILE COLOUR

**BLK** · Black (Standard)



**CST** · Custom Colour



PROTECTION RATINGS

**IP66**

Fully protected against dust.  
Protected against wave-like water jets from all directions.

**IP67**

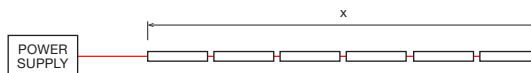
Fully protected against dust.  
Protected against wave-like water jets from all directions and temporary immersion (up to 1 metre).

**IK10**

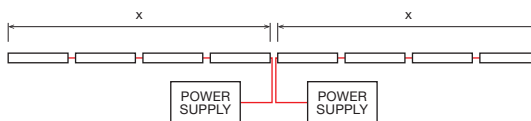
Protected against 20-joule impact (equivalent to the impact of a 5.0kg mass dropped from 400 mm).

INSTALLATION LIMITS

SCENARIO 1



SCENARIO 2



20W VERSION

MAX. CONTINUOUS CONNECTION LENGTH (X)

Up to 30,000mm at >36V<sub>in</sub> (limited by 600W PSU)

40W VERSION

MAX. CONTINUOUS CONNECTION LENGTH (X)

Up to 15,000mm at >36V<sub>in</sub> (limited by 600W PSU)

- Please consult Coolon for details on extension cable between LED fittings, drivers and power supplies.

**⚠ WARNING**

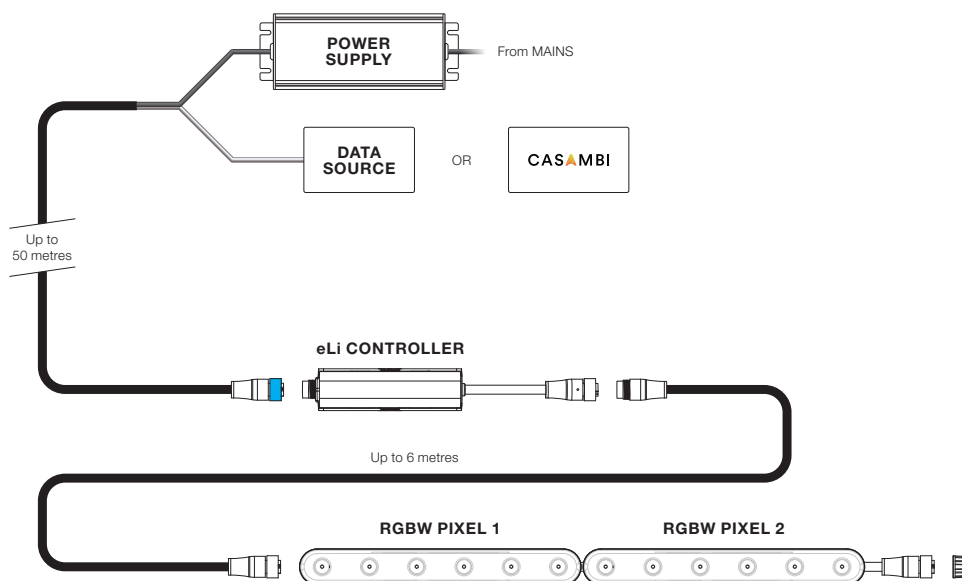
Avoid connecting multiple power supplies into a single circuit, unless they are specifically designed to do so.

✗

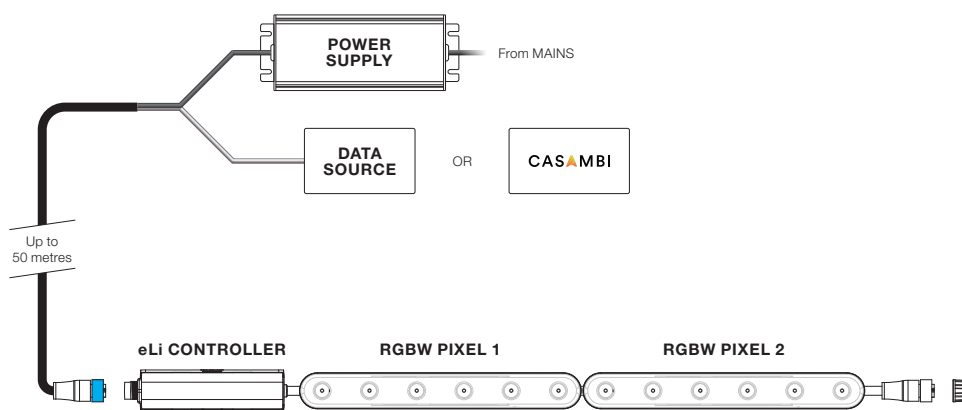
✗

■ WIRING DIAGRAMS

WITH EXTENSION

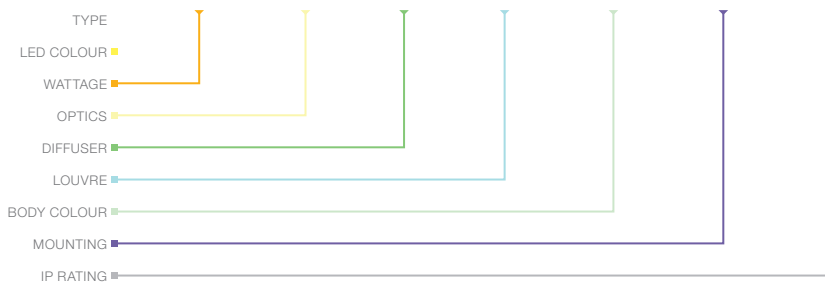


WITHOUT EXTENSION



▪ ORDERING EXAMPLE

**LNR - eLi RGBW - 40W - 40D - PC - BLK - BLK - RBA - IP66**



■ LED COLOUR

RGBW      RGBW (4000K White)

■ WATTAGE

20W      20W / metre · 6W module  
 40W      40W / metre · 12W per module

■ OPTICS

25D      25° Beam  
 40D      40° Beam  
 55D      55° Beam  
 O4015D      Oval 40° x 15° Beam

■ DIFFUSER

PC      Polyurethane Clear

■ LOUVRE

BLK      Black (Standard)

■ BODY COLOUR

BLK      Black (Standard)  
 CST      Custom

■ MOUNTING

SMB      Surface Mounting Bracket  
 RBA      Rotating Mounting Bracket (Type A)  
 RBB      Rotating Mounting Bracket (Type B)

■ IP RATING

IP66      Outdoor Use  
 IP67      Outdoor Use (temporary immersion, up to 1m)

## ■ ACCESSORIES


	PRODUCT CODE	DESCRIPTION
	ACC-eLi-SSGS-BLK	eLi SS Single Side Glare Shield - Black <sup>1</sup>

<sup>1</sup> ACC-eLi-SSGS-BLK (eLi SS Single Side Glare Shield) not compatible with Surface Mounting Bracket


### CONTROLLER

	CTR-eLi Controller-CAS-RGBW Pixel-IP66	eLi Controller, Casambi Control, For eLi RGBW Pixel (NRZ Output), Outdoor
	CTR-eLi Controller-DMX-RGBW Pixel-IP66	eLi Controller, DMX (Full Frames) Control, For eLi RGBW Pixel (NRZ Output), Outdoor

### POWER SUPPLY FOR OUTDOOR USE

	PWR-HLG-60H-42AU	Mean Well Power Supply HLG 60W 42V
	PWR-HLG-150H-42AU	Mean Well Power Supply HLG 150W 42V
	PWR-HLG-240H-42AU	Mean Well Power Supply HLG 240W 42V
	PWR-HLG-320H-42AAU	Mean Well Power Supply HLG 320W 42V
	PWR-HLG-600H-42AB	Mean Well Power Supply HLG 600W 42V

### CABLE EXTENSIONS

	CBL-LNR-OC8FO-DC/DATA-L-IP66-1M	Leader Cable with Female Outdoor Connector OC8FO, 1M DC AWG14 + DATA Cable
	CBL-LNR-OC8FO-DC/DATA-L-IP66-5M	Leader Cable with Female Outdoor Connector OC8FO, 5M DC AWG14 + DATA Cable
	CBL-LNR-OC8FO-DC/DATA-L-IP66-15M	Leader Cable with Female Outdoor Connector OC8FO, 15M DC AWG14 + DATA Cable
	CBL-LNR-OC8FO-DC/DATA-L-IP66-30M	Leader Cable with Female Outdoor Connector OC8FO, 30M DC AWG14 + DATA Cable
	CBL-LNR-OC8FO-DC/DATA-L-IP66-50M	Leader Cable with Female Outdoor Connector OC8FO, 50M DC AWG14 + DATA Cable
	CBL-LNR-OC3MF-DC-J-IP66-0.3M	Joiner Cable with Male & Female Outdoor Connectors OC3MF, 300mm DC Cable AWG14
	CBL-LNR-OC3MF-DC-J-IP66-3M	Joiner Cable with Male & Female Outdoor Connectors OC3MF, 3M DC Cable AWG14
	CAP-LNR-M19F-DC-T-IP66	Waterproof Termination Cap for M19 Female Connector