

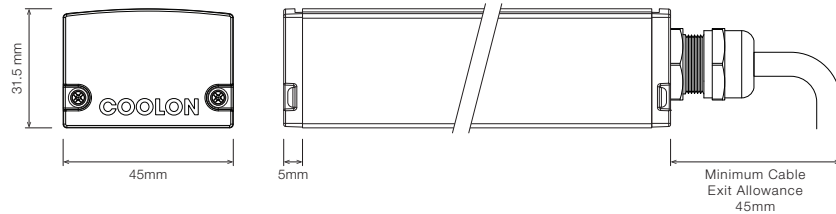


ELECTRO INSTALLATION INSTRUCTIONS

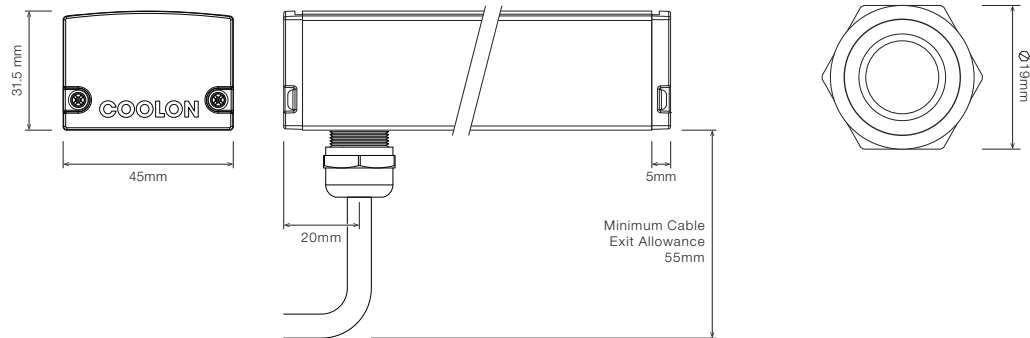


PROFILE DIMENSIONS

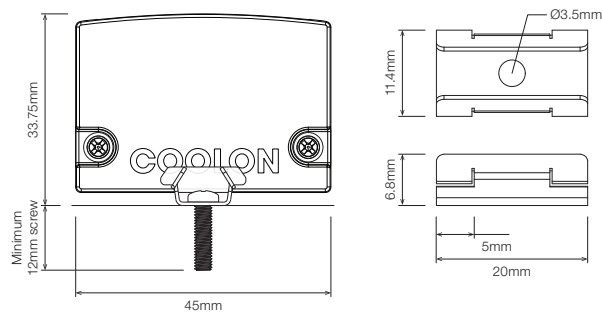
Wire from side



Wire from back



DIMENSIONS WITH STAINLESS STEEL C-CLIP

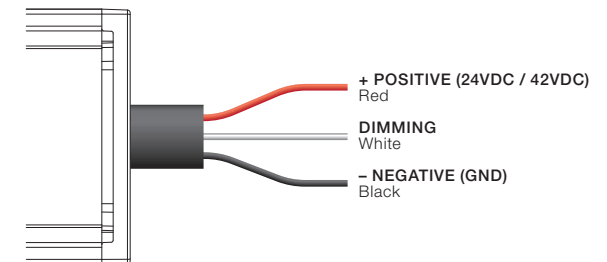


⚠ ATTENTION

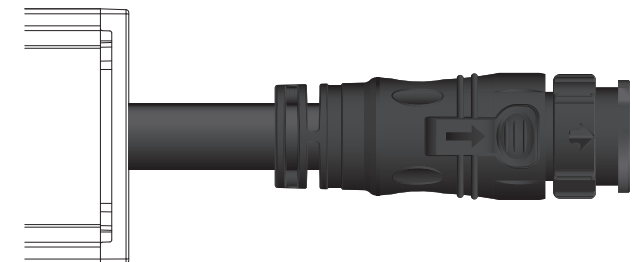
- Please observe / follow the instructions methodically.
- Please ensure the units are handled with extreme care.
- Do not remove LED strips from packaging prematurely. Only remove from packaging when ready for installation.
- Failure to observe installation instructions and handling will void warranty of the product.
- Fittings must be installed by a licensed electrician.
- Before installing, make sure the power supply is switched off.

WIRING OPTIONS

3 wires (RBW)



2pin Male connector - Outdoor only

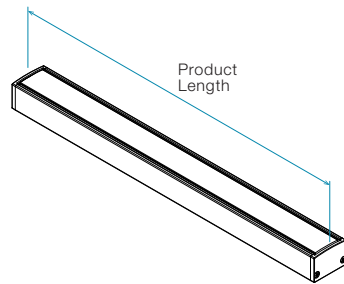


STEP 1

Before you begin installation, ensure that you understand the fitting layout required as supplied fitting lengths may vary.

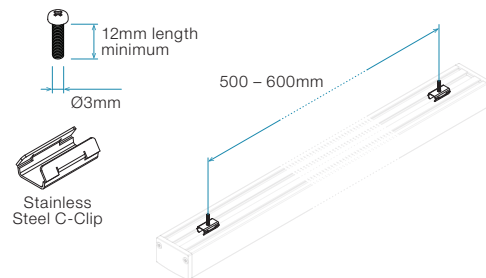
Refer to the supplied cut sheet for length breakdowns.

*For fittings 1 metre or longer two installers are recommended.



STEP 2

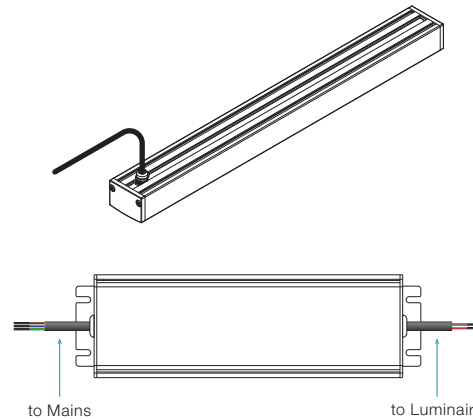
Prepare mounting clips and screws ($\text{\O}3\text{mm}$ with a minimum length of 12mm). Secure mounting clips with screws on timber or metal surface ensuring that mounting clips are straight with spacings of 300mm.



STEP 3

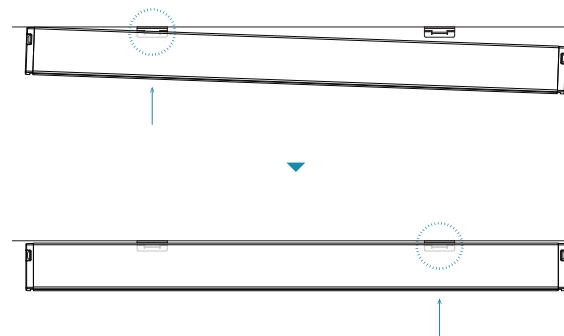
If the fitting is wired from the back it will need to be wired **before** mounting. Ensure that you have allowed enough space to accommodate the cable gland exiting the back.

Wire the fitting to the correct power supply as advised on the cut sheet.



STEP 4

Lay the LED fitting on top of the clips and align so all clips are centred. Starting at one end push down the fitting until you hear the clip lock into place. Continue along the profile until all clips are locked.



STEP 5

If the fitting is wired from the side it will need to be wired **after** mounting.

Wire the fitting to the correct power supply as advised on the cut sheet.

