



DALI POINT

DALI To 5 Amps 1 Channel LED Driver

Coolon DALI Point is the world's most reliable DALI to PWM driver for architectural applications. Intelligent dimming solution for a wide range of LED luminaires and applications. Designed for maximum performance in a convenient small package.

Use DALI Point to interface between a remote standard DALI source and up to 5Amps constant voltage LED fittings. The lights and external power supply are conveniently connected using screw terminals on the output side. Input and output screw terminals are also provided in the interface side for DALI bus.



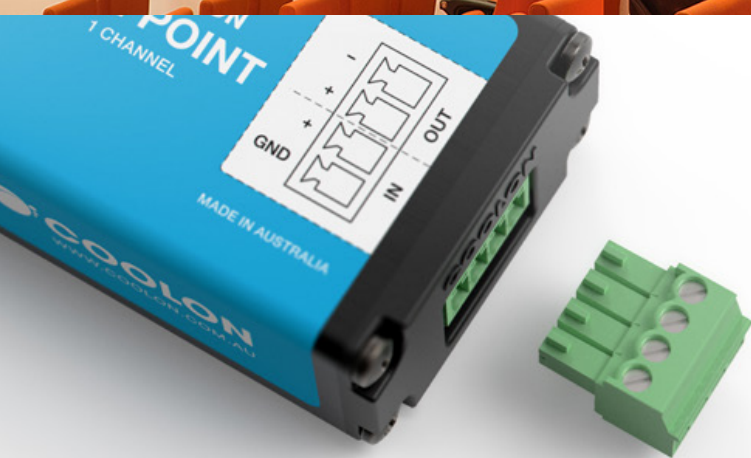


COMPACT

DALI Point driver is designed to suit most indoor DALI LED applications. A compact design allows it to be installed in the smallest of spaces.

RELIABLE

Coolon LED drivers are designed and built to the highest standards and offer high-performance, reliability and efficiency supported by our 3 years standard warranty or up to 5 years extensive warranty.



SIMPLE

Connect using screw terminal plugs, making on-site installations free of specialized tools or crimping. The plug type connectors simplify installation and troubleshooting.

CONVENIENT

It will turn a wide variety of LED luminaires into a dimmable fitting via DALI input and PWM output. Compact yet highly capable, DALI Point drives up to a 5 Amp load.

TECHNICAL SPECIFICATIONS

Product Code	DRV-DALIPOINT-1X5A
Description	DALI 5 Amps 1 Channel LED Driver Indoor
Device Type	Standard DALI input, open drain constant voltage output (suitable for constant voltage LED Lights without dedicated brightness control line)
Control Protocol	DALI Standard Compliant
Solid State Output	MOSFET, Open drain configuration
PWM Frequency	242 Hz
Dimming Range	1 – 100%
Load / Supply Voltage	24 – 48VDC
Power Consumption	0.25W
Load Voltage	24 – 48VDC
Max Load Current	5A
Enclosure	Plastic Enclosure (Fully Isolated)
IP Rating	IP40
Working Temperature	-10 to +50°C
Connection	Screw Terminals (Plug type connector)

APPLICATIONS

DALI Point can be used to remotely control a variety of Coolon LED luminaires, yet is also suitable for most constant voltage LED products. Most popular applications are:

Architectural Lighting	Ceilings	Commercial Lighting
Coves	Offices	

COMPATIBILITY

Suitable to use with the following Coolon Products:

Alto	Aris UG	Electro
Forma	Interra	Max Mini UG
Multo	Multo CC	Slim

FEATURES



Enclosed controllers are protected against solid objects greater than 1mm. No Protection against liquids.

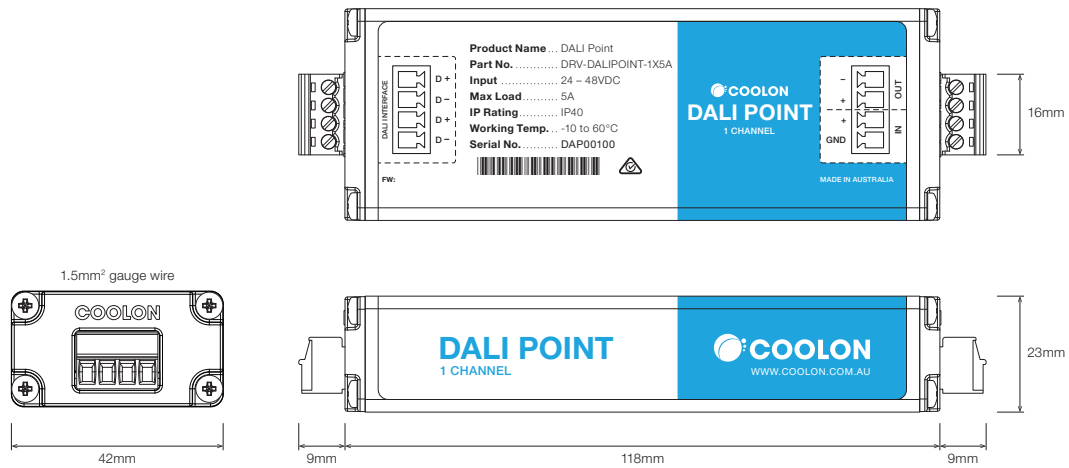


Coolon Controllers are covered by a solid comprehensible 5 year manufacturer's warranty.

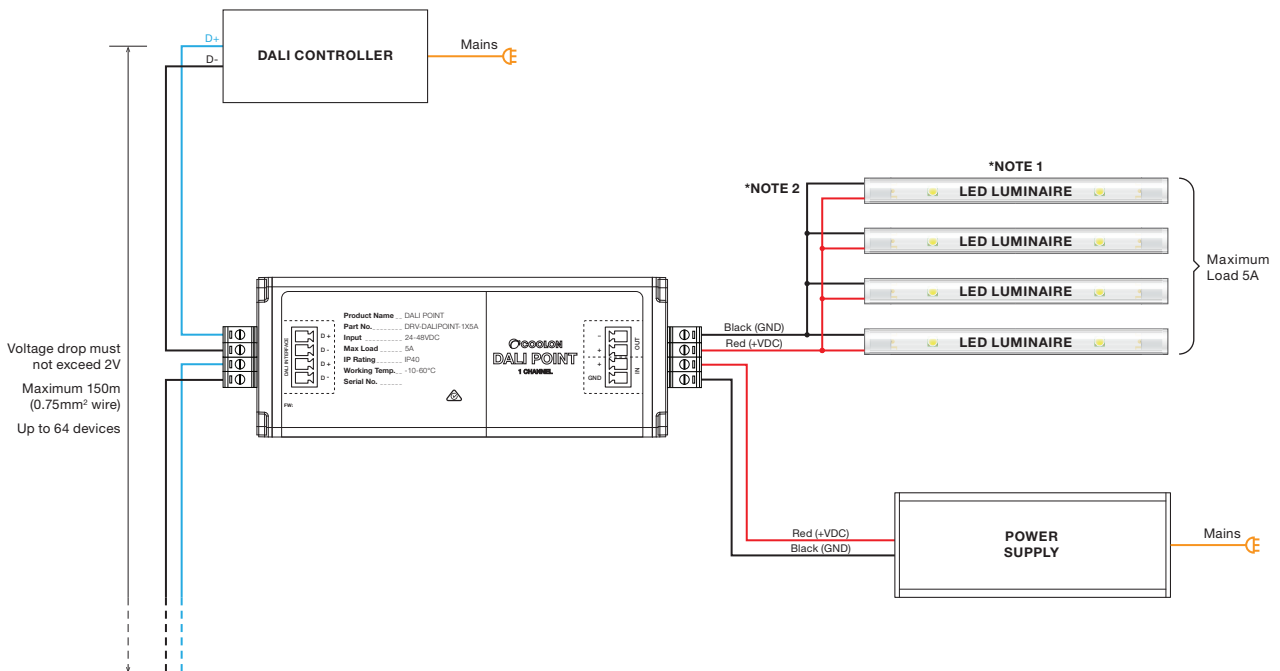


Our products are designed and manufactured in Australia to ensure the highest standards.

■ DIMENSIONS



■ CONNECTION DIAGRAM



*NOTE 1 DO NOT EXCEED maximum single of each luminaire check individual product specifications for run length.
 *NOTE 2 Maximum overall distance from power supply to strips **MUST NOT EXCEED** 15 metres if AWG13 or 1.83mm² cable is used.