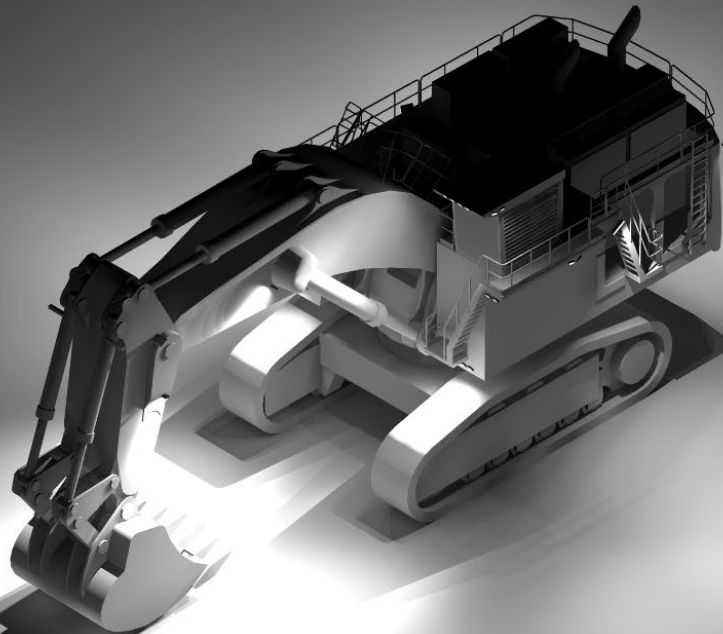


LIEBHERR

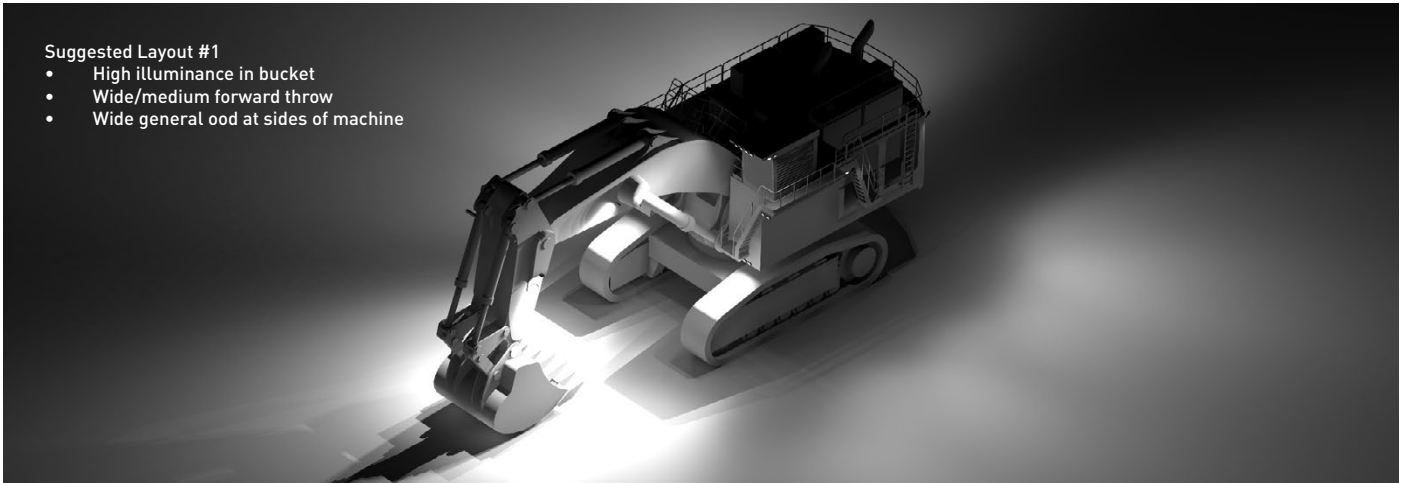
R9800

Lighting Design Simulation Report



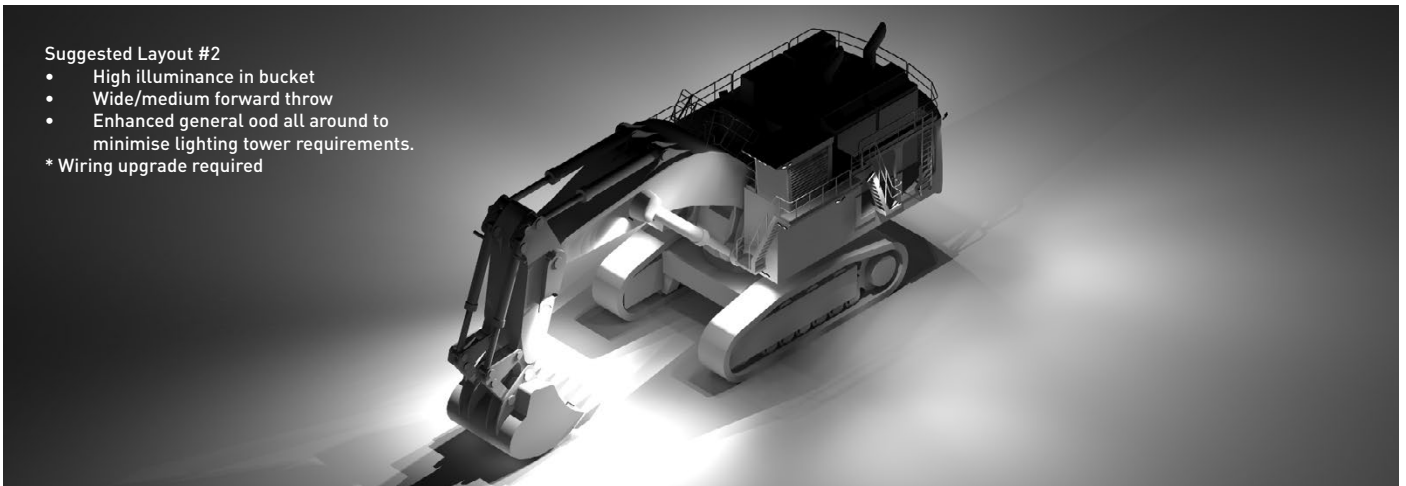
Suggested Layout #1

- High illuminance in bucket
- Wide/medium forward throw
- Wide general ood at sides of machine



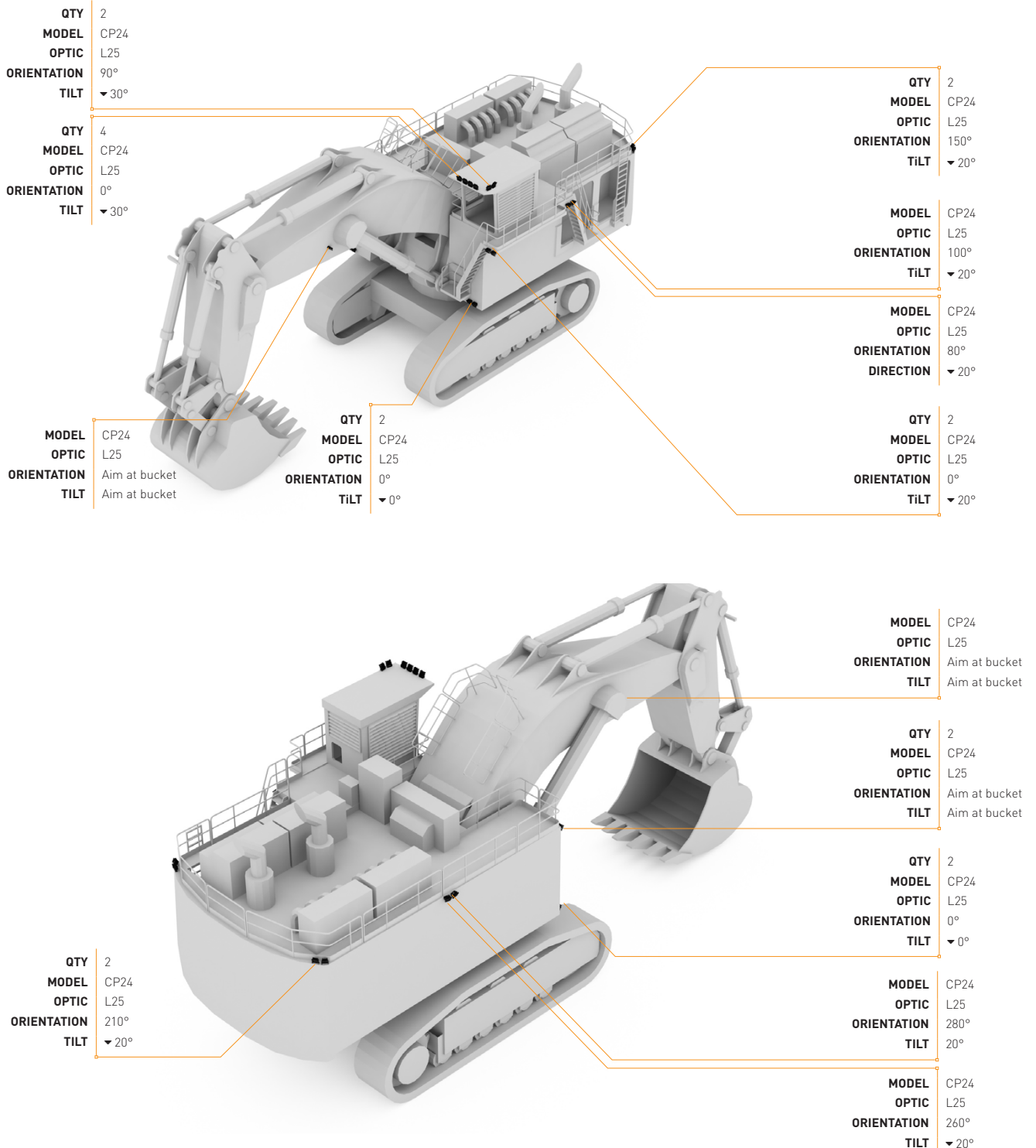
Suggested Layout #2

- High illuminance in bucket
 - Wide/medium forward throw
 - Enhanced general ood all around to minimise lighting tower requirements.
- * Wiring upgrade required



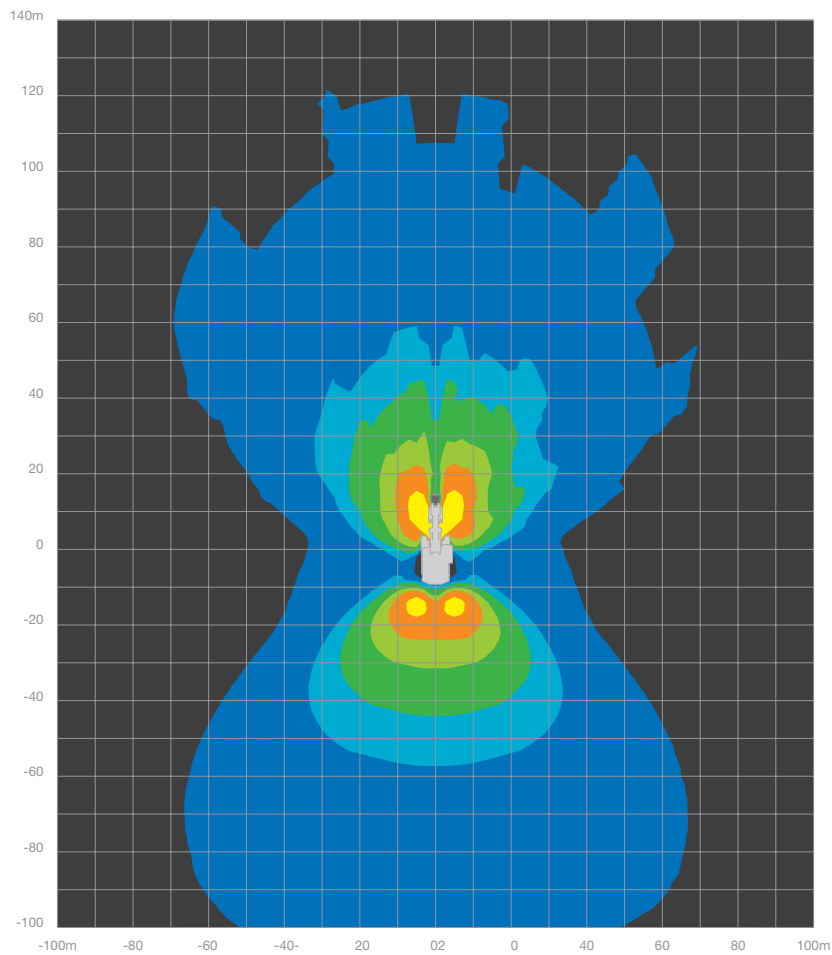
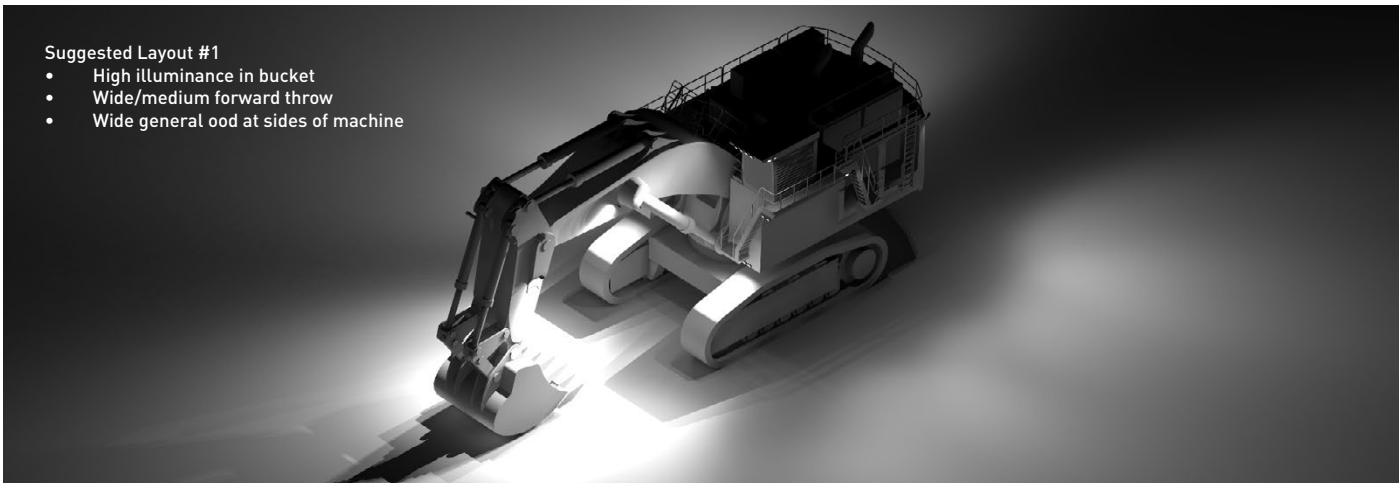
SUGGESTED LAYOUT #1

Model No.	Luminaire	Optic Type	Quantity
CP24-M-L25-MPB-NPS	CP24 Flood Light	L25 - 50° Beam Angle	24
MC12-D-NOP-WBR-ST	Machine Light Flood Light	Diffused No Optics	18



Suggested Layout #1

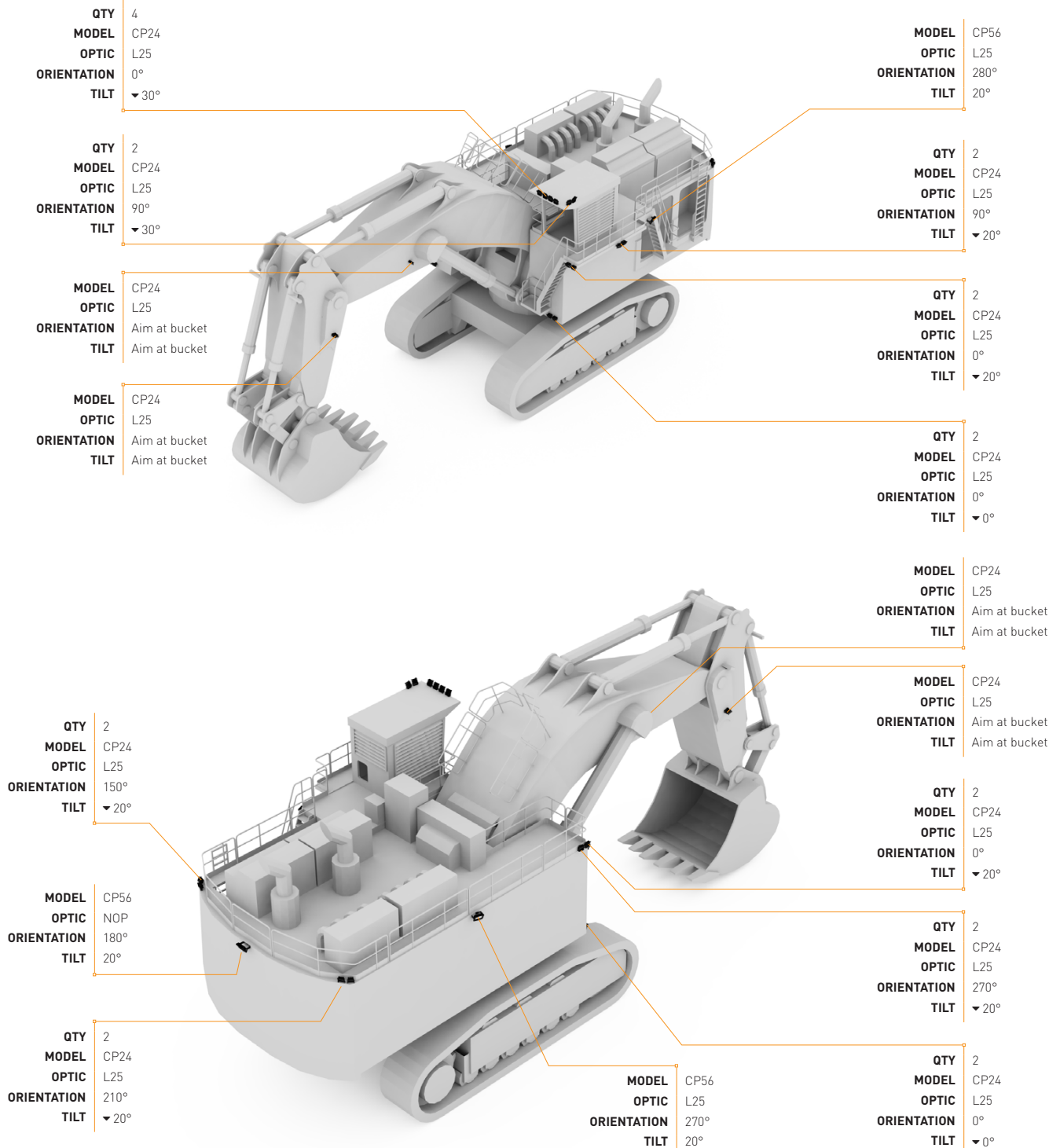
- High illuminance in bucket
- Wide/medium forward throw
- Wide general hood at sides of machine



Light loss/maintenance factor: 0.85
Ambient temperature: 35°C

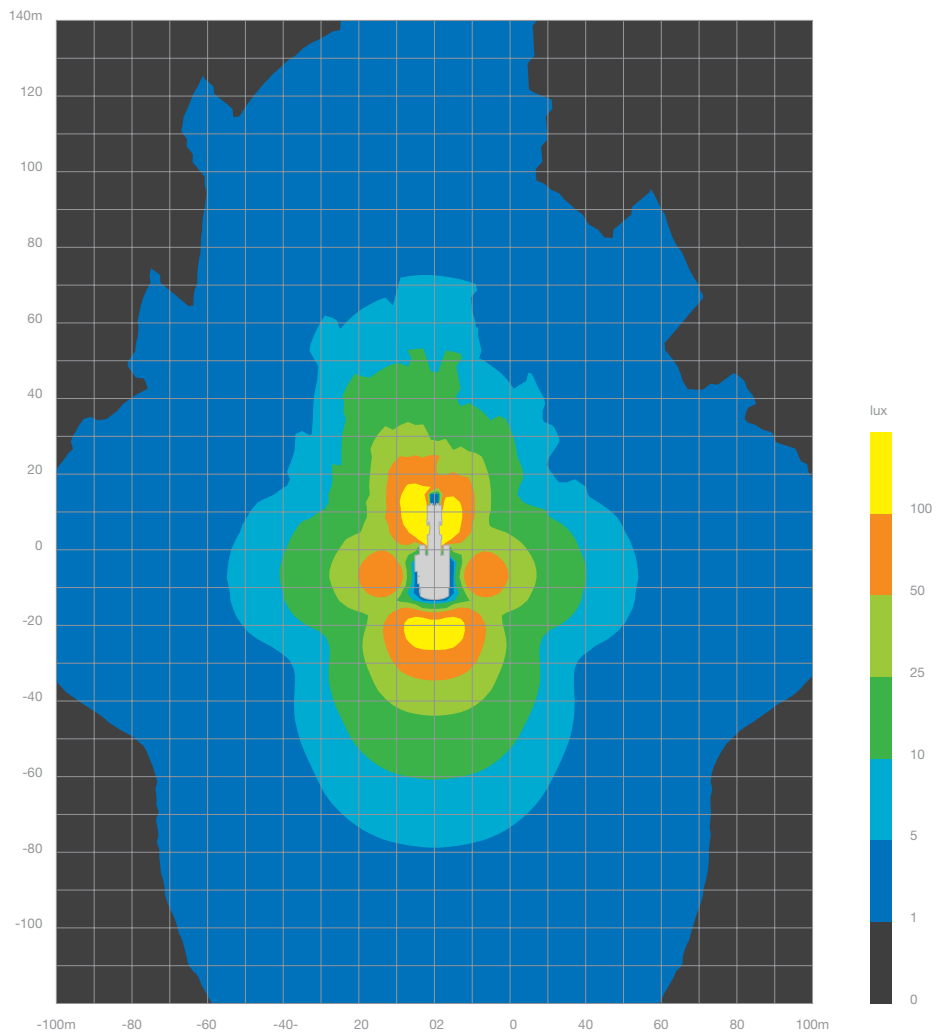
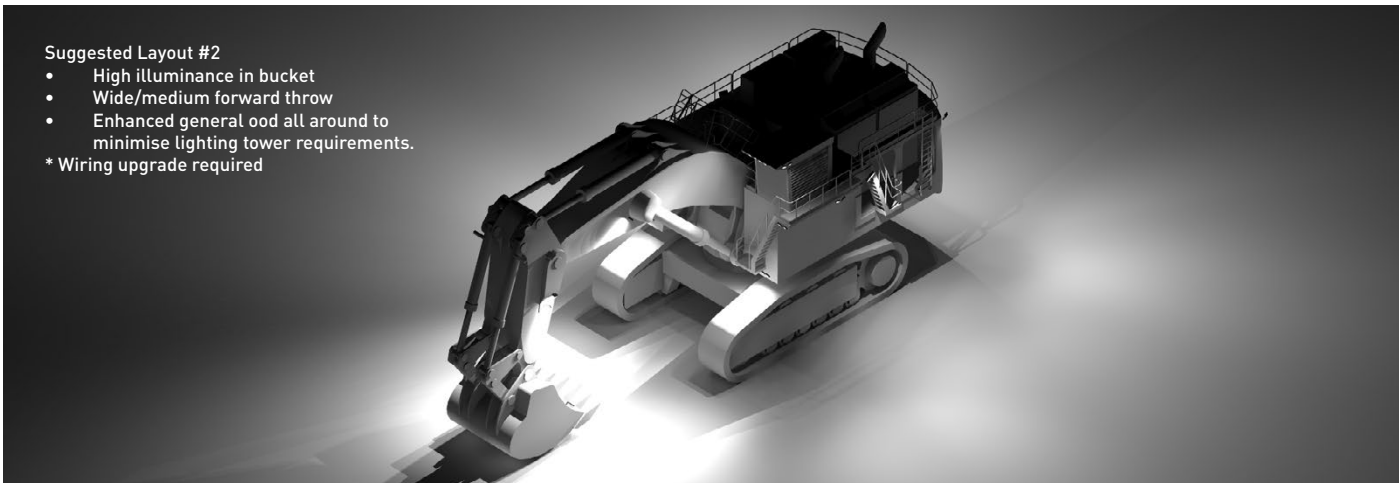
SUGGESTED LAYOUT #2

Model No.	Luminaire	Optic Type	Quantity
CP56-L25-MPB-NPS	CP56 Flood Light	L25 - 50° Beam Angle	3
CP24-M-L25-MPB-NPS	CP24 Flood Light	L25 - 50° Beam Angle	26
MC12-D-NOP-WBR-ST	Machine Light Flood Light	Diffused No Optics	18



Suggested Layout #2

- High illuminance in bucket
 - Wide/medium forward throw
 - Enhanced general flood all around to minimise lighting tower requirements.
- * Wiring upgrade required



Light loss/maintenance factor: 0.85
Ambient temperature: 35°C