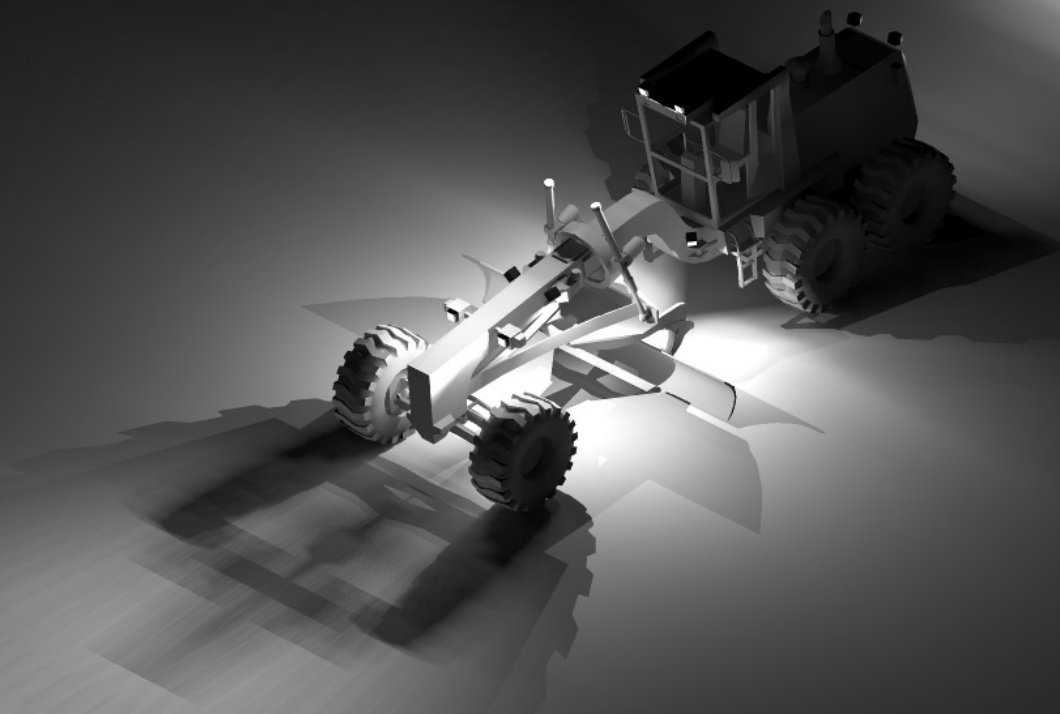


KOMATSU

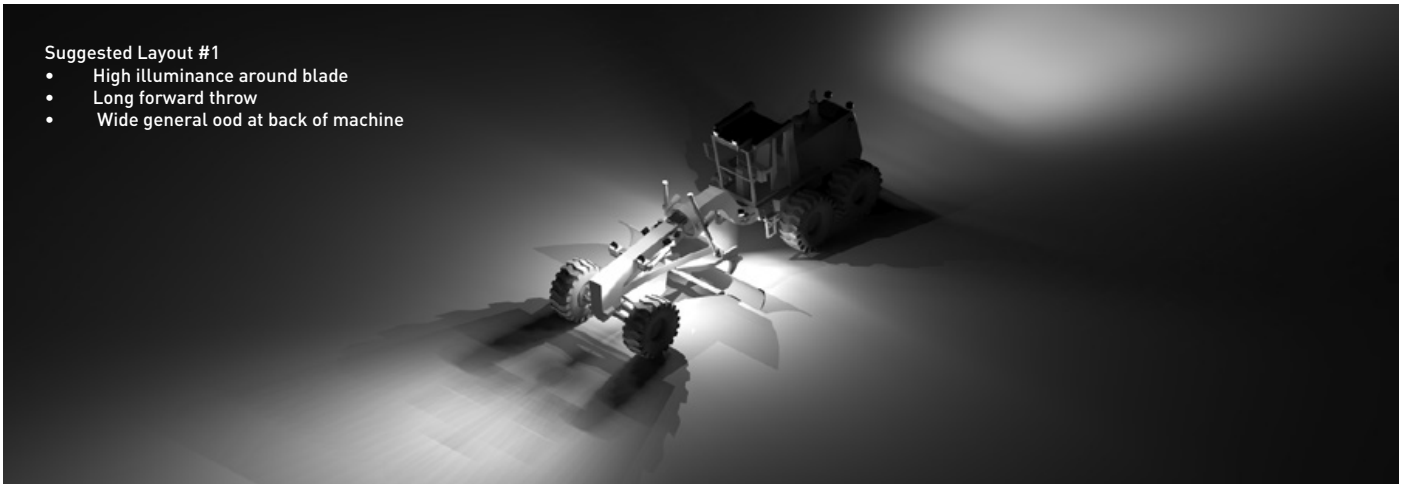
GD825A

Lighting Design Simulation Report

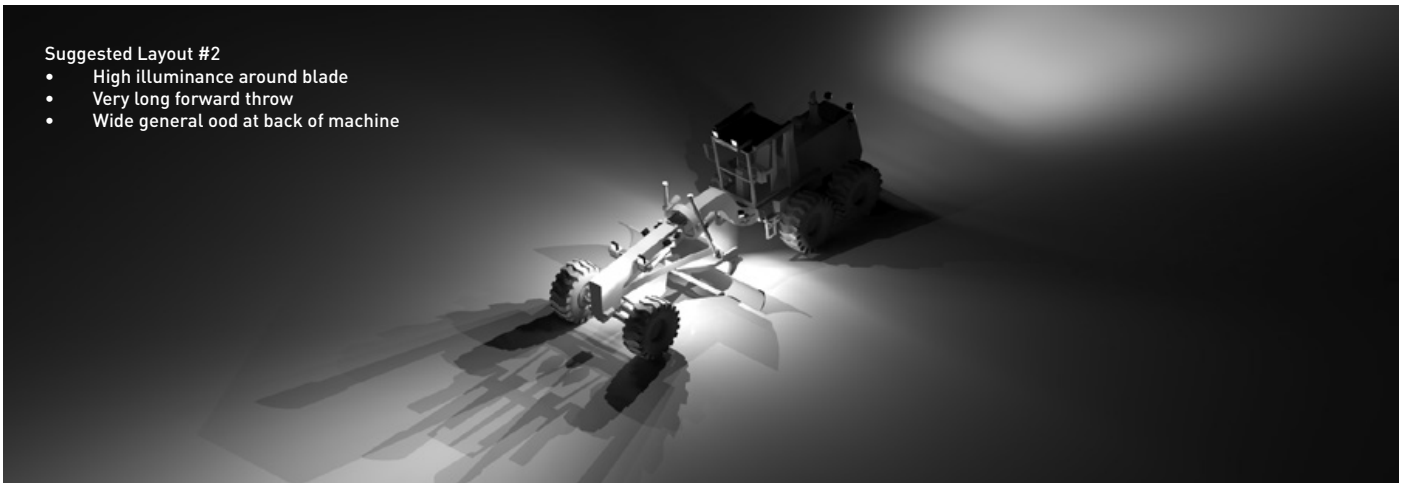


Suggested Layout #1

- High illuminance around blade
- Long forward throw
- Wide general hood at back of machine

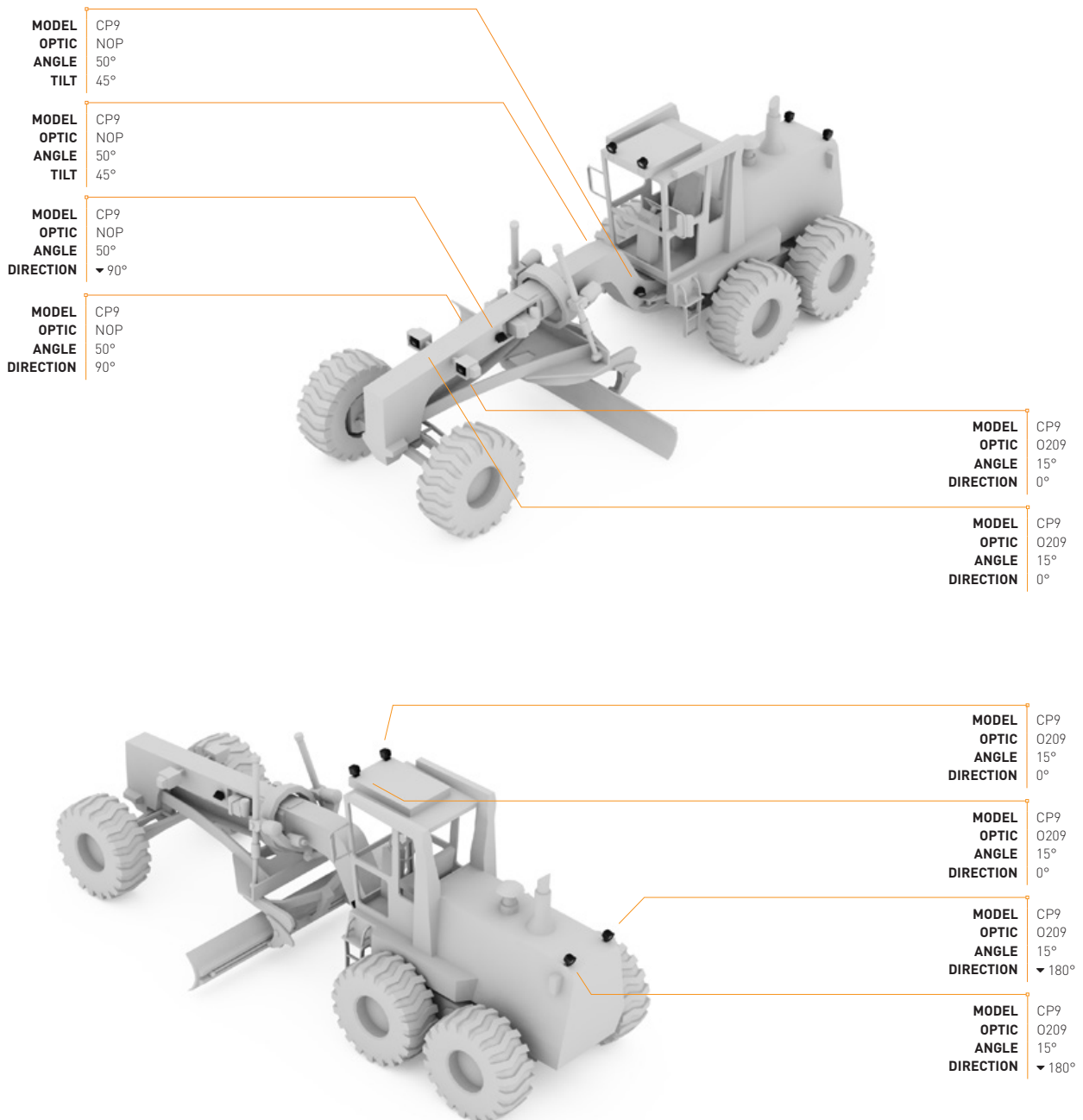
**Suggested Layout #2**

- High illuminance around blade
- Very long forward throw
- Wide general hood at back of machine



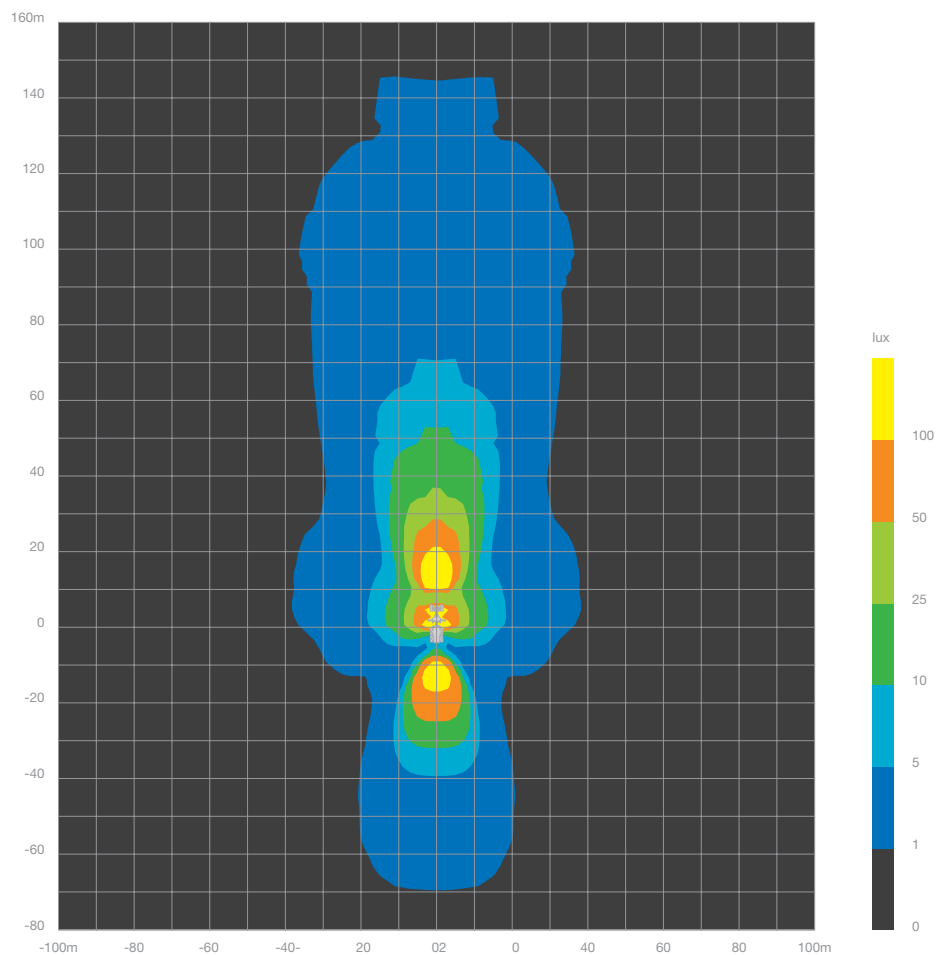
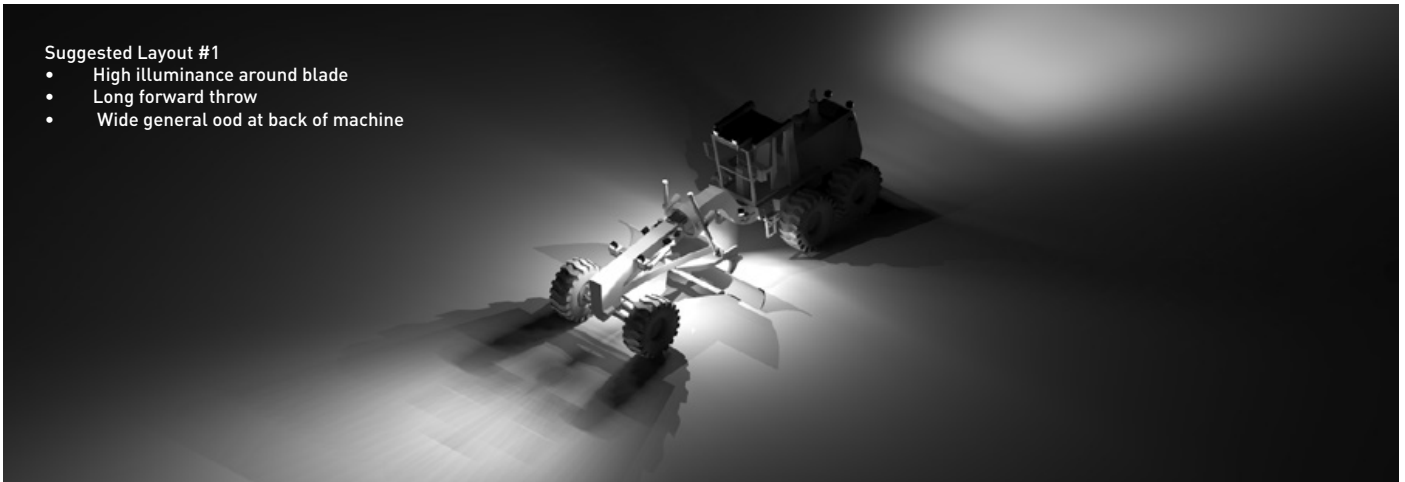
SUGGESTED LAYOUT #1

Model No.	Luminaire	Optic Type	Quantity
CP9-M-XML-0209-MPB-NPS	CP9 Flood Light	O209 - 40° x 18° Beam Angle	6
CP9-M-XML-NOP-MPB-NPS	CP9 Flood Light	No Optics (120° Beam Angle)	4



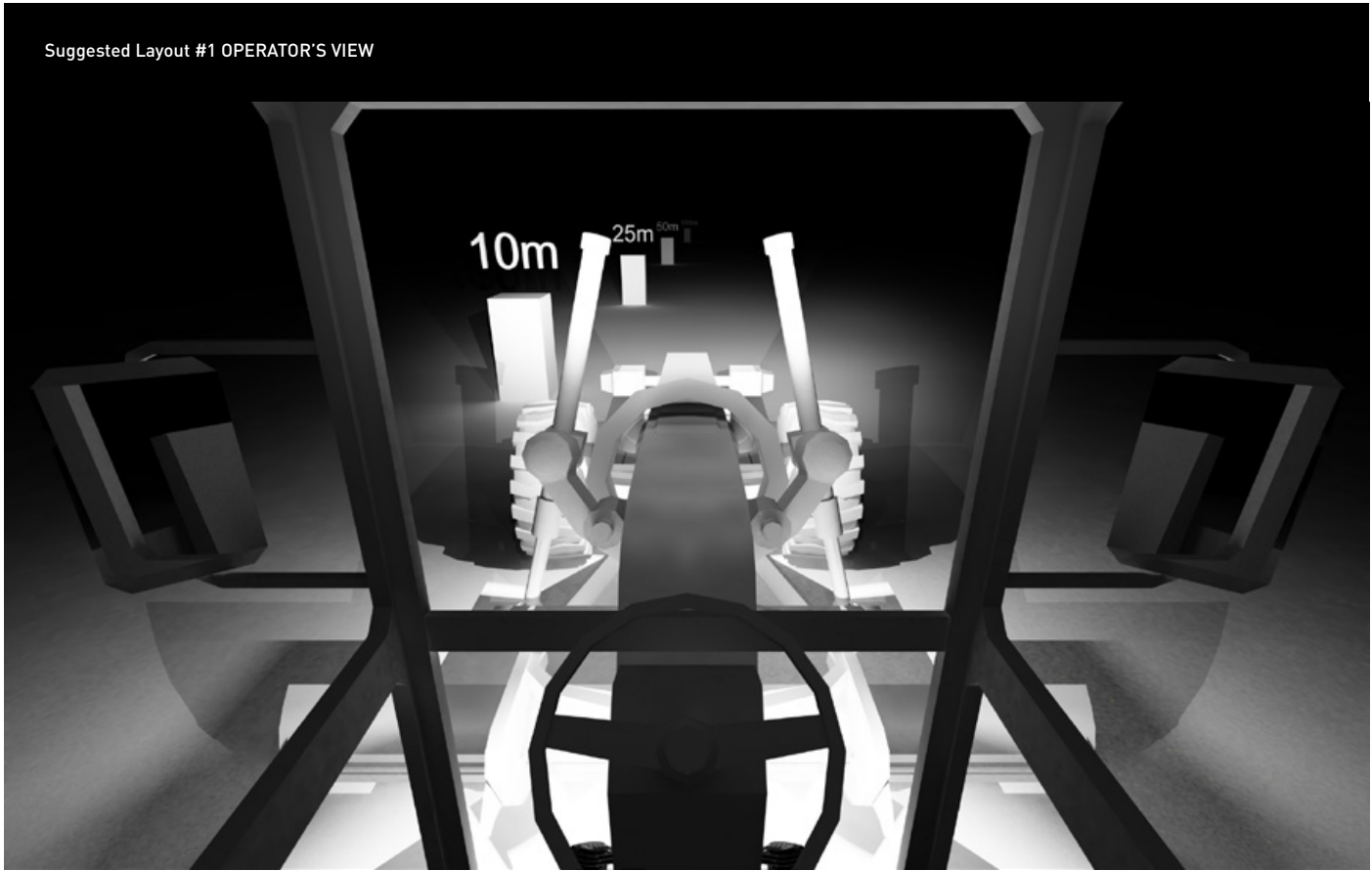
Suggested Layout #1

- High illuminance around blade
- Long forward throw
- Wide general hood at back of machine



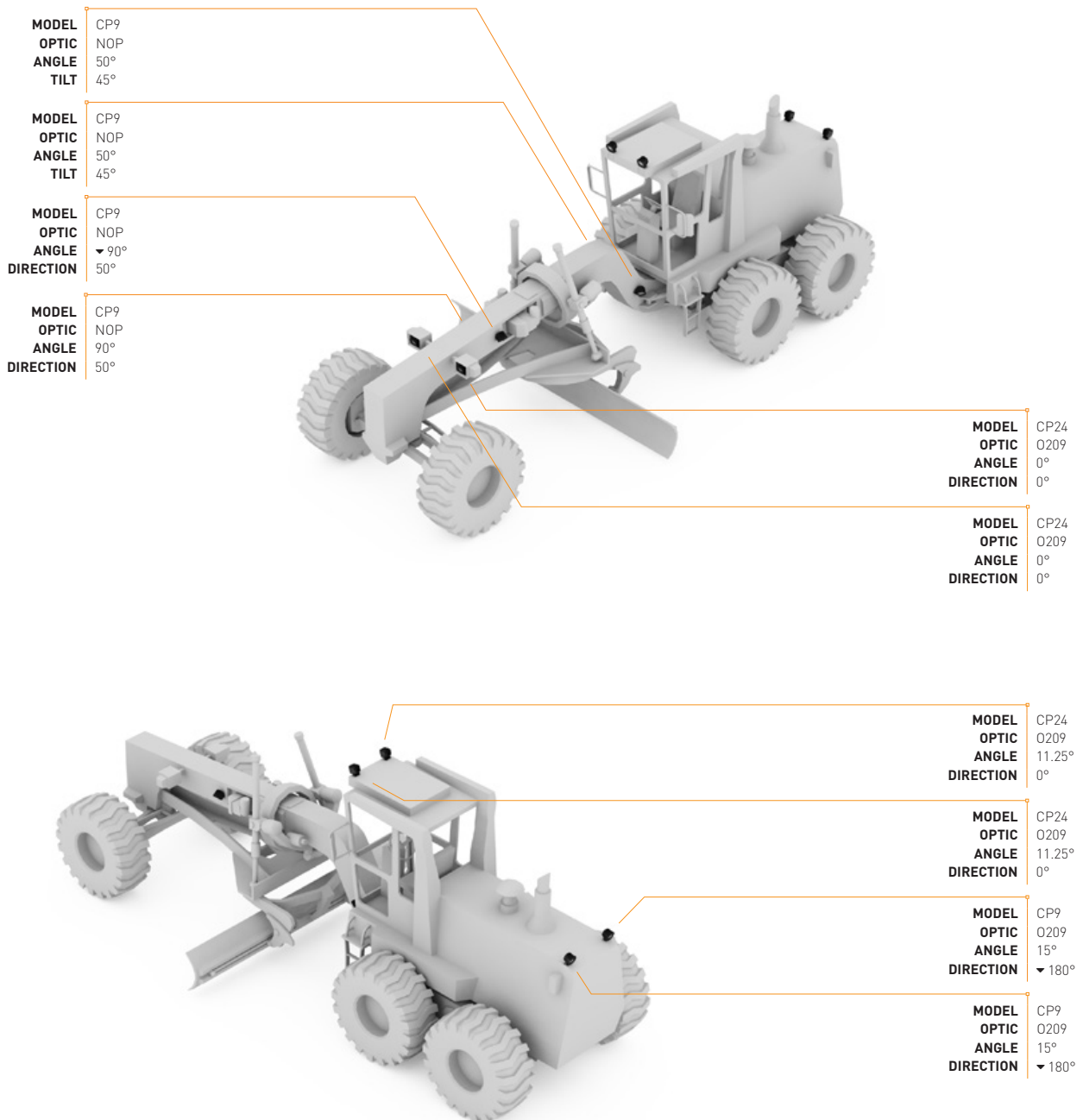
Light loss/maintenance factor: 0.85
 Ambient temperature: 35°C

Suggested Layout #1 OPERATOR'S VIEW



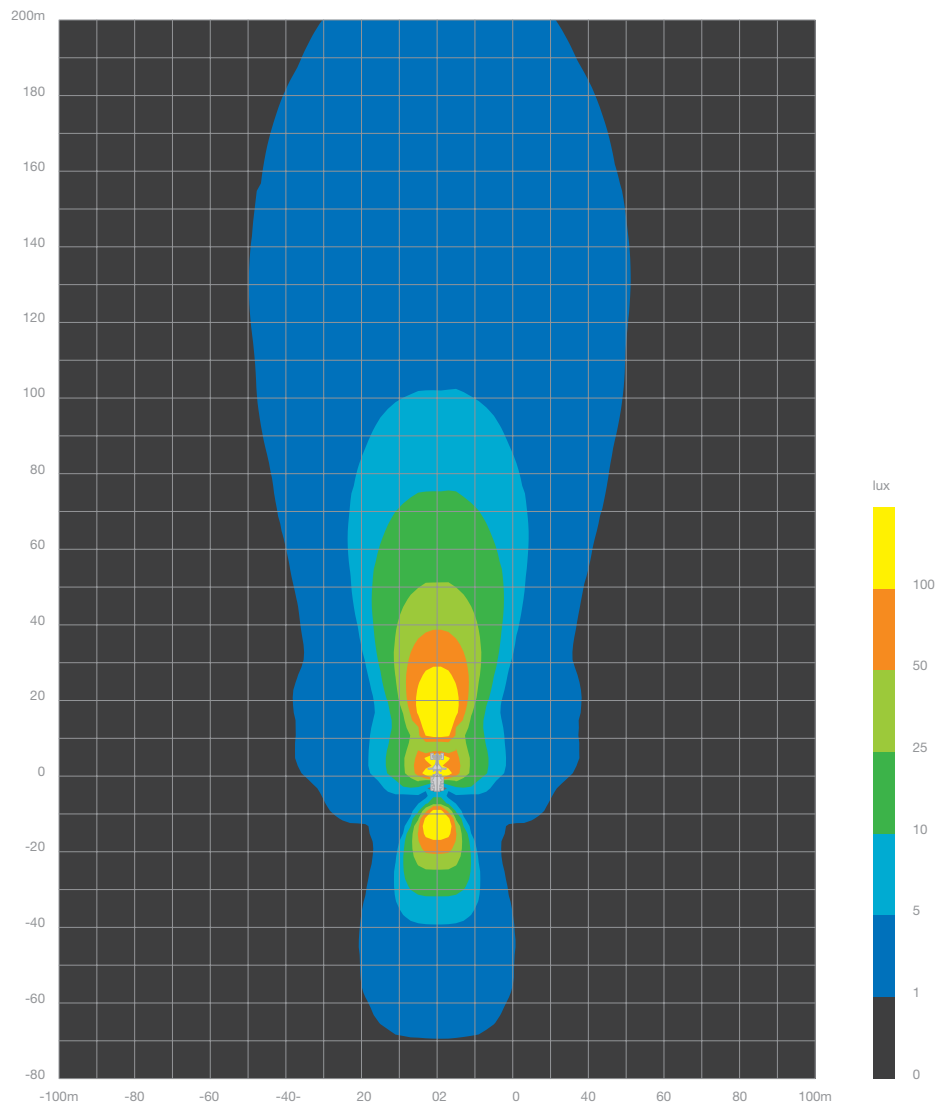
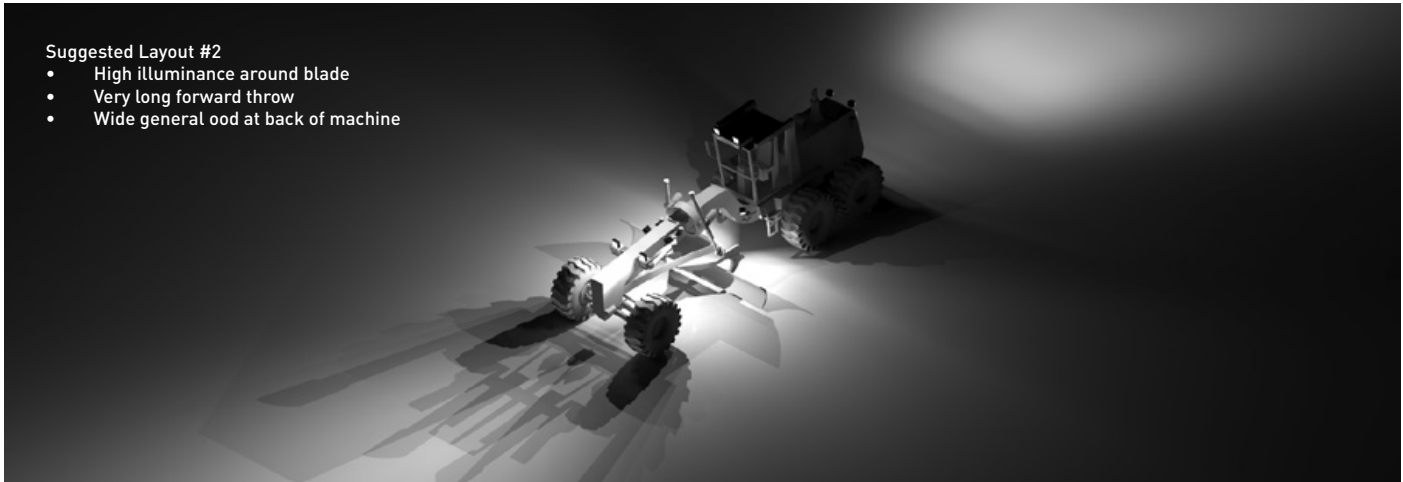
SUGGESTED LAYOUT #2

Model No.	Luminaire	Optic Type	Quantity
CP24-M-0209-MPB-NPS	CP24 Flood Light	O209 - 40° x 18° Beam Angle	4
CP9-M-XML-0209-MPB-NPS	CP9 Flood Light	O209 - 40° x 18° Beam Angle	2
CP9-M-XML-NOP-MPB-NPS	CP9 Flood Light	No Optics (120° Beam Angle)	4



Suggested Layout #2

- High illuminance around blade
- Very long forward throw
- Wide general hood at back of machine



Light loss/maintenance factor: 0.85
Ambient temperature: 35°C

Suggested Layout #2 OPERATOR'S VIEW

