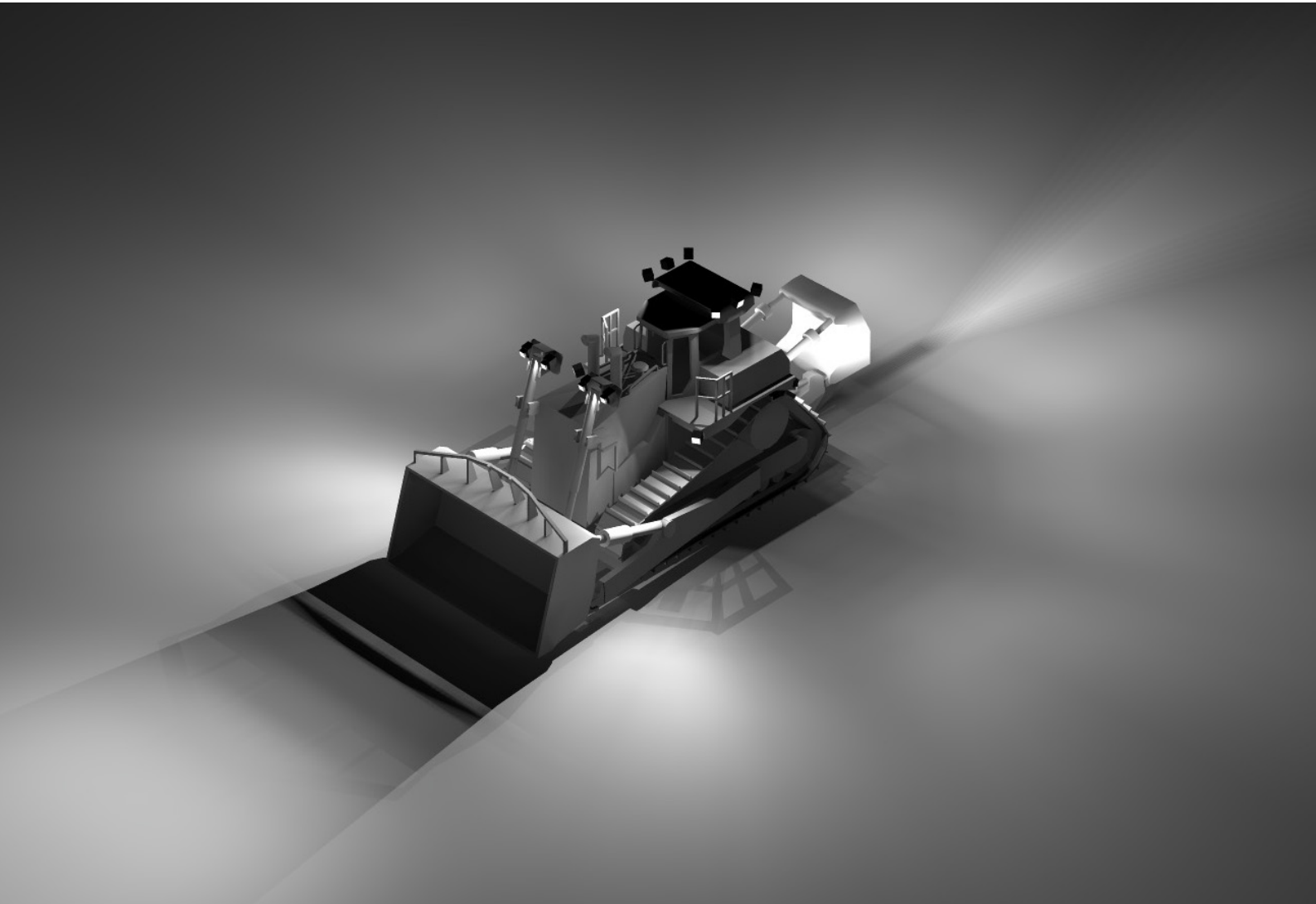


CATERPILLAR

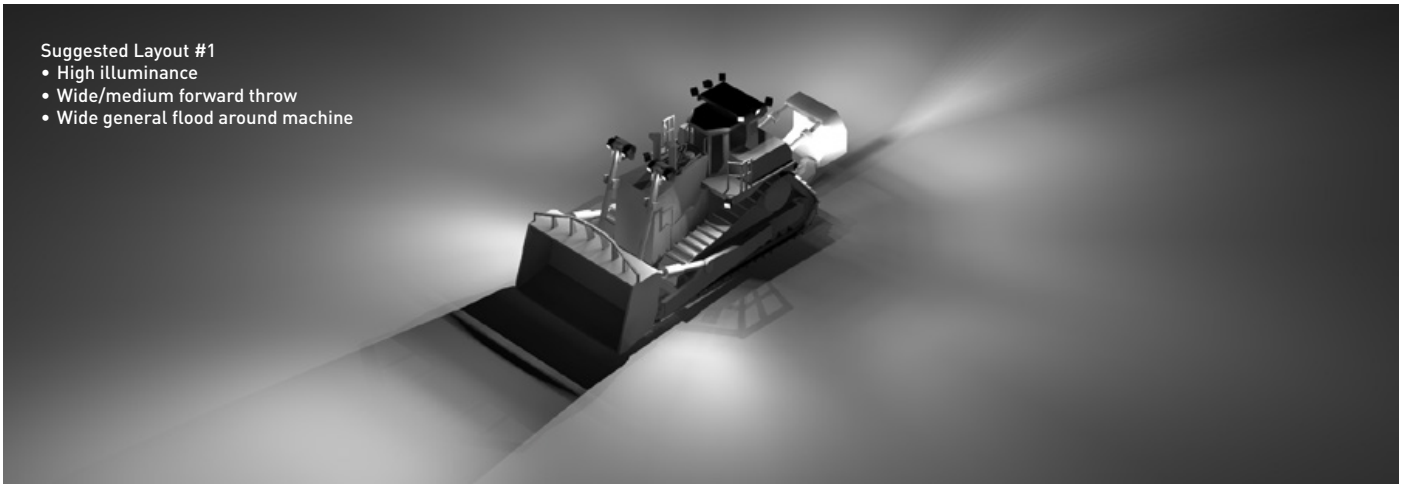
D11T

Lighting Design Simulation Report



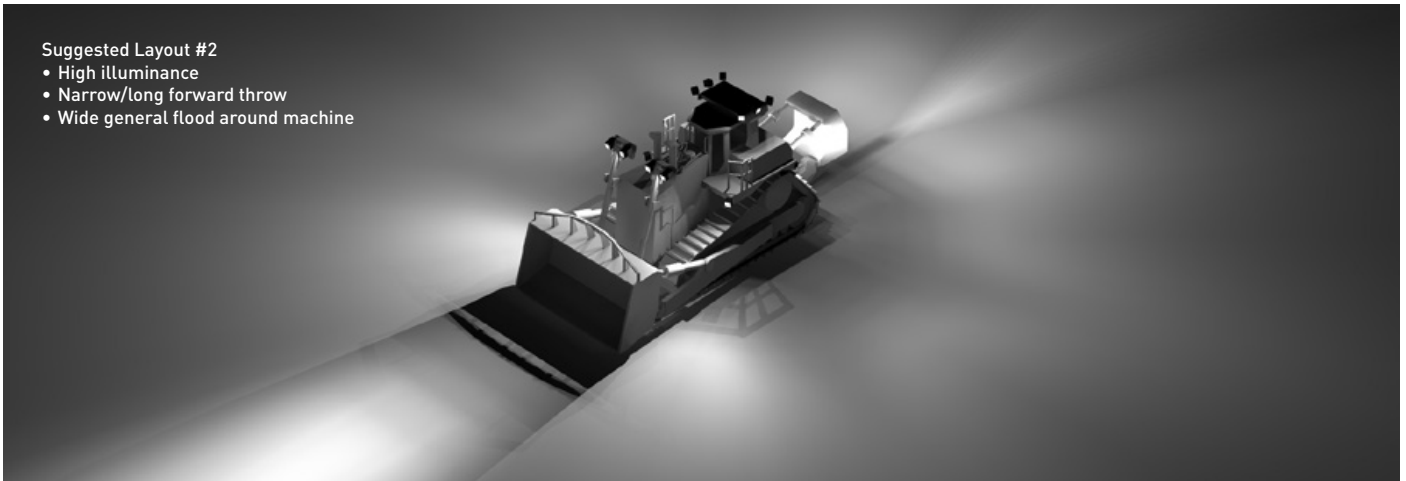
Suggested Layout #1

- High illuminance
- Wide/medium forward throw
- Wide general flood around machine



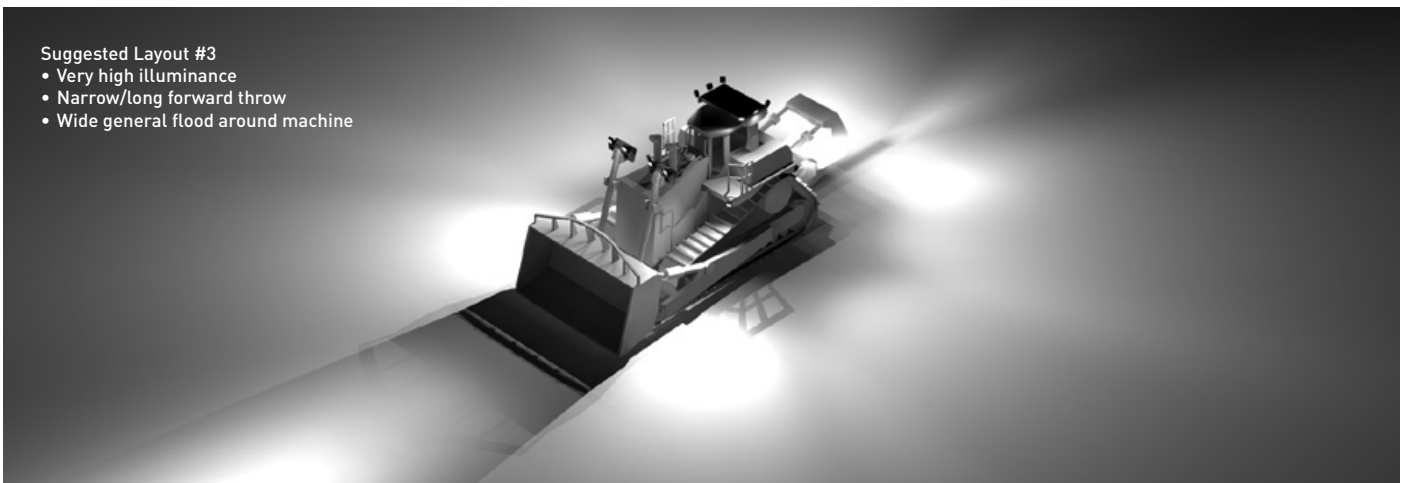
Suggested Layout #2

- High illuminance
- Narrow/long forward throw
- Wide general flood around machine



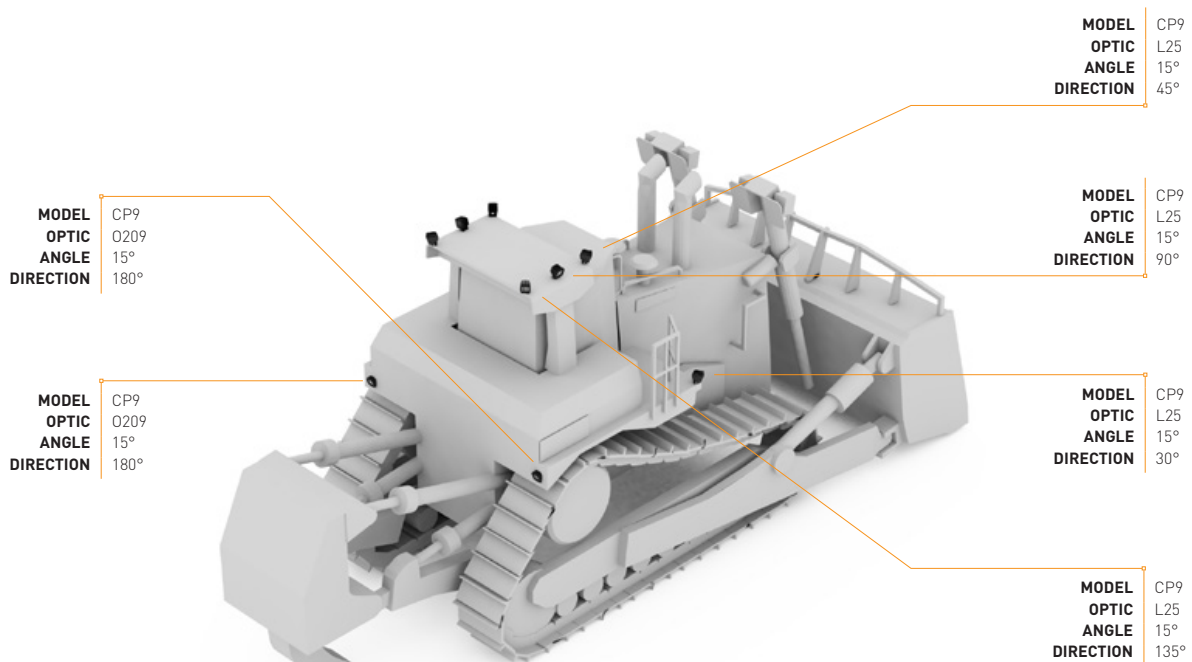
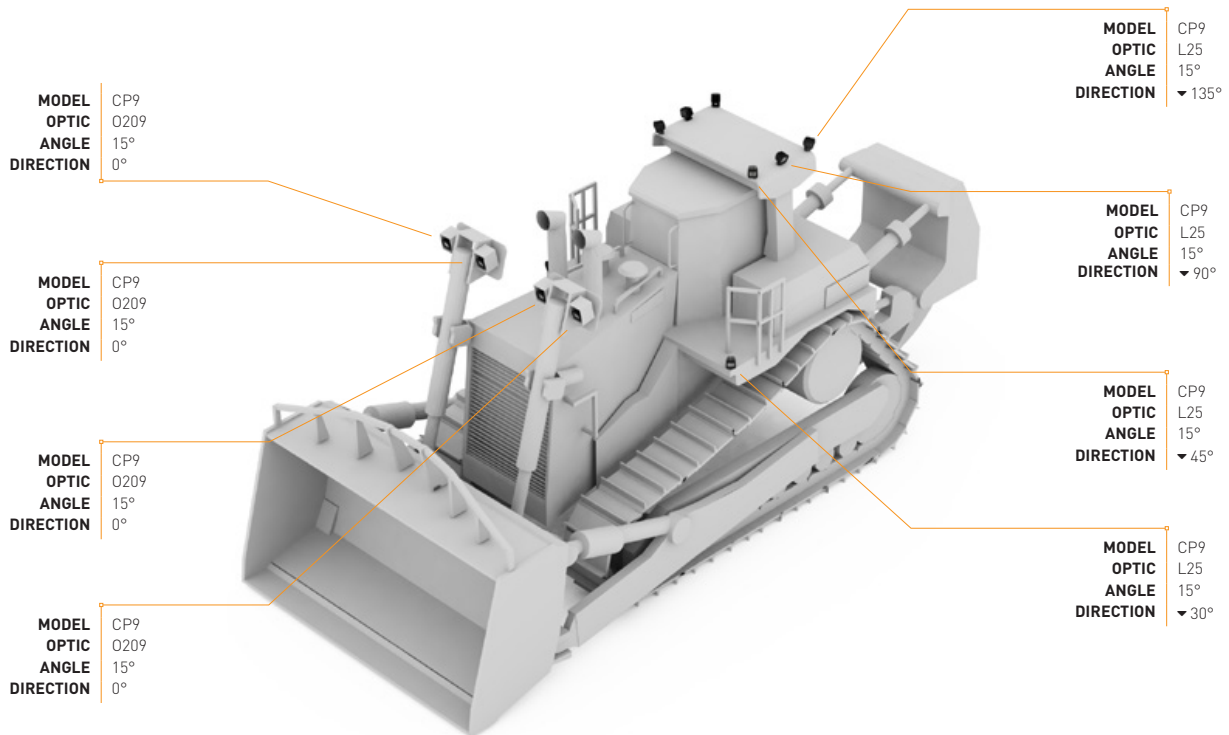
Suggested Layout #3

- Very high illuminance
- Narrow/long forward throw
- Wide general flood around machine



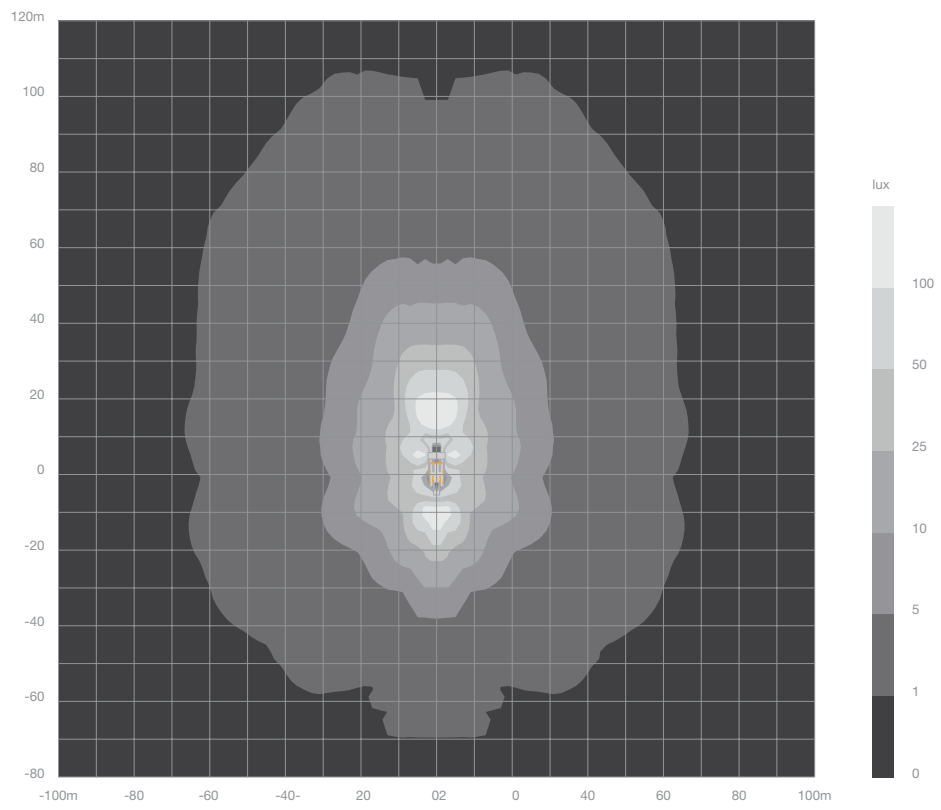
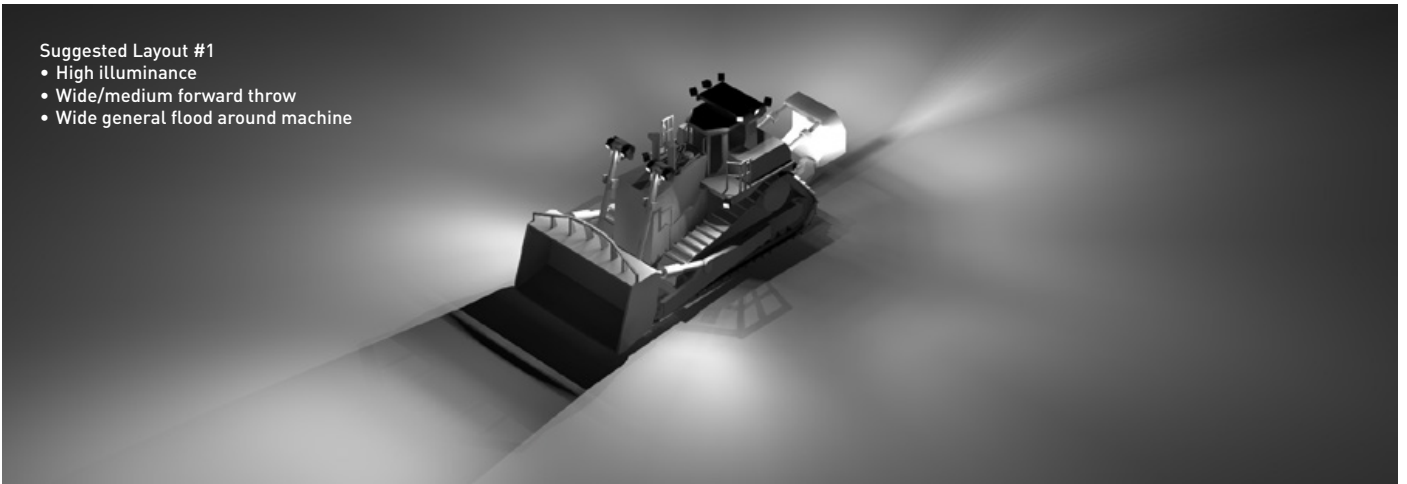
SUGGESTED LAYOUT #1

Model No.	Luminaire	Optic Type	Quantity
CP9-M-XML-0209-MPB-NPS	CP9 Flood Light	O209 - 40°x18° Beam Angle	6
CP9-M-XML-L25-MPB-NPS	CP9 Flood Light	L25 - 50° Beam Angle	8



Suggested Layout #1

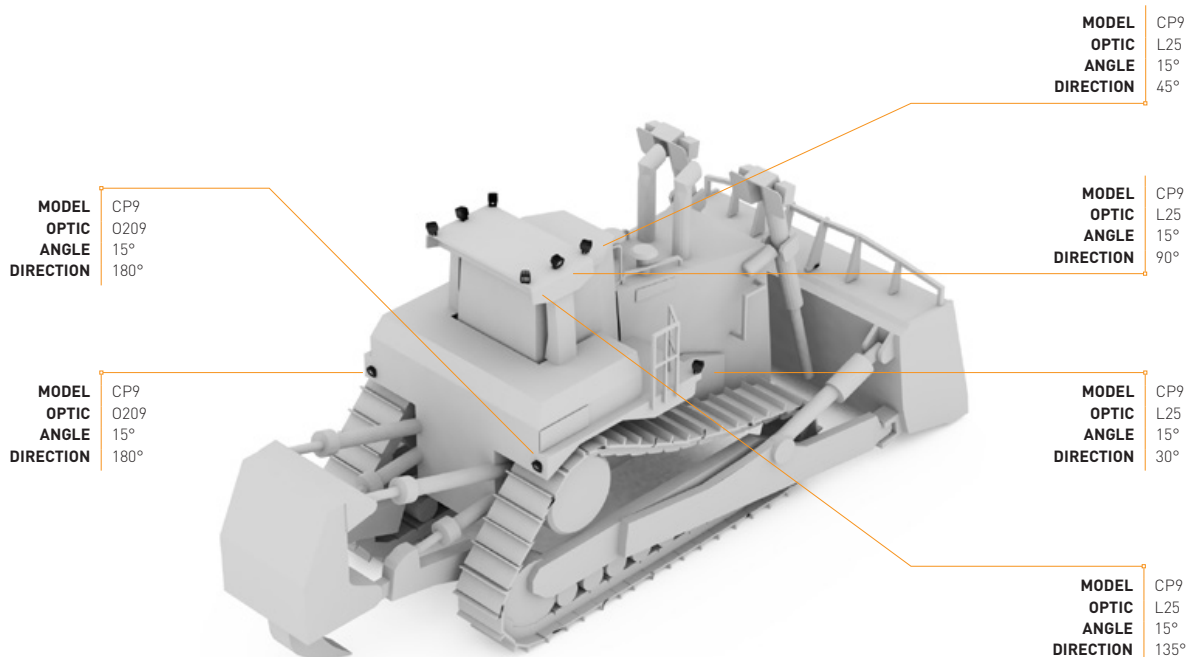
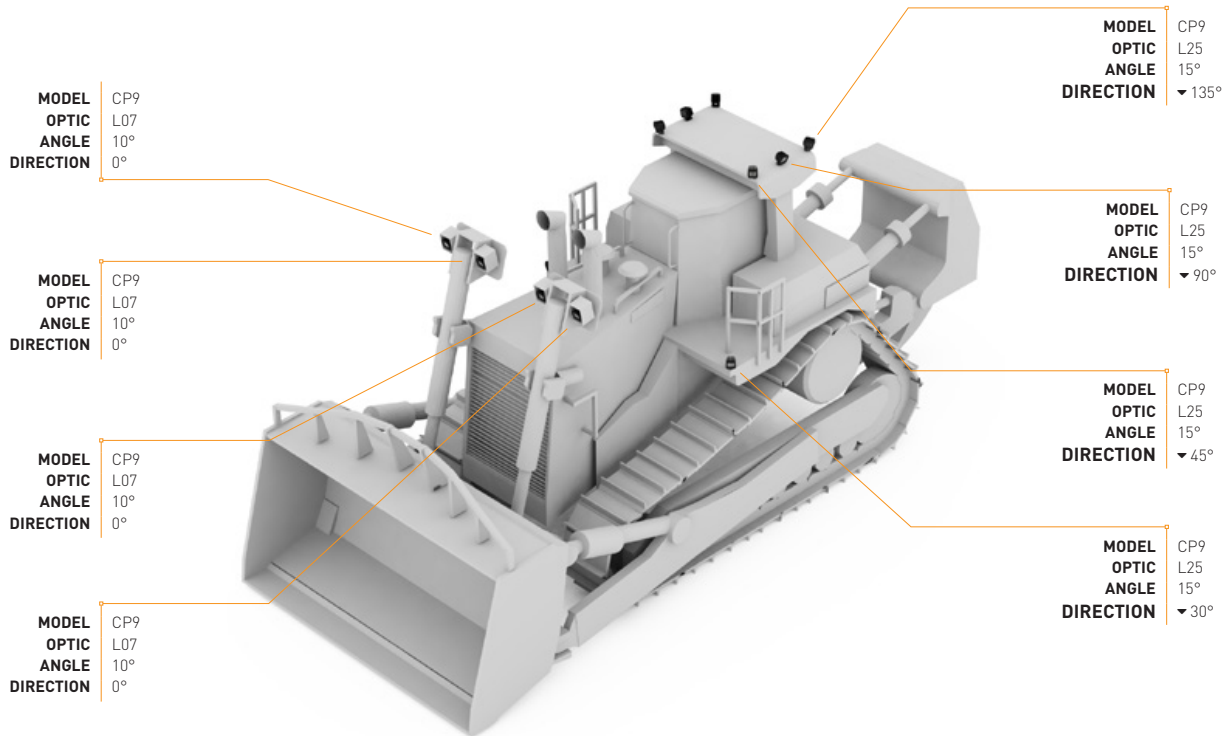
- High illuminance
- Wide/medium forward throw
- Wide general flood around machine



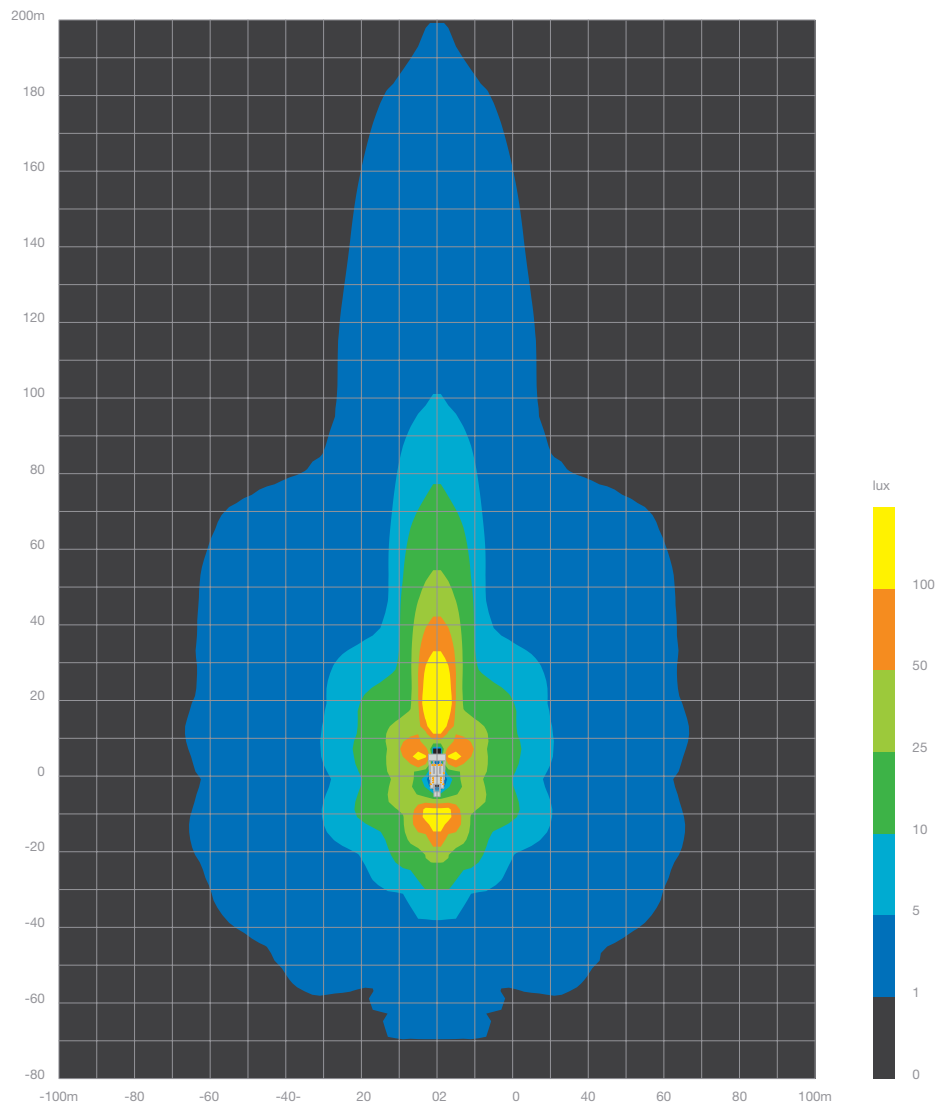
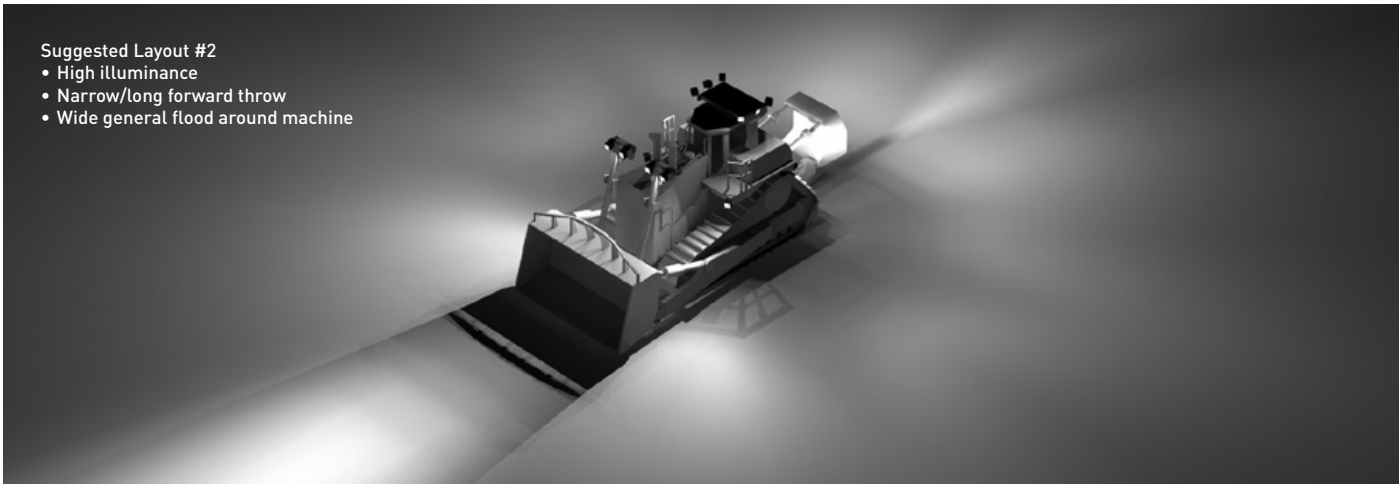
Light loss/maintenance factor: 0.85
Ambient temperature: 35°C

SUGGESTED LAYOUT #2

Model No.	Luminaire	Optic Type	Quantity
CP9-M-XML-0209-MPB-NPS	CP9 Flood Light	O209 - 40°x18° Beam Angle	2
CP9-M-XML-L25-MPB-NPS	CP9 Flood Light	L25 - 50° Beam Angle	8
CP9-M-XML-L07-MPB-NPS	CP9 Flood Light	L07 - 14° Beam Angle	4



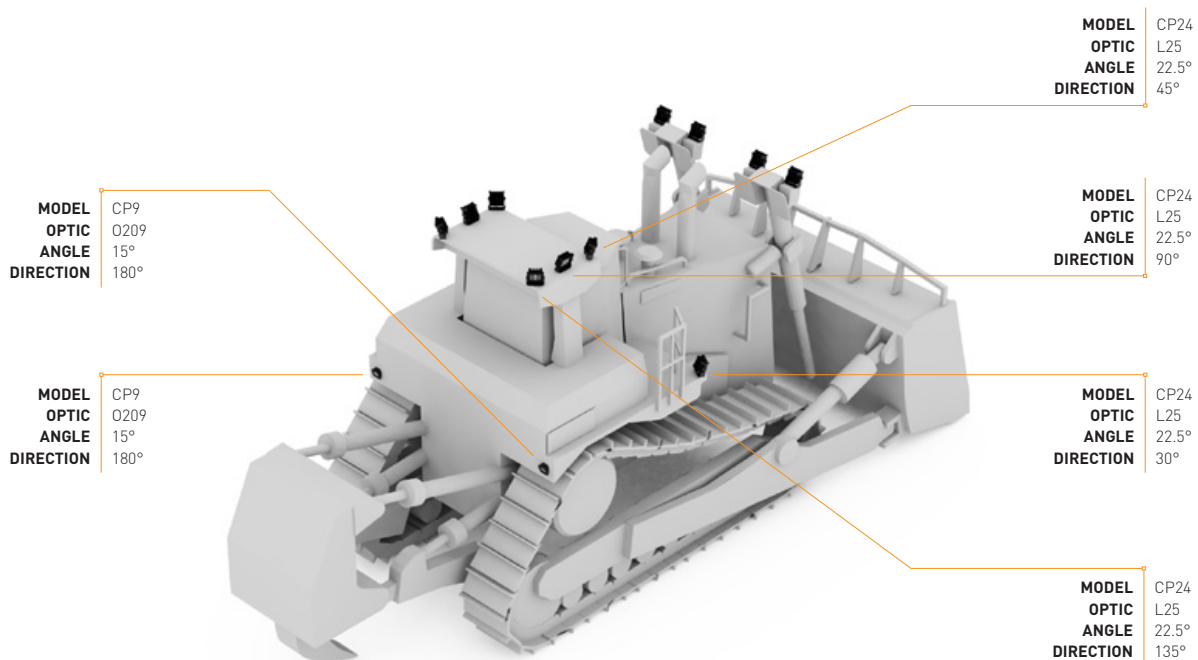
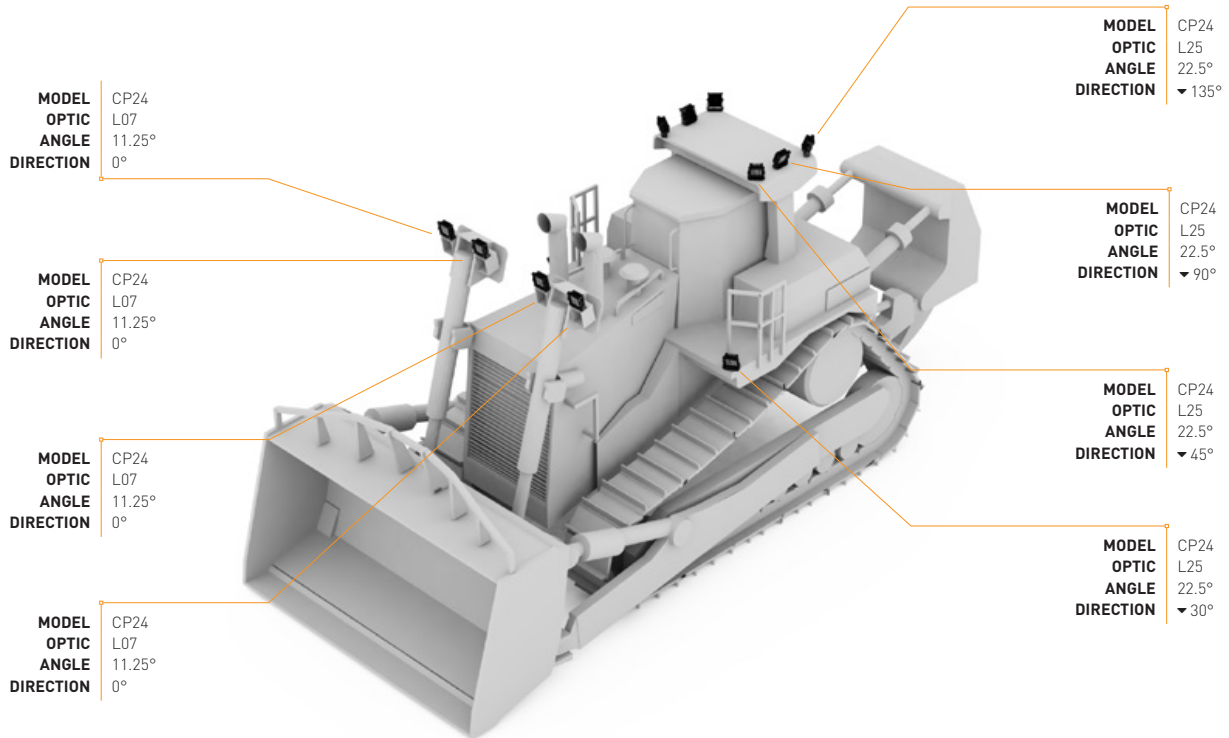
- Suggested Layout #2
- High illuminance
 - Narrow/long forward throw
 - Wide general flood around machine



Light loss/maintenance factor: 0.85
Ambient temperature: 35°C

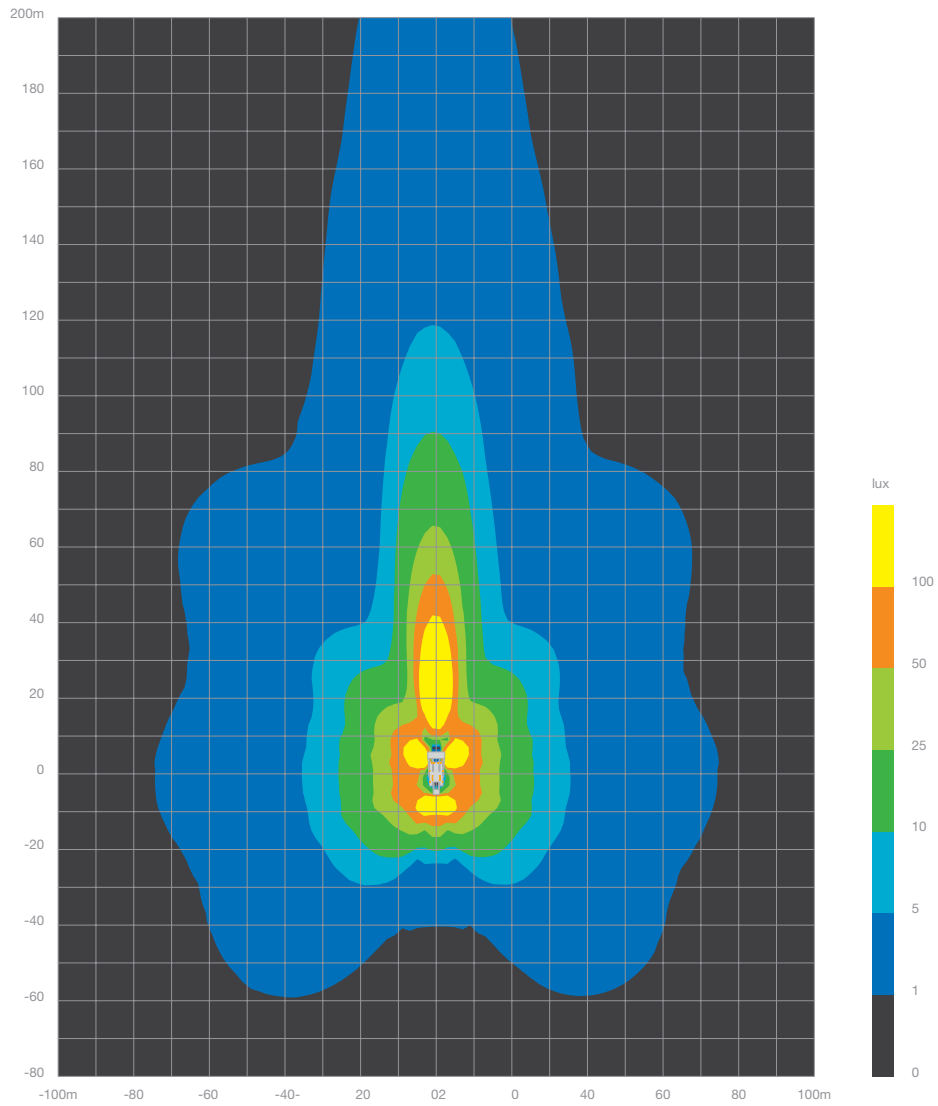
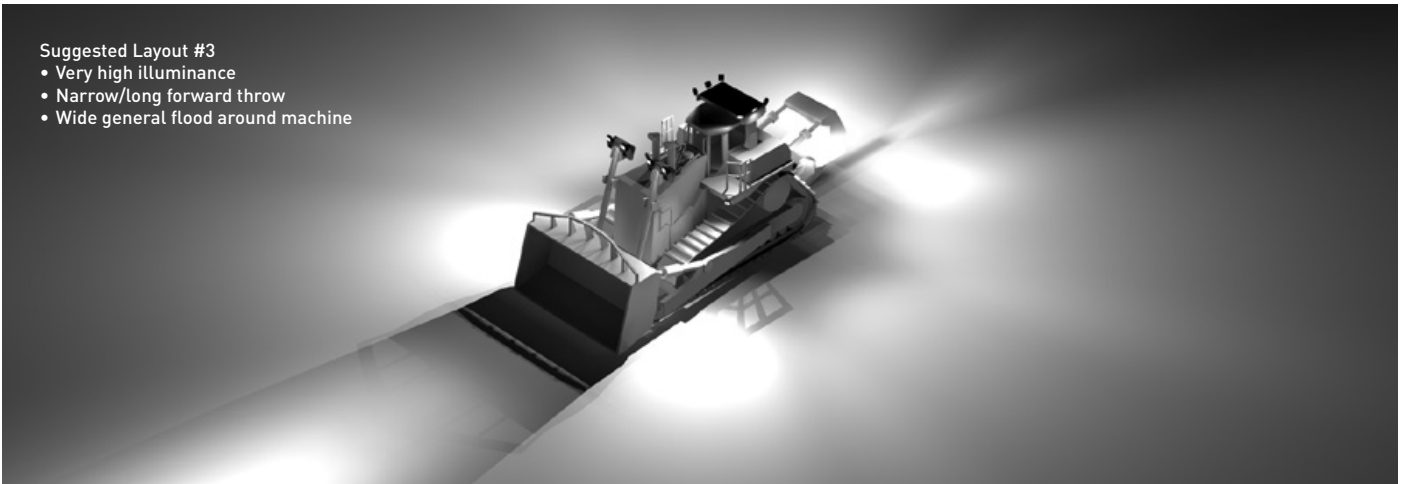
SUGGESTED LAYOUT #3

Model No.	Luminaire	Optic Type	Quantity
CP9-M-XML-0209-MPB-NPS	CP9 Flood Light	O209 - 40°x18° Beam Angle	2
CP24-M-L25-MPB-NPS	CP24 Flood Light	L25 - 50° Beam Angle	8
CP24-M-L07-MPB-NPS	CP24 Flood Light	L07 - 14° Beam Angle	4



Suggested Layout #3

- Very high illuminance
- Narrow/long forward throw
- Wide general flood around machine



Light loss/maintenance factor: 0.85
Ambient temperature: 35°C