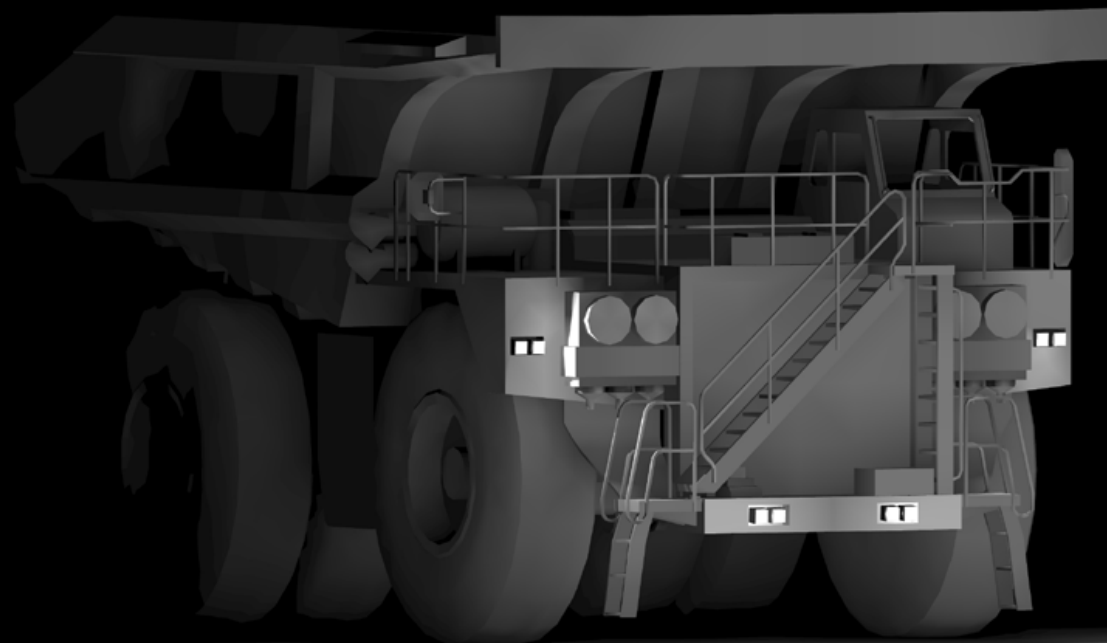


CATERPILLAR

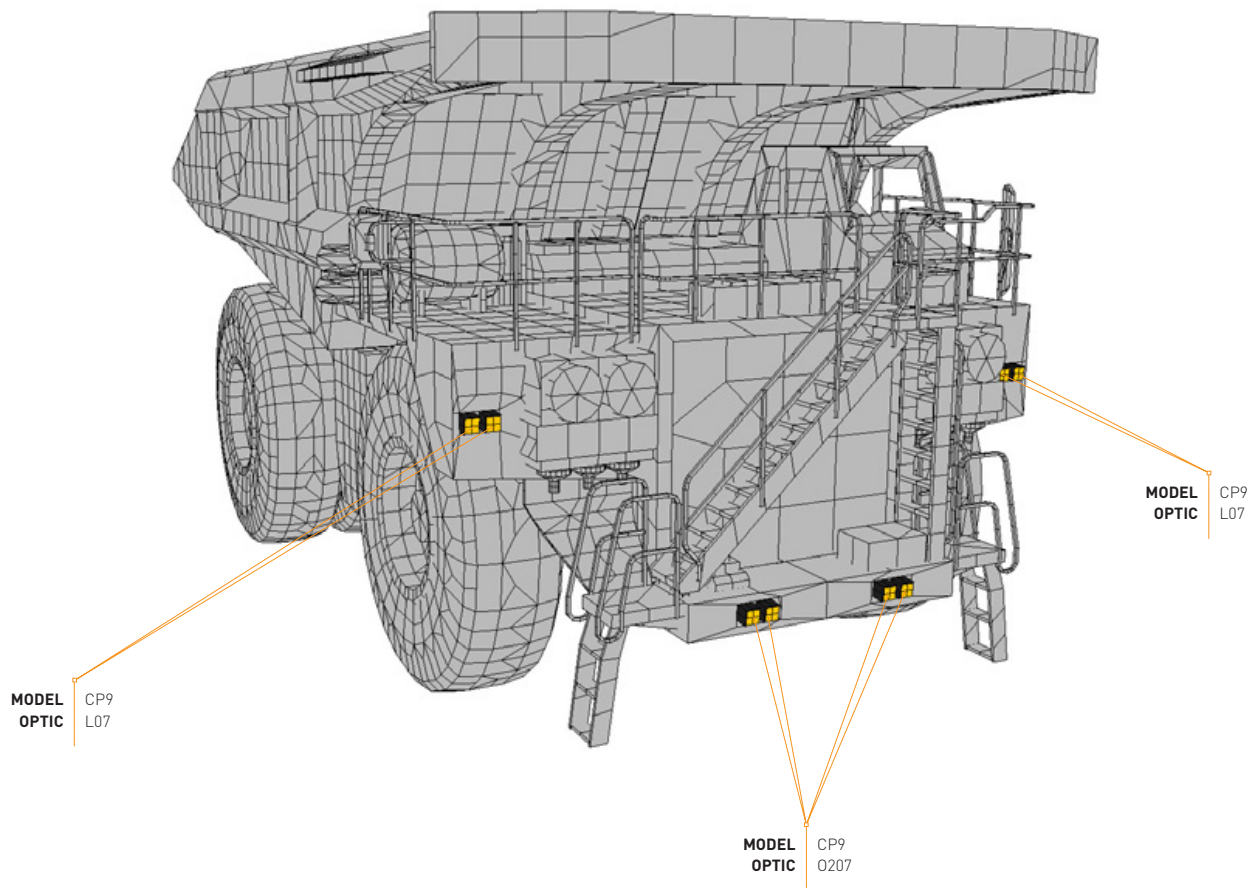
793F

Lighting Design Simulation Report





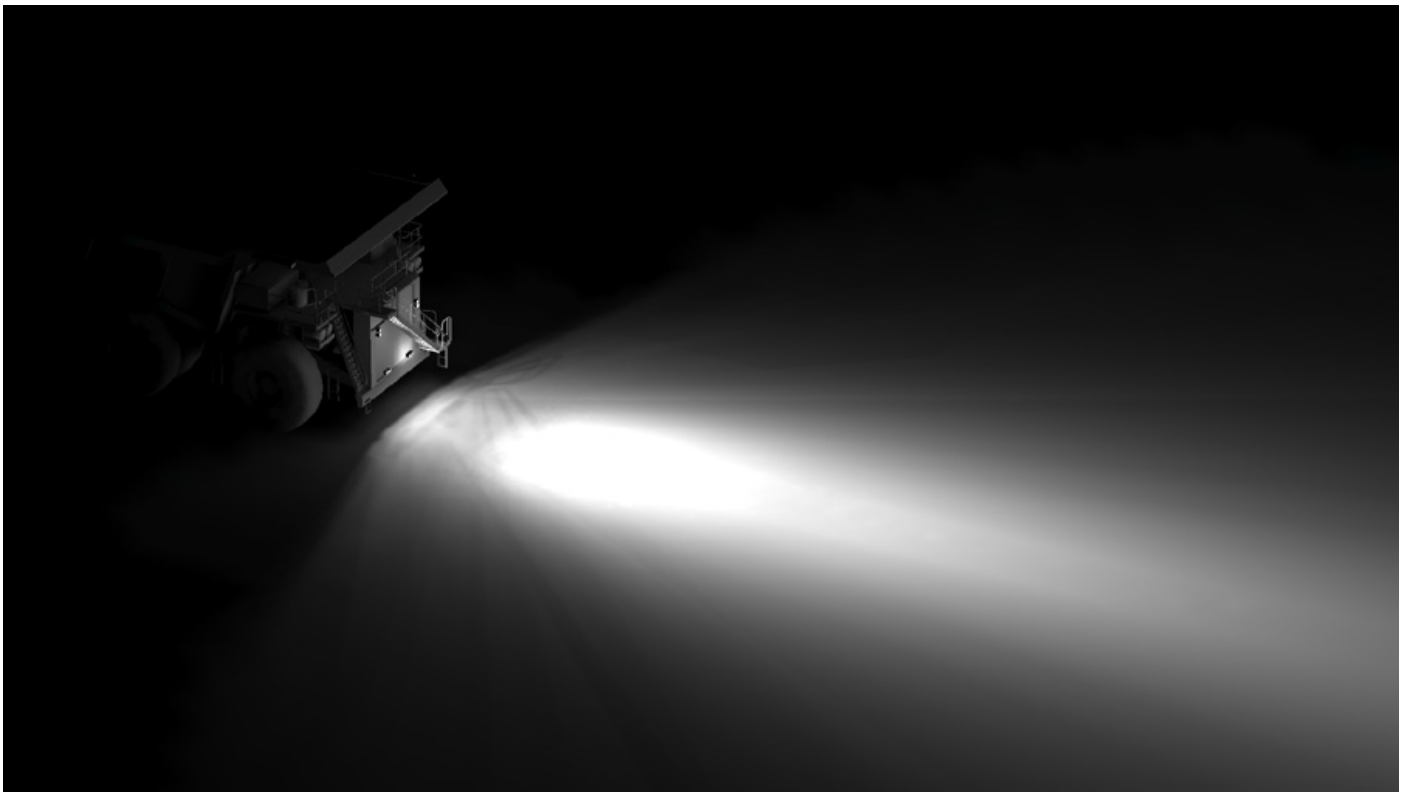
Luminaire Schedule/Layout

Symbol	Quantity	Label	LFF	Descriptions
	4	CP9-XML-L07	0.850	Coolon CP9 LED w/ L07 Optics, +/- 7 degree beam angle
	4	CP9-XML-0209	0.850	Coolon CP9 LED w/ 0209 Optics, +/-20x9 degree beam angle





Luminaire Schedule/Layout

Symbol	Quantity	Label	LFF	Descriptions
	4	CP9-XML-L07	0.850	Coolon CP9 LED w/ L07 Optics, +/- 7 degree beam angle
	4	CP9-XML-0209	0.850	Coolon CP9 LED w/ 0209 Optics, +/-20x9 degree beam angle



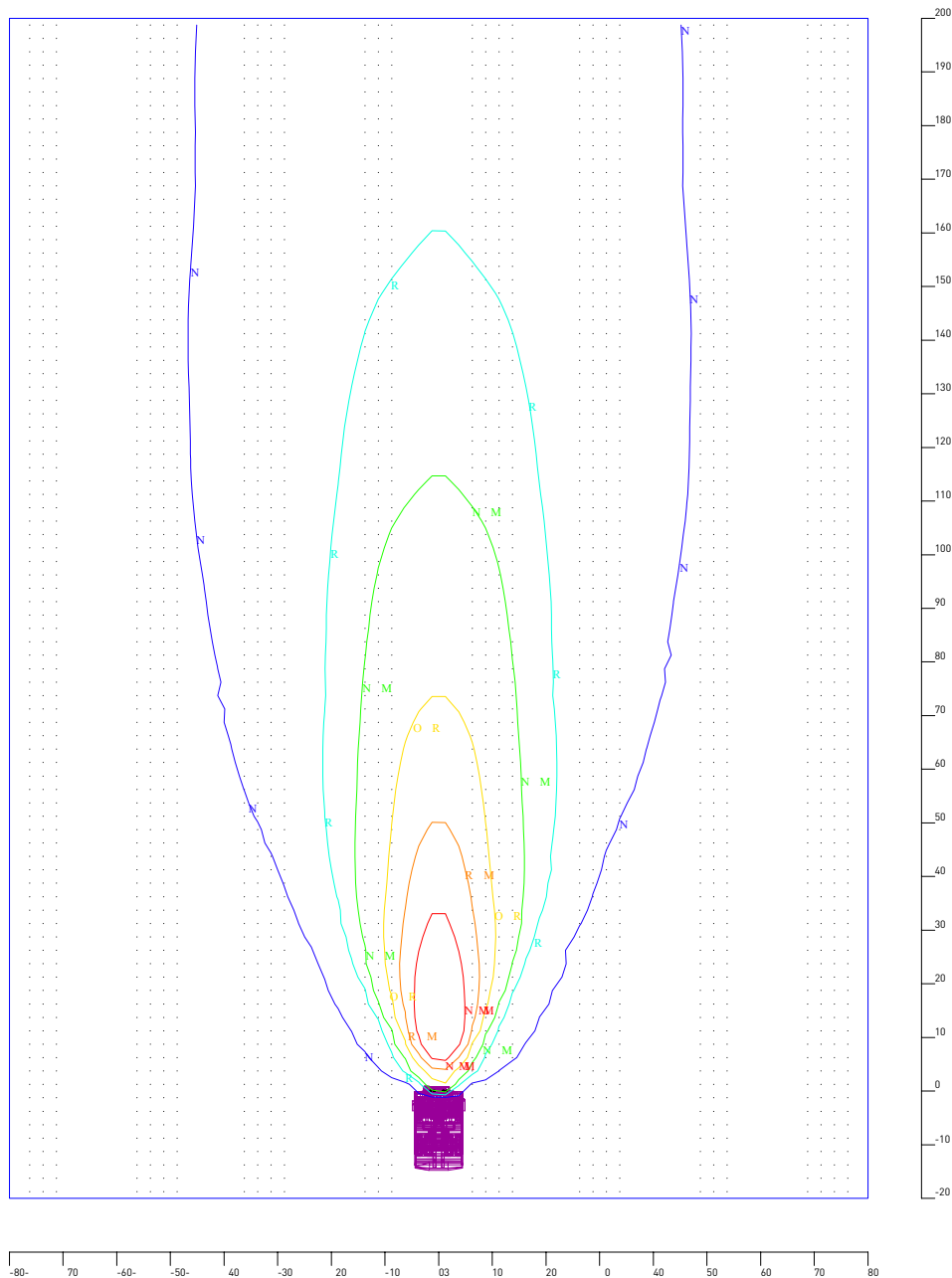
Luminaire Schedule/Layout

Symbol	Quantity	Label	LFF	Descriptions
	4	CP9-XML-L07	0.850	Coolon CP9 LED w/ L07 Optics, +/- 7 degree beam angle
	4	CP9-XML-0209	0.850	Coolon CP9 LED w/ 0209 Optics, +/-20x9 degree beam angle



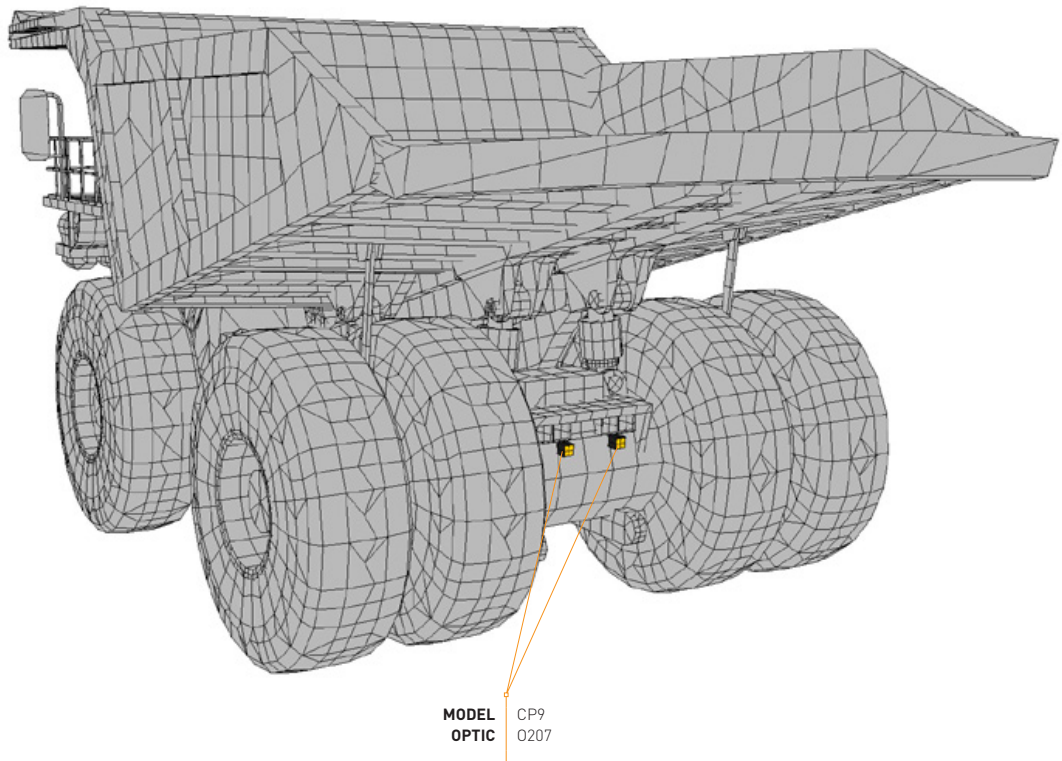
Luminaire Schedule/Layout

Symbol	Quantity	Label	LFF	Descriptions
	4	CP9-XML-L07	0.850	Coolon CP9 LED w/ L07 Optics, +/- 7 degree beam angle
	4	CP9-XML-Q209	0.850	Coolon CP9 LED w/ Q209 Optics, +/-20x9 degree beam angle



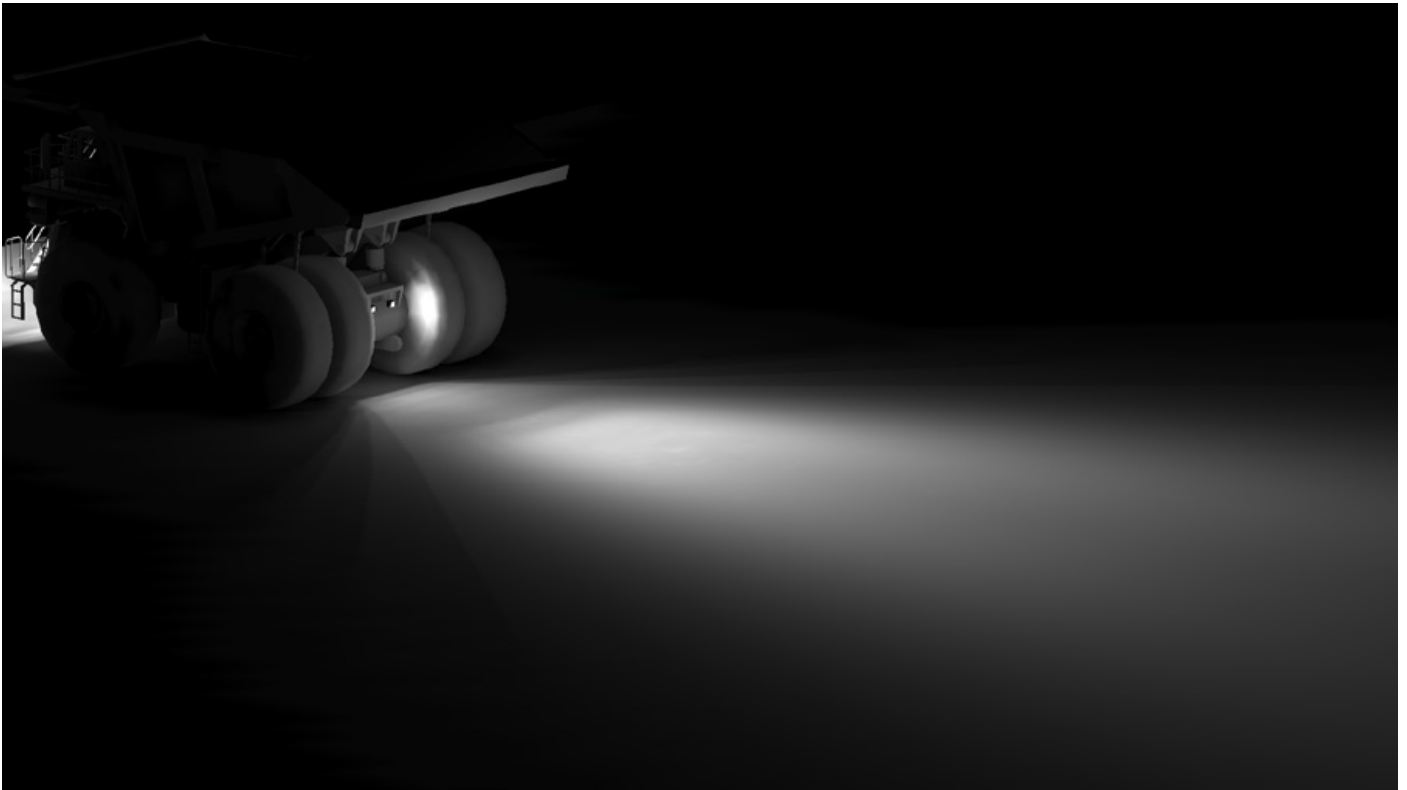
Luminaire Schedule/Layout

Symbol	Quantity	Label	LFF	Descriptions
	2	CP9-XML-0209	0.850	Coolon CP9 LED w/ 0209 Optics, +/-20x9 degree beam angle



Luminaire Schedule/Layout

Symbol	Quantity	Label	LFF	Descriptions
	2	CP9-XML-0209	0.850	Coolon CP9 LED w/ 0209 Optics, +/-20x9 degree beam angle



Luminaire Schedule/Layout

Symbol	Quantity	Label	LFF	Descriptions
	2	CP9-XML-0209	0.850	Coolon CP9 LED w/ O209 Optics, +/-20x9 degree beam angle

