

CATERPILLAR

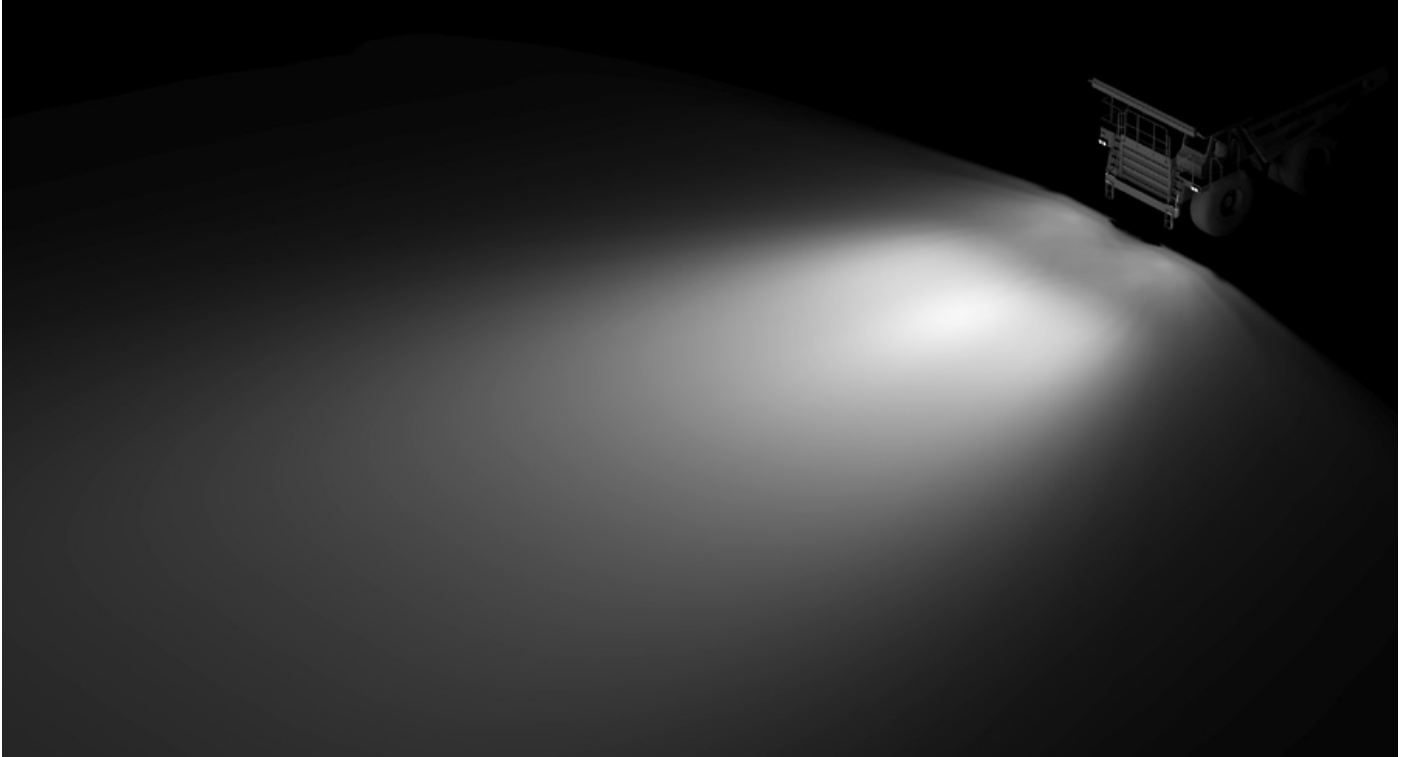
777D

Lighting Design Simulation Report



SIMULATION

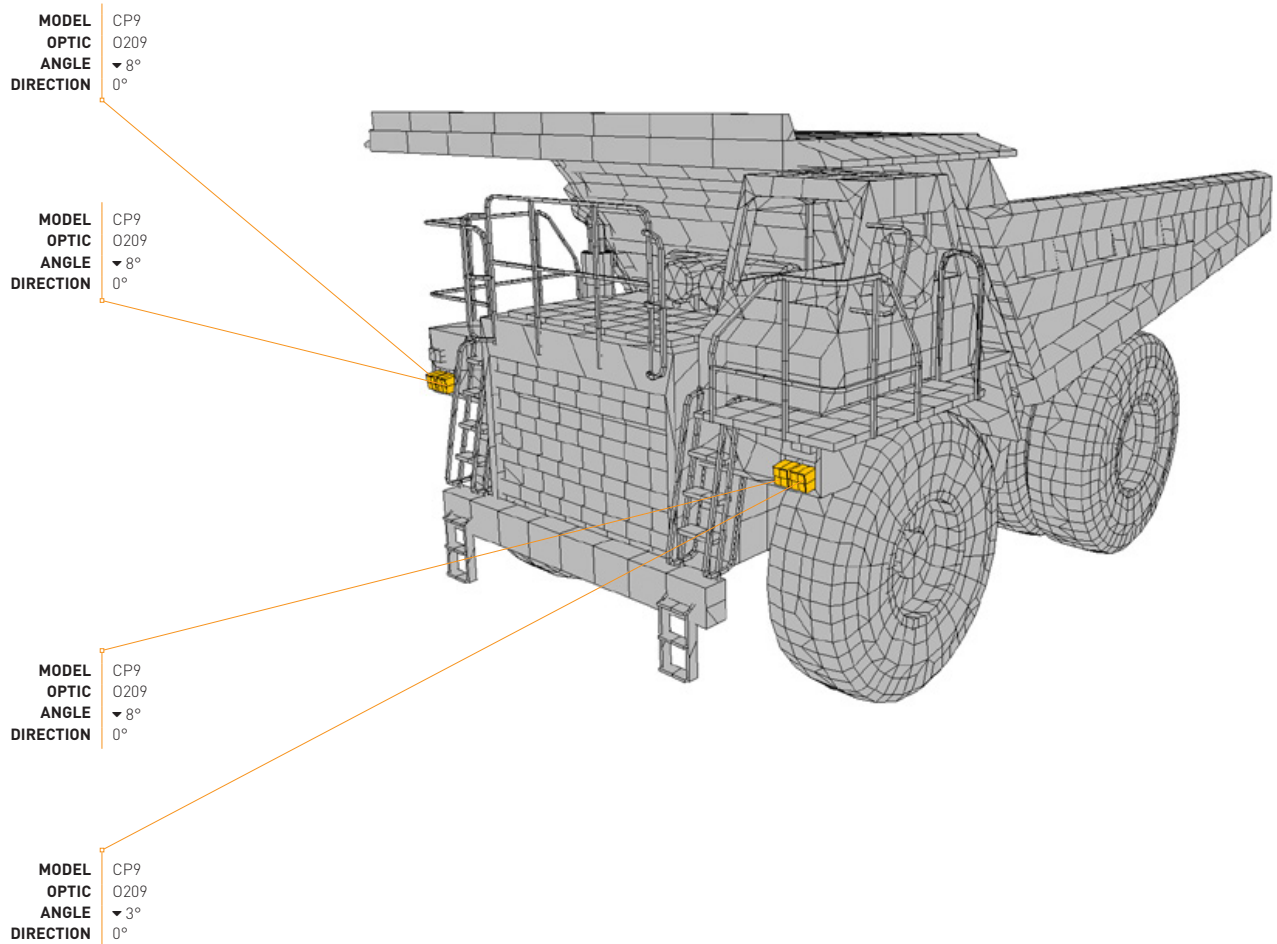
CATERPILLAR 777D
OPTION A



LUMINAIRE SCHEDULE

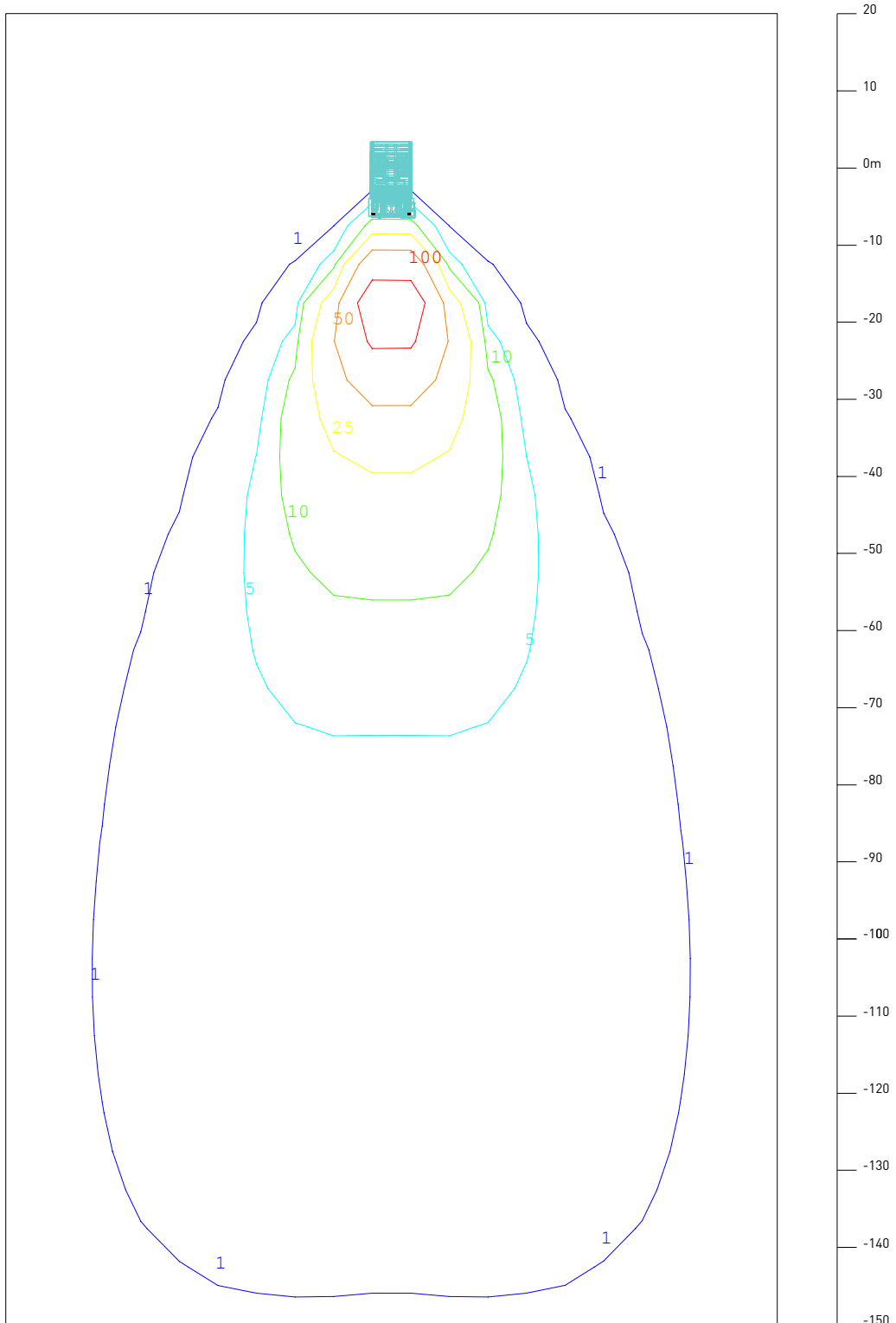
CATERPILLAR 777D OPTION A

Model No.	Luminaire	Optic Type	Quantity
CP9-L07	CP9 Flood Light	L07 - 14° Beam Angle	4



ISOLINE VIEW

CATERPILLAR 777D
OPTION A



Total LLF: 0.7

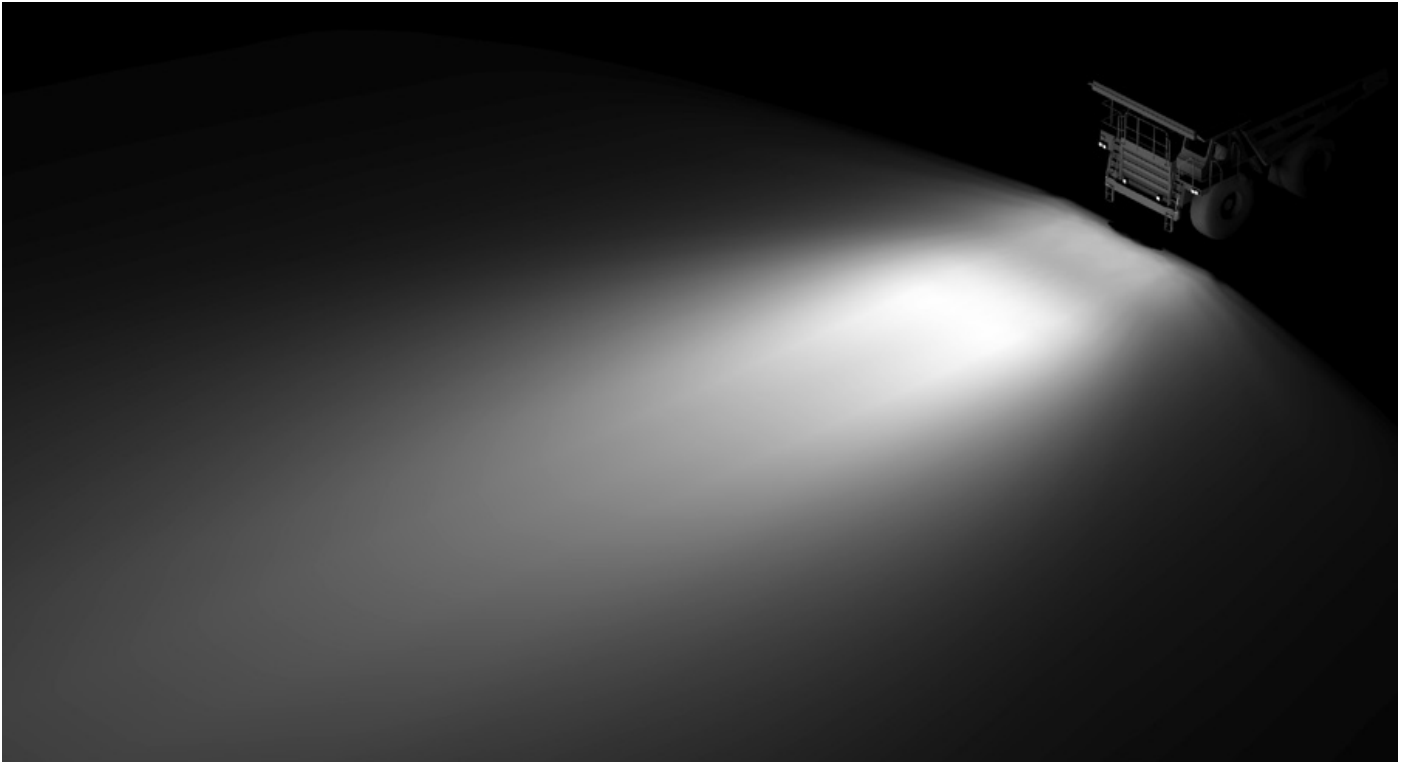
OPERATOR'S VIEW

CATERPILLAR 777D
OPTION A



SIMULATION

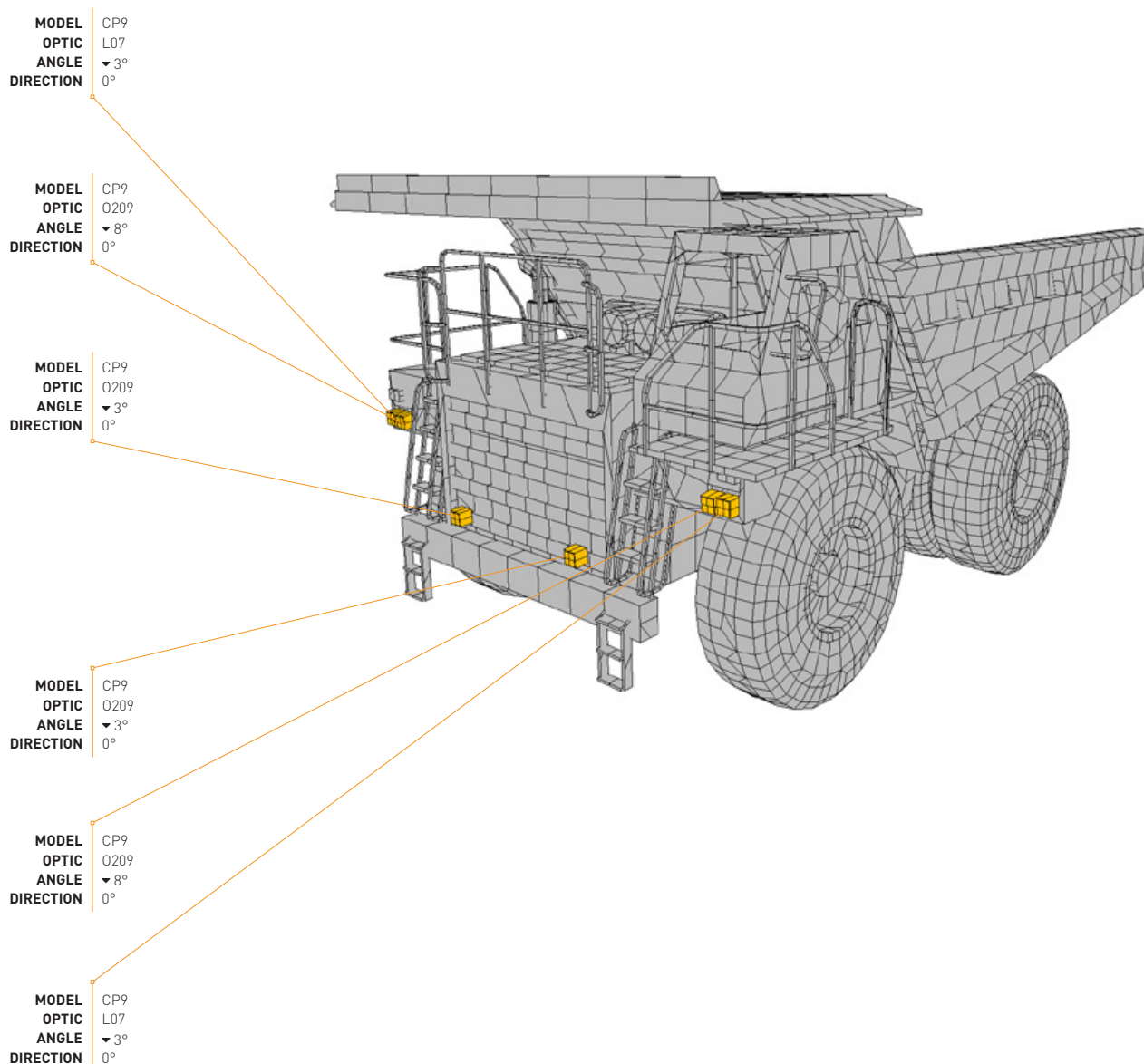
CATERPILLAR 777D
OPTION B



LUMINAIRE SCHEDULE

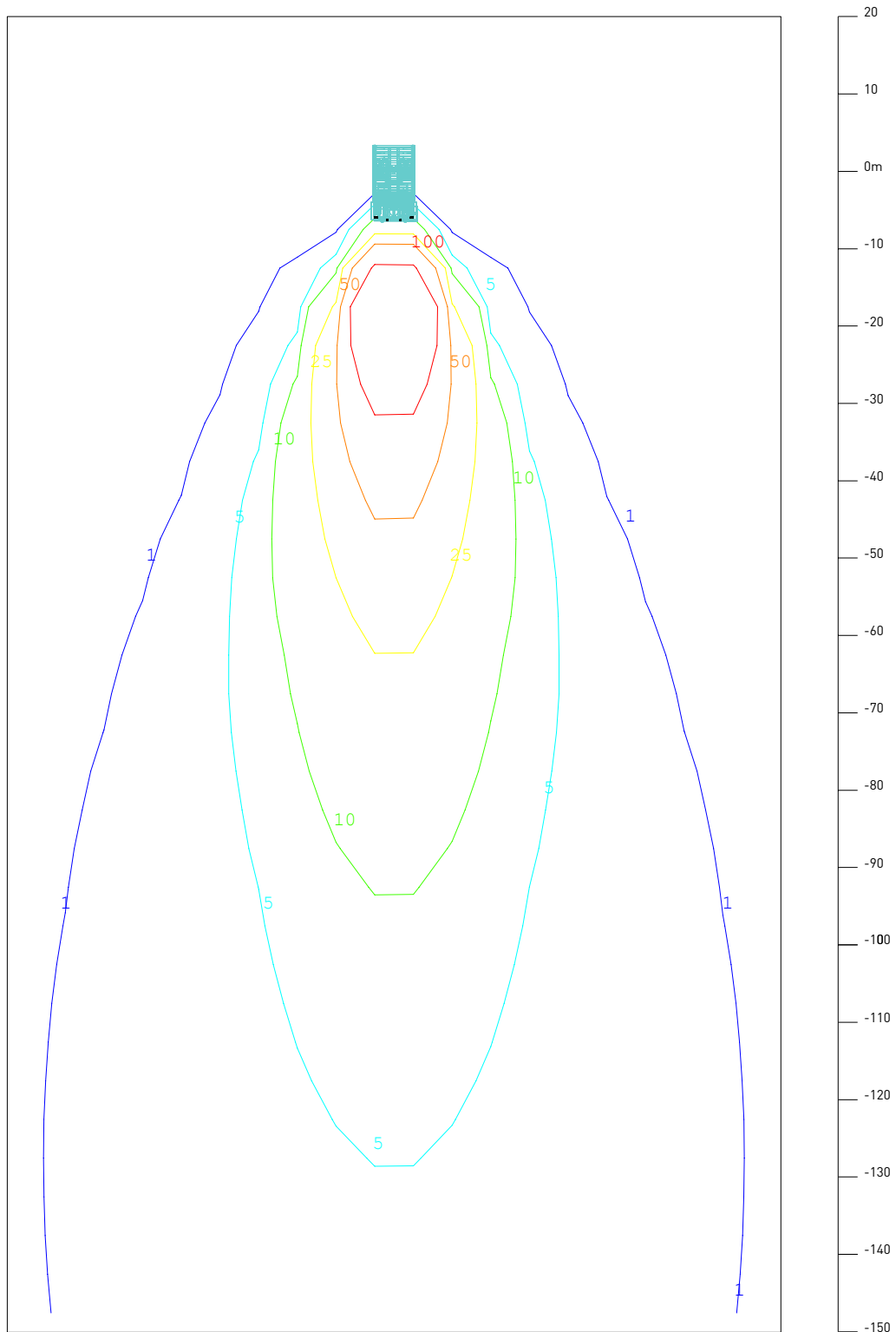
CATERPILLAR 777D OPTION B

Model No.	Luminaire	Optic Type	Quantity
CP9-0209	CP9 Flood Light	O209 - 40° x 18° Beam Angle	4
CP9-L07	CP9 Flood Light	L07 - 14° Beam Angle	2



ISOLINE VIEW

CATERPILLAR 777D
OPTION B



Total LLF: 0.7

OPERATOR'S VIEW

CATERPILLAR 777D
OPTION B

