**EMERGENCY
TUNNEL LED**

Installation Instructions



Wherever possible, we aim to use recyclable packaging product. Please help us to care for the environment by disposing of all recyclable materials appropriately.

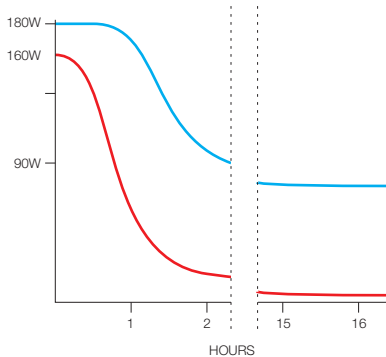
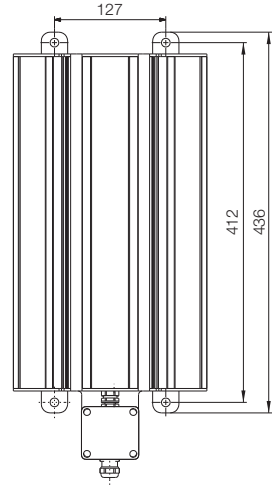
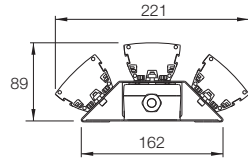
EMERGENCY TUNNEL LED Technical Specifications

Luminaire

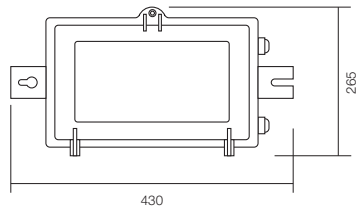
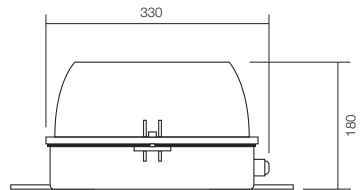
Luminous Flux	2500 - 3600 lm
Power Consumption	
Rapid charging w/ Light ON	<180W
Rapid charging w/ Light OFF	<160W
Battery fully charged	<80W
Power Supply	Meanwell 24VDC 240W
Operating Voltage Range	90-264VAC, 127-373VDC
Frequency Range	47-63Hz
Leakage Current	<0.75mA/240VAC
Charge Time	
2 hours - 70%	
20 hours - 90%	
Battery Type	Lead Acid Gel
Emergency Discharge Time	Over 2 hours
IP Rating	IP66
Power Factor	>0.88
Body	Stainless Steel
Weight	
5.7kg (Luminaire)	
13kg (Emergency Pack)	

Light Module

LED Efficacy	Up to 90lm/w @ 25°C
Max. Operating Voltage	26V
Min. Operating Voltage	23V
Body	Aluminium Alloy* (Marine Grade Black Anodised)

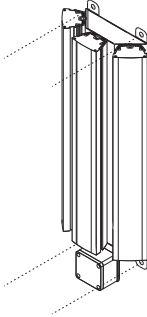


— Power Consumption during initial charge w/ luminaire ON
 — Power Consumption during initial charge w/ luminaire OFF

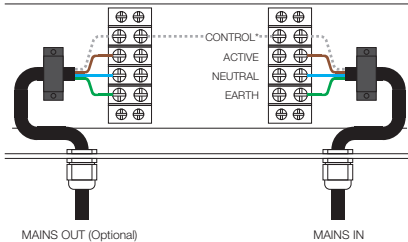
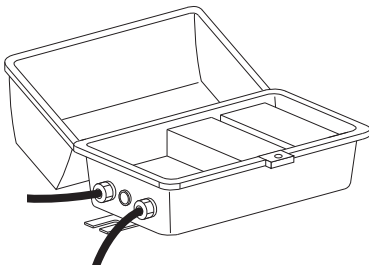


Installation Instructions

- Step 1** Secure the Tunnel LED fitting to the wall using the 4 mounting holes.

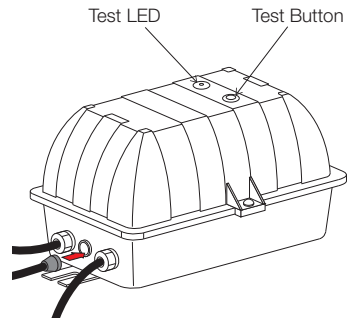


- Step 2** Open up Emergency Battery unit and wire according to diagram below.



* Optional provision for mains loop

- Step 3** Close Emergency Battery unit and secure. Plug Luminaire connector into the Emergency Battery unit.



Testing Connection

When unit is first connected, the emergency battery will commence charging and the luminaire will remain off until charged.

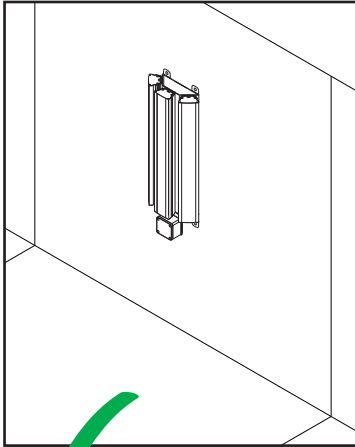
To test the connection, press the Test Button. When pressed, the Test LED and the luminaire will illuminate.

If luminaire does not illuminate when button is pressed, please check the wiring.

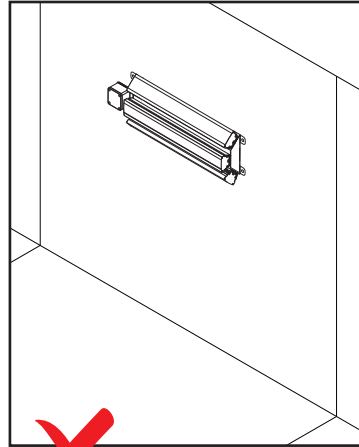
If Test LED is illuminated while Test button is not pressed, please check the wiring.

Mounting Configuration

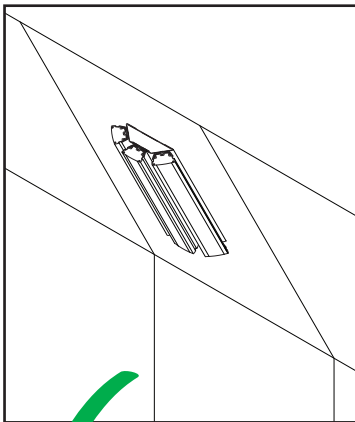
For optimal light distribution, the Tunnel LED should be mounted vertically.



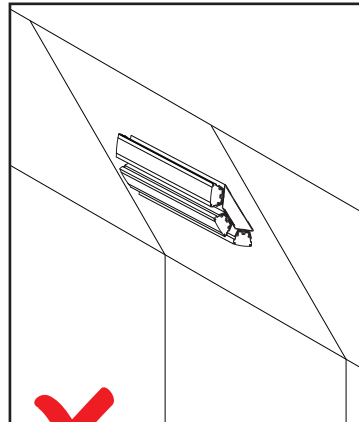
Correct mounting position



Incorrect mounting position



Correct mounting position



Incorrect mounting position