



## EMERGENCY STATIC RETROLED



### APPLICATIONS

- Conveyor lighting
- General mining lighting
- Foot path and access ways
- Security lighting
- Road lighting

This version of the Static RETROLED features an emergency power pack which allows the unit to continue to run over 2 hours in the event of a power outage.

Coolon's Emergency Static RETROLED luminaire is suitable for use in mining and other industrial environment where reliability is required under any conditions including heavy vibrations.

Offering many benefits over conventional gas discharge lighting technologies Static RETROLED luminaire is an ideal replacement for commonly found area lighting luminaires along many industrial walkways, tunnels and passageways.

- 2 years warranty on batteries
- 3 years warranty on luminaire and control gear
- Onboard test switch and indicator
- Intelligent standby operation indicator
- Revolutionary charging system

### TECHNICAL SPECIFICATIONS

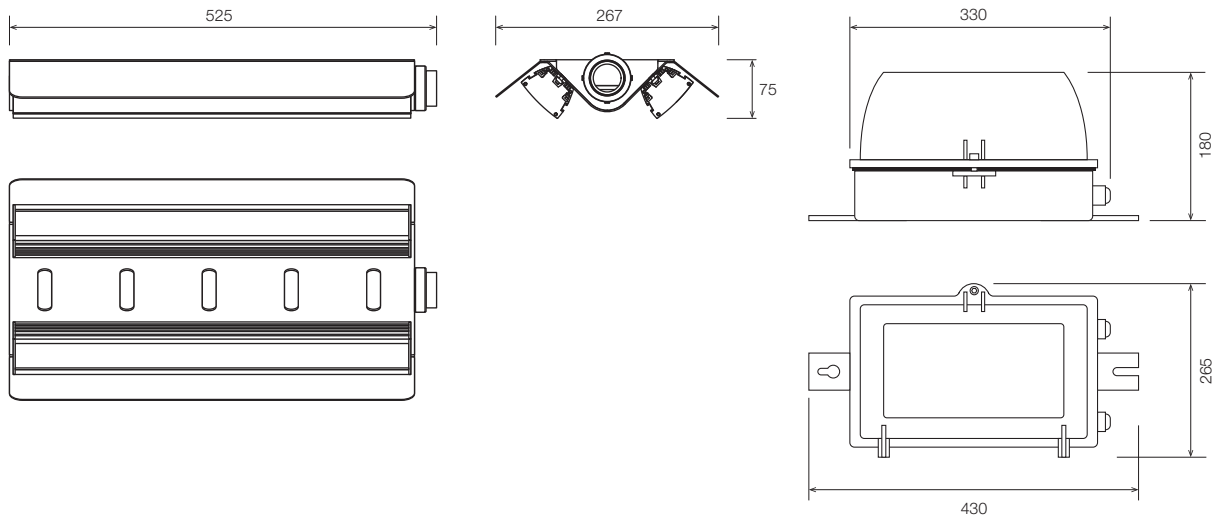
#### Luminaire

Luminous Flux	2500 - 3600 lm
Luminaire Power Consumption Normal Operation	119W
Emergency Operation	48W
Power Supply Consumption Peak while rapid charging	180W
Standby at full charge	5W
Operating Voltage Range	90-264VAC, 127-373VDC
Frequency Range	47-63Hz
Leakage Current	<0.75mA/240VAC
Charge Time	2 hours - 70% 20 hours - 90%
Battery Type	Lead Acid Gel
Emergency Discharge Time	Over 2 hours
IP Rating	IP66
Power Factor	>0.88
Body	Stainless Steel
Weight	5.2kg (Luminaire) 13kg (Emergency Pack)

#### Light Module

Max. Operating Voltage	26V
Min. Operating Voltage	23V
Body	Aluminium Alloy* (Marine Grade Black Anodised)

## DIMENSIONS



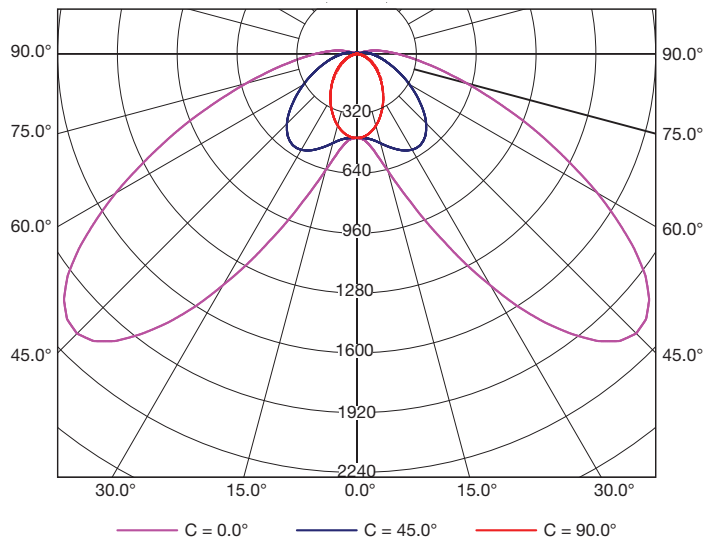
EMP-SR24-W-LN2M-D

### LUMINOUS FLUX TABLE

Zone	Lumens(lm)	Lamp%	Luminaire%
0°-30°	494.7	15.8	15.8
0°-40°	992.3	31.6	31.6
0°-60°	2205	70.3	70.3
0°-90°	3022	96.4	96.4
40°-90°	2030	64.7	64.7
60°-90°	816.9	26.1	26.1
80°-90°	142.2	4.5	4.5
90°-100°	72.70	2.3	2.3
90°-180°	113.8	3.6	3.6
0°-180°	3136	100.0	100.0

### LUMINOUS POLAR DISTRIBUTION

Luminous intensity values are in cd



## ORDERING INFORMATION

ORDERING EXAMPLE

**EMP - SR24 - W - LN2M - D<sup>1</sup>**

EMERGENCY PACK    PRODUCT CODE    TYPE    OPTICS    OPTIONS

### TYPE

W White (5000-7000K Daylight)

### OPTICS

LN2M Internal Lens Medium Beam Angle

### OPTIONS

D Diffused Cover  
C Clear Cover

<sup>1</sup> If not specified, diffused cover will be supplied