

**CP24** **Cameroo**  
INDUSTRIAL LED LUMINAIRE

## Installation Instructions



Wherever possible, we aim to use recyclable packaging product. Please help us to care for the environment by disposing of all recyclable materials appropriately.

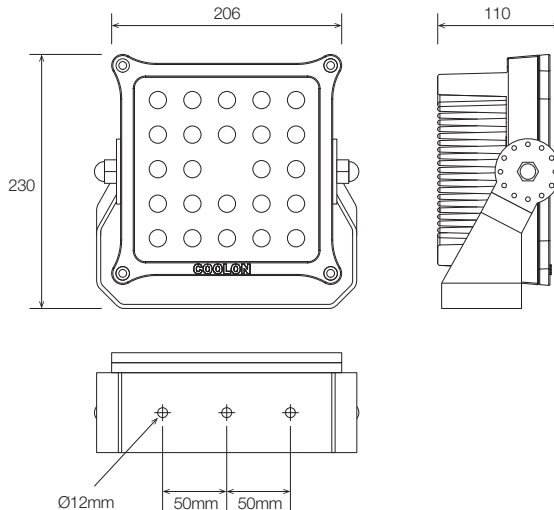
## CP24 Technical Specifications

### Luminaire

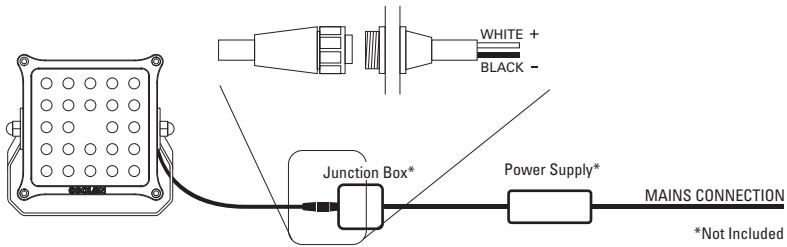
Luminous Flux	4327 - 5494 lm
Power Consumption	70.0W Typical, 72.2W Start
Operating Voltage Range	19VDC - 35VDC (M) 12VDC - 35VDC (A)
Operating Temp. Range	-40°C +55°C
IP Rating	IP66
Body	Aluminium Alloy (Anodized and E-Coated)
Mounting Bracket	Stainless Steel 316
Angle adjustment	11.25°steps
Luminaire Weight	3.5kg
STB Bracket Weight	1.0kg
MPB Bracket Weight	1.8kg

### Power Supply (Not Included)

Full Part No.	PWR-MWCLG-100-24
Operating Voltage Range	90-295VAC, 127-417VDC
Frequency Range	47-63Hz
AC Current (Typ.)	0.55A/230VAC
Leakage Current	<0.75mA/240VAC
Power Factor	>0.95VAC

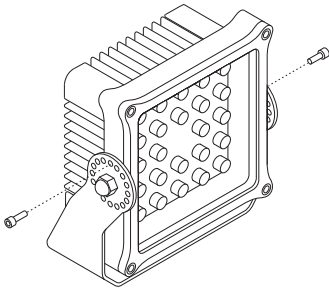


## CP24 Wiring Diagram

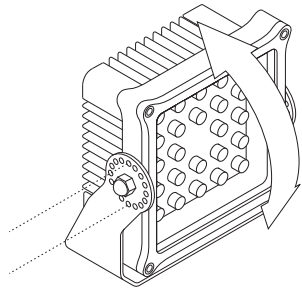


## Mounting Bracket Installation Instructions

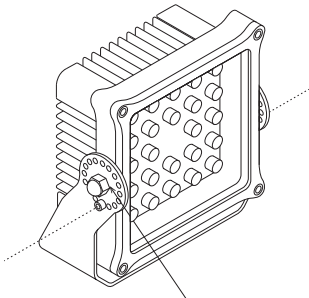
**Step 1** To adjust the mounting angle, unscrew bolt and loosen dome nut.



**Step 2** Adjust the angle of the light fitting, and line up bracket holes to either the top or bottom mounting holes.



**Step 3** Use Loctite® 222™ retaining compound (not included) to secure the dome nut. Screw in and tighten bolts on both sides.



Use Loctite® 222™ retaining compound (not included) to secure the dome nut.



**phone:** +613 8681 3633    **fax:** +613 9703 2408  
**email:** [support@coolon.com.au](mailto:support@coolon.com.au)    **web:** [www.coolon.com.au](http://www.coolon.com.au)