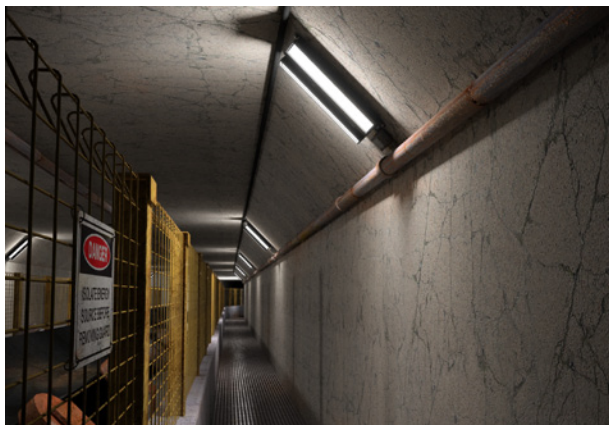
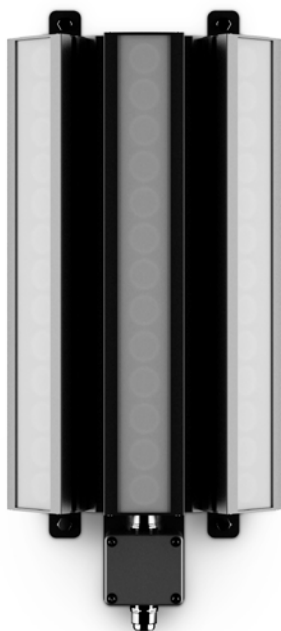


TUNNEL LED

INDUSTRIAL LED LUMINAIRE



Applications

- Mine Tunnels
- Industrial Walkways

Unsurpassed reliability meets unrivalled engineering and design excellence with Coolon's TunnelLED Luminaire.

Specifically designed to withstand the most heavily vibrating environments, and most extreme industrial conditions, the TunnelLED Luminaire boasts optimum failsafe redundancy and delivers a level of CRI emitted light high enough to emulate natural daylight conditions in a stable and flicker free solution, free of dangerous stroboscopic effects.

Designed as lighting luminaries for industrial walkways, tunnels and passageways, the TunnelLED Luminaire is the ideal replacement for conventional gas discharge lighting technologies, and leaves conventional lighting solutions far behind.

Coolon's range of industrial LED lighting products come with 3 Years Manufacturer's Warranty.

Technical Specifications

Luminaire

Luminous Flux	2500 - 3600 lm
Power Consumption (including power supply)	80W Typical 100W Max
Power Supply (Built In)	Meanwell 24VDC 150W
Operating Voltage Range	90-295VAC, 127-417VDC
Frequency Range	47-63Hz
Leakage Current	<0.75mA/240VAC
Inrush Current	Cold Start 40A/230VAC
Current Consumption	0.35A/230VAC
IP Rating	IP66
Power Factor	>0.95
Body	Zinc Plated & E-Coated Mild Steel
Weight	6.1kg

Light Module

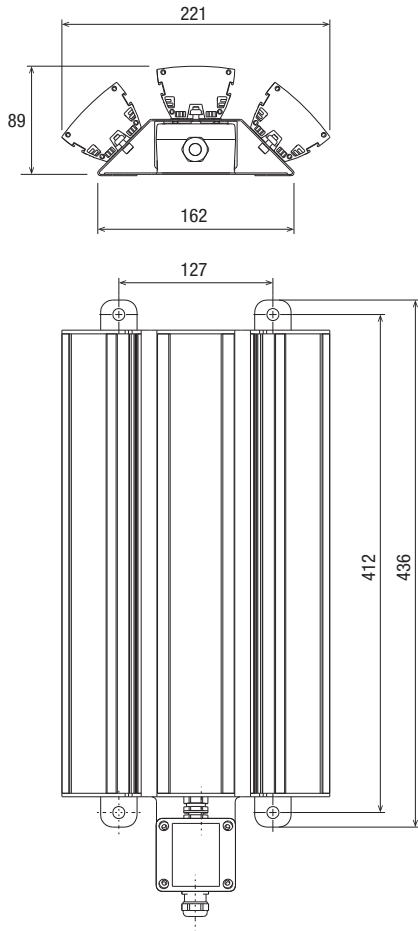
LED Efficacy	Up to 90lm/w @ 25°C
Max. Operating Voltage	26V
Min. Operating Voltage	23V
Body	Aluminium Alloy* (Marine Grade Black Anodised)

*Composition available on request

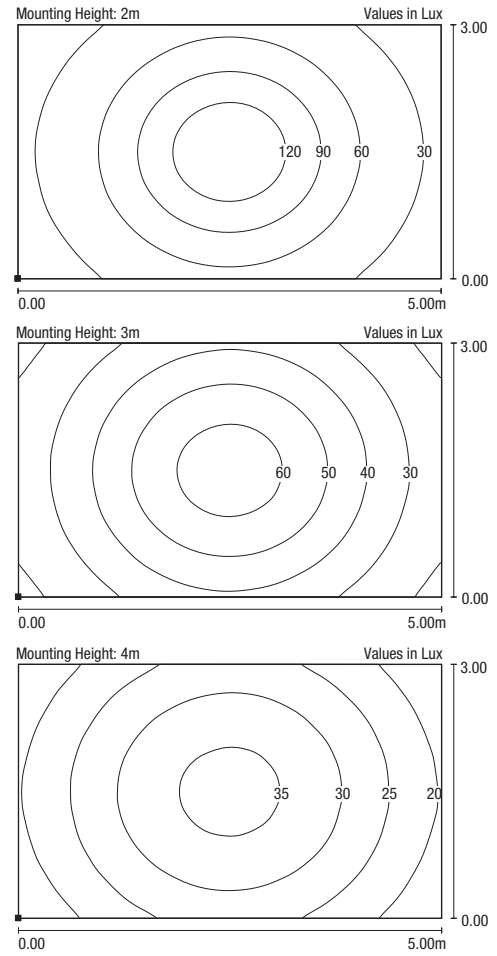
Package Dimensions	568 x 225 x 160mm
Package Weight	6.7kg



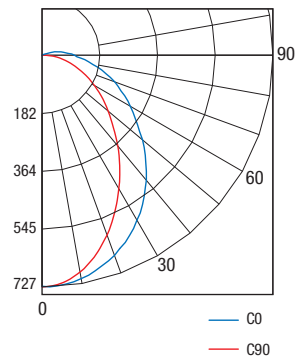
Dimensions



Illuminance at Distance



Polar Distribution



Zonal Lumen Summary

Zone Lumens	Value
0-10	68.61
10-20	196.03
20-30	295.77
30-40	355
40-50	369.37
50-60	347.72
60-70	297.45
70-80	226.57
80-90	150.46
90-100	95.85
100-110	56.13
110-120	24.55
120-130	4.06
130-140	0

Results measured by independant photometric lab

Ordering Information

ORDERING EXAMPLE

TL36 - L30 - D¹ - ST¹

PRODUCT CODE OPTICS OPTIONS TYPE

OPTICS

L30 Internal Lens 30° Beam Angle

OPTIONS

D Diffused Cover
C Clear Cover

TYPE

ST Standard Configuration, Mains Power via Junction Box
LV Low Voltage Configuration, 24VDC

¹ If not specified, diffused cover and standard configuration will be supplied