



## Applications

- Conveyor lighting
- General mining lighting
- Foot path and access ways
- Security lighting
- Road lighting

Designed with unsurpassed reliability in mind, Coolon's RETROLED luminaire is suitable for use in mining and other industrial environment where reliability is required under any conditions including heavy vibrations.

Offering many benefits over conventional gas discharge lighting technologies RETROLED luminaire is an ideal replacement for commonly found area lighting luminaries along many industrial walkways, tunnels and passageways.

Unique feature of user adjustable beam angle allows the luminaire to be fine tuned for the best possible light distribution to suit a particular application.

Convenient mount allows for protected cable entry into the luminaire. IP rated junction box included into the fixture presents safe and convenient connection point for mains connection.

Coolon's range of industrial LED lighting products come with 3 Years Manufacturer's Warranty.

## Technical Specifications

### Luminaire

Luminous Flux	3500 - 5500 lm
Power Consumption (including power supply)	80W Max
Power Supply (Built In)	Mean Well 24VDC 100W
Operating Voltage Range	90-295VAC, 127-417VDC
Frequency Range	47-63Hz
Leakage Current	<0.75mA/240VAC
Inrush Current	Cold Start 40A/230VAC
Current Consumption	0.45A/230VAC
IP Rating	IP66
Power Factor	>0.95
Body	Steel (Zinc Plated and E-Coated)
Weight	6.5kg

### Light Module

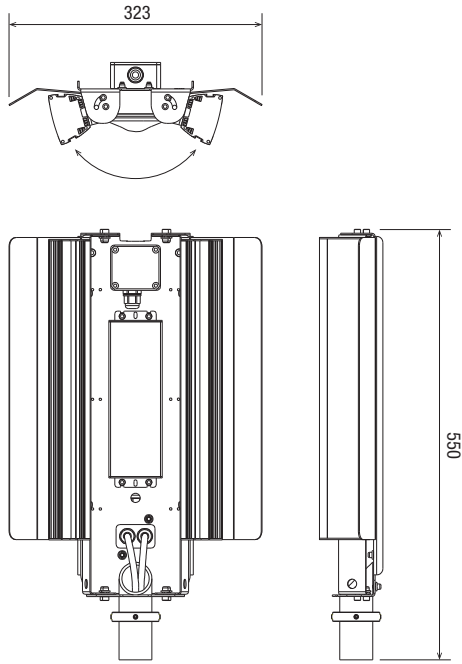
LED Efficacy	Up to 90lm/w @ 25°C
Max. Operating Voltage	26V
Min. Operating Voltage	23V
Body	Aluminium Alloy* (Marine Grade Black Anodised)

\*Composition available on request

Package Dimensions	560 x 230 x 170mm
Package Weight	7.2kg

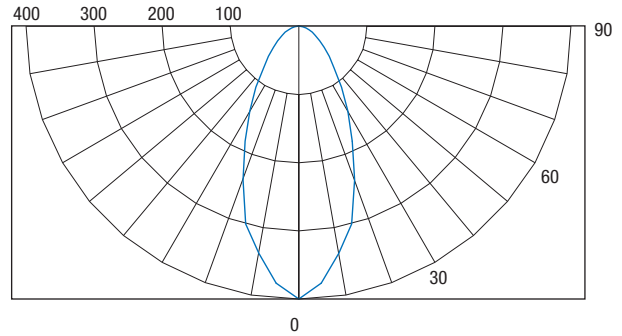


## Dimensions

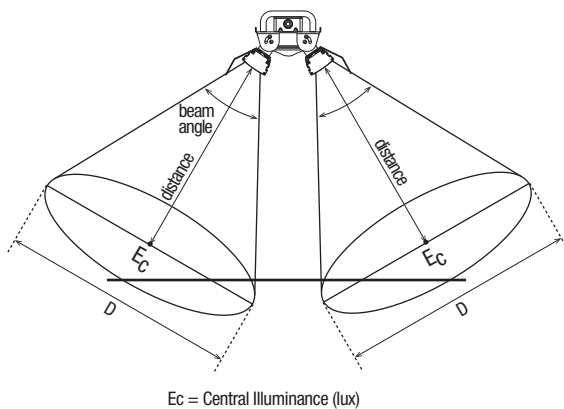


## Polar Distribution

Illustrates Polar Distribution of only one Light Module



## Illuminance at Distance



	Ec at Centre (Lux)	D-Effectuated Diameter (m)
1.5m	373	5
2.0m	220	6
2.5m	140	8
3.0m	100	10
3.5m	74	12
4.0m	60	14

Ambient Temp. (°C):	25
Light Meter:	PSI MobiLUX
Error Margin:	10%

Note: This data is listed for illustration only. It should not be used for lighting design purposes.

Light test was conducted in the dark room, under an ambient temperature of 25°C, with NATA calibrated light meter.

## Ordering Information

ORDERING EXAMPLE

**ML24 - L30 - D<sup>1</sup> - ST<sup>1</sup>**

PRODUCT CODE    OPTICS    OPTIONS    TYPE

### OPTICS

L30 Internal Lens 30° Beam Angle

### OPTIONS

D Diffused Cover  
C Clear Cover

### TYPE

ST Standard Configuration, Mains Power via Junction Box  
LV Low Voltage Configuration, 24VDC

<sup>1</sup> If not specified, diffused cover and standard configuration will be supplied