



Nichia Top 24 LED Strip

The Nichia Top 24 LED Strip utilises the most efficient LEDs available today and is available in a broad range of colour temperatures.

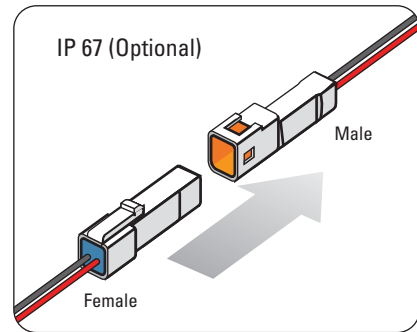
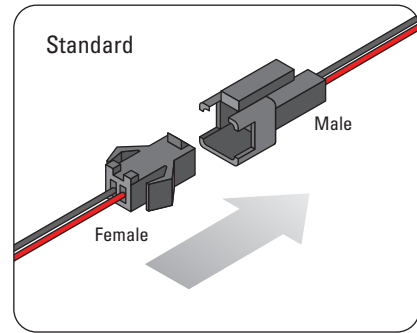
Each LED Strip segment contains 24 LEDs and is perfect for architectural lighting applications. The density of LEDs along the surface of the Nichia Top LED Strip ensures even illumination along the length of the strip, giving a uniquely uniform glow.

Technical Specifications

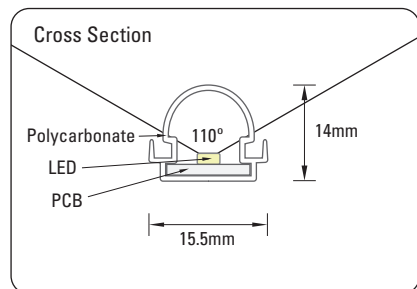
Product Code	STR-NI24WH-XX-L
Product Name	Nichia Top 24
Description	White
Segment Length	300mm
Width	10mm
LED Pitch	12.5mm
LEDs per Segment	24
LEDs per Group	6
Groups per Segment	4
Group Length	~75mm
Operating Voltage	24VDC
LED Maker	Nichia
LED Type	NSSW064/NESW064A/NESL064A
Luminous Intensity	~1400mcd/per LED
Typical Forward Current	$I_F = 25\text{mA}$
MAX Forward Current	$I_{\text{max}} = 30\text{mA}$
Typical Power Consumption	2.6W per 300mm segment
Typical Current	108mA per segment
Max Cont. Connection Length	6m standard, more with modifications
Dimmable	Yes
Effective Beam Angle 2θ	110°
External Heatsink Required	No
LOCK TM available	Yes
Ambient Operating Temperature	Ta -40 to +50
Thermal Derating	Yes
Avg Lumen Maint. @ Ta 25°C	70% @ 50,000 Hrs
@ Ta 85°C	70% @ 10,000 Hrs
IP Rating	54 (standard), up to 68 (modified)

XX Code	LED Type	CCT	Luminous Efficacy	Luminous Flux Per Segment
C0	C0W	7000K	68 lm/w	~120 lm
D1	D1U	4500K	56 lm/w	~70 lm
F3	F3U	3500K	56 lm/w	~70 lm
F6	F6U	2500K	56 lm/w	~70 lm

Connector Types



Extrusion for STR-NI24



We are constantly working on improving our products therefore specifications may change in the future. Please contact our marketing department for the latest specifications.

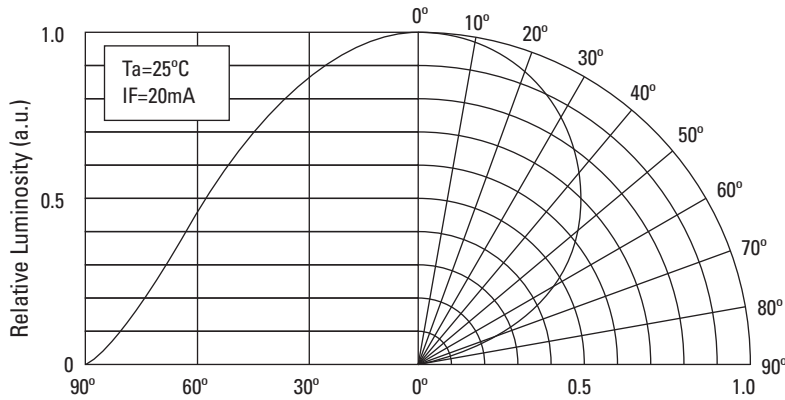
Illuminance at Distance

Product Code:	STR-NI24-D1
Product Description:	Nichia 24 LED strip (600mm, D1/~4500K)
Beam Angle (full):	110°
Ambient Temp. (°C):	25
Light Meter:	Digitech QM1586
Error Margin:	10%
To convert lux to fc, divide lux by 10.76	
To convert metres to feet, multiply metres by 3.28	

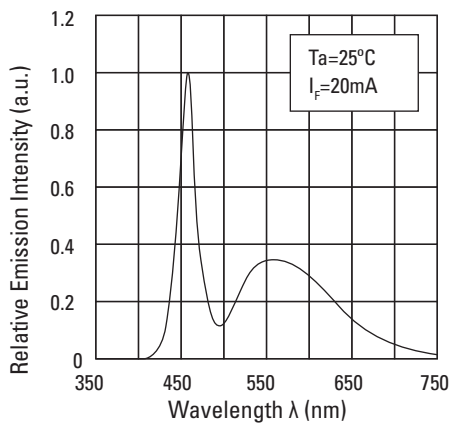
Note: This data is listed for illustration purposes only. Light test was conducted in the dark room, under an ambient temperature of 25°C, with calibrated but non-NATA accredited light meter.

	Lux (centre)	Effectuated Diameter (m)
0.5m	160	1.4
1.0m	53	2.8
1.5m	25	4.2
2.0m	15	5.7
2.5m	10	7.1
3.0m	8	8.5

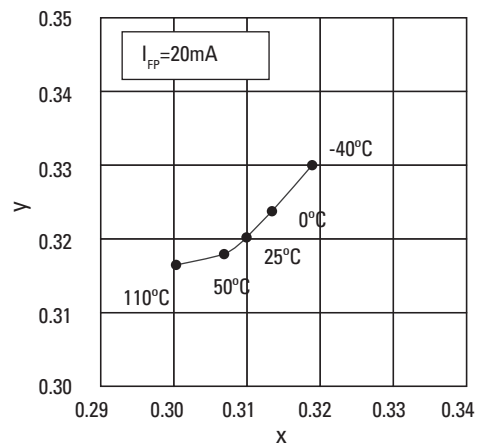
Directivity



Spectrum



Ambient Temperature vs. Chromaticity Coordinate



We are constantly working on improving our products therefore specifications may change in the future. Please contact our marketing department for the latest specifications.

Assembled Strip Standard Lengths

L Code	Overall Length
A	330mm
B	630mm
C	930mm
D	1230mm

Assembled Strip Custom Lengths

Segment Length	End Cap Allowance	Max. Single Extrusion Length
300mm	30mm	3500mm

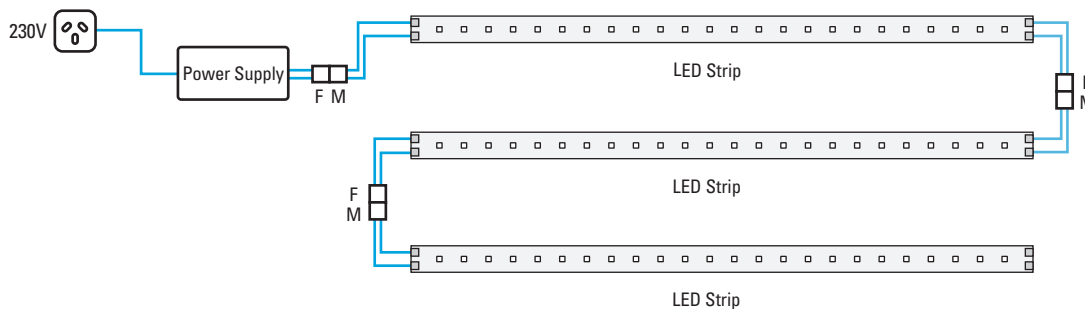
Each length of LED Strip is made up of smaller individual segments. The number of segments can be selected to create the desired LED Strip length.

Segment length x No. of segments + End Cap Allowance

Wiring Diagram

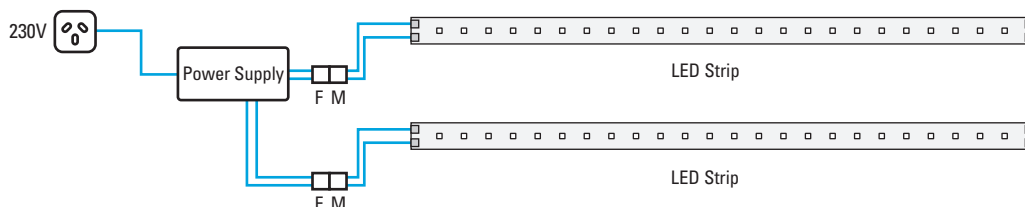
Option 1

For maximum continuous connection length, please refer to specifications.



Option 2

The length is limited by the power of the power supply.



We are constantly working on improving our products therefore specifications may change in the future. Please contact our marketing department for the latest specifications.