

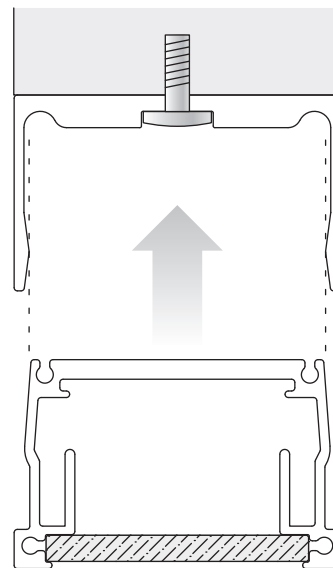
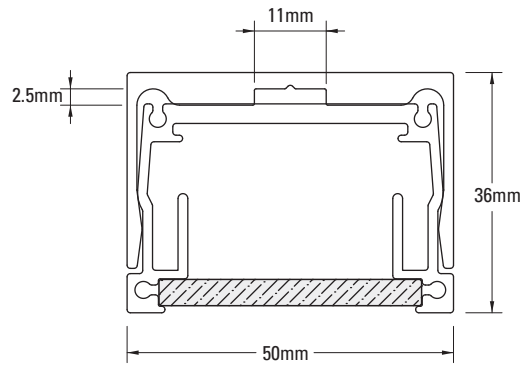
Beam Mounted Linear LED Projector

The Beam Mounted Linear LED Projector is specifically designed to be easily installed directly under a canopy support beam with the assistance of a custom designed mounting profile.

This projector utilizes the latest white LEDs from CREE to provide bright general illumination onto the projected area. A range of optics is available to shape the beam of light to suit each particular application.

Technical Specifications

- Material: Aluminum alloy body
- UV Stable Acrylic/Polycarbonate
- Finishes: Anodising options up to 100 microns, custom finishes possible
- LED source: Top available bin CREE XRE series
- Color: White 5000K (Other CCT's available)
- Colour Rendering: RA 80+
- Projecting distance: $\leq 6-20M$
- Power Rating: Typical 60W per metre (Up to 100W/m)
- LED Luminous Efficacy: 75-80lm/W (average)
- Lumen output: 4500 lumens per metre
- Onboard constant current source
- Smart Thermal Management
- Active circuit re-routing
- Over-voltage protection
- Reverse polarity protection
- Fitted with thermal feedback circuitry to derate the brightness in case of overheating
- Available optics: 8°, 12°, 30°, 8*30°
- IP rating: IP 55 (Higher ratings possible), 64
- All electronic components are sealed off with RTVC optical protective gel.
- Working environment temperature: -20 +50
- Dimming Control: DMX512
- Proudly made in Australia

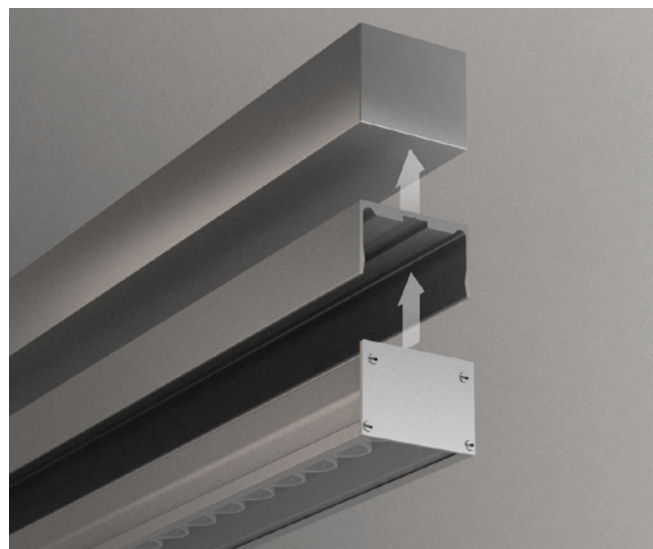


Dimensions

Unit Length: Up to 6500mm

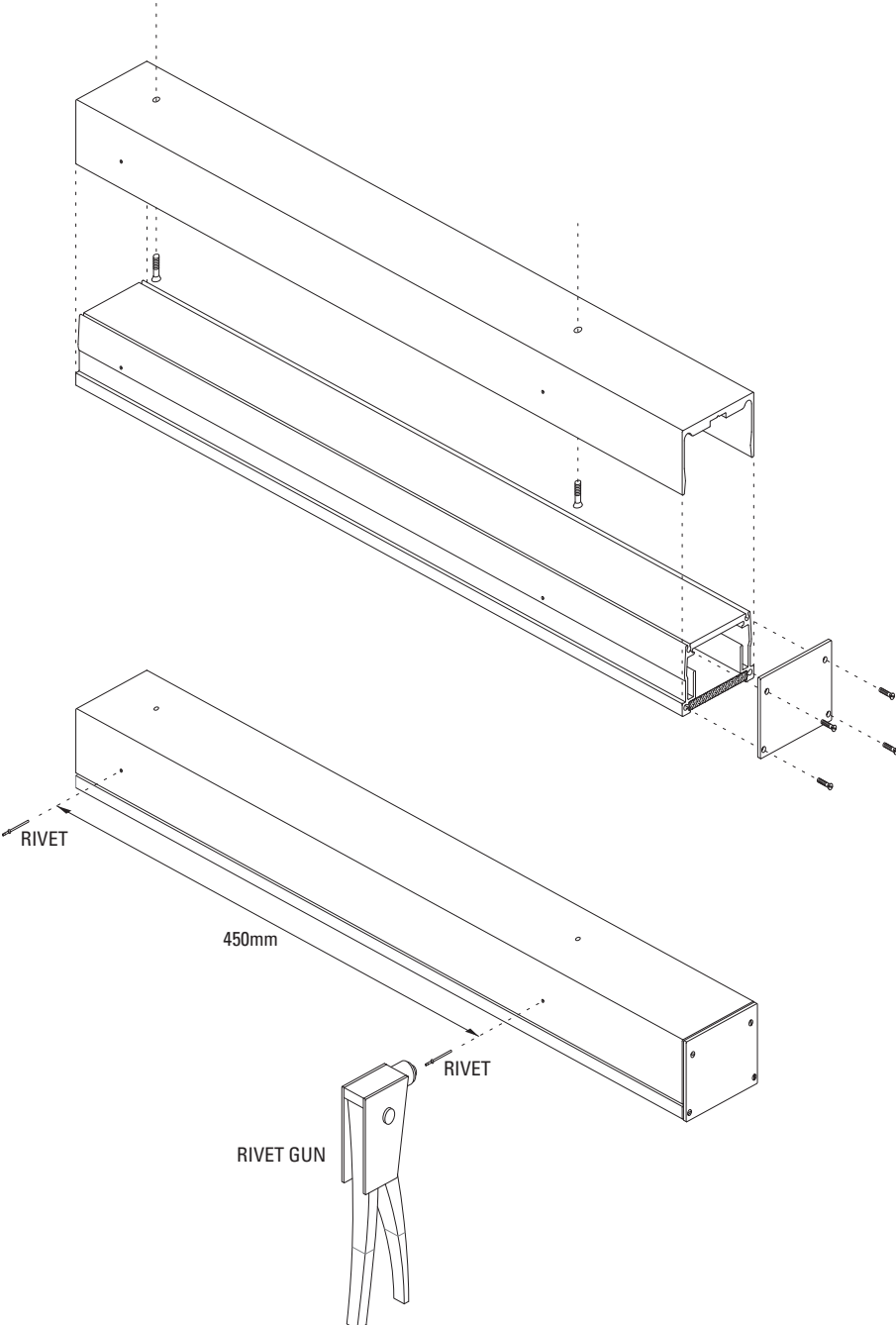
Unit Width: 50mm

Unit Height: 36mm

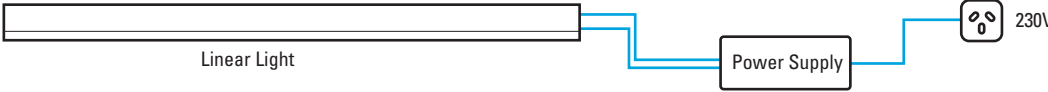


We are constantly working on improving our products therefore specifications may change in the future. Please contact our marketing department for the latest specifications.

Installation Diagram



Wiring Diagram



We are constantly working on improving our products therefore specifications may change in the future. Please contact our marketing department for the latest specifications.