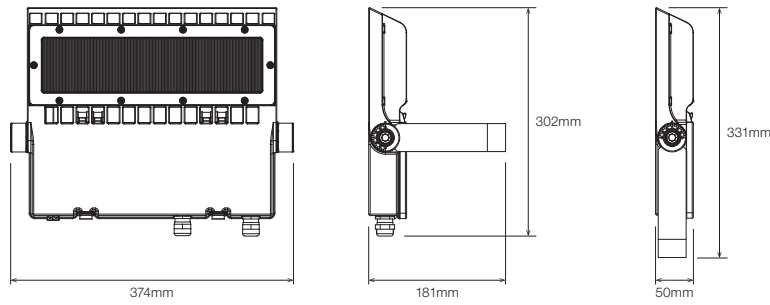


Butch LED Floodlight 150W



Electrical Characteristics

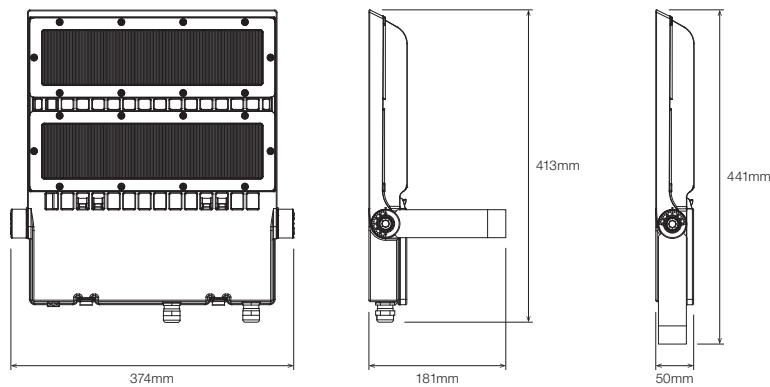
Voltage In
200 – 480VAC 50/60Hz

Power
154W

IP/IK Rating
IP66 / IK09

Operating Temperature
-20 to +50°C

Butch LED Floodlight 240W



Electrical Characteristics

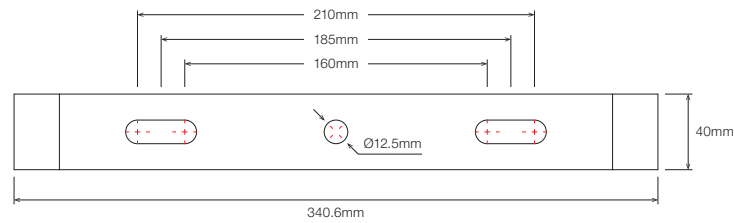
Voltage In
200 – 480VAC 50/60Hz

Power
245W

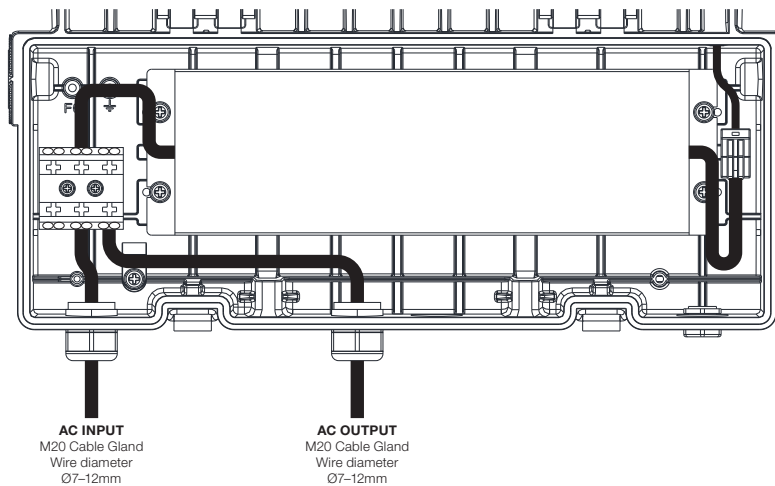
IP/IK Rating
IP66 / IK09

Operating Temperature
-20 to +50°C

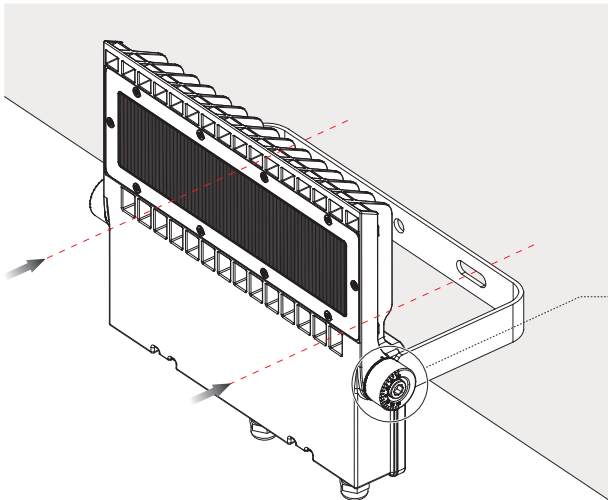
Bracket Footprint



WIRING DIAGRAM

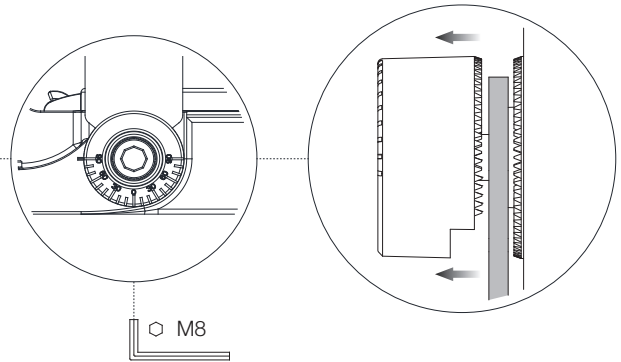


MOUNTING

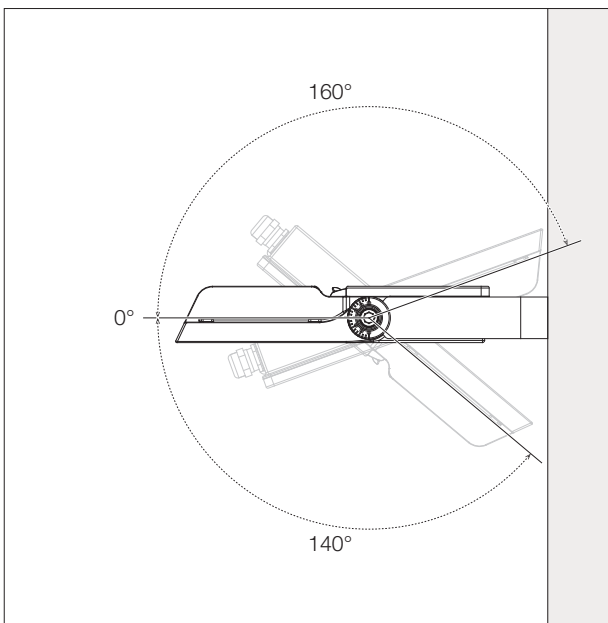


Secure to mounting surface using a minimum of 2x M12 bolts.

⚠ Never turn the bracket before the teeth of the lid are separated completely from the housing.



Butch LED Floodlight 150W



Butch LED Floodlight 240W

