



 COOLON

CP34

140W LED Flood Light

The CP34 is equipped with the most powerful LEDs and provides a balance of power and size. Its robust design enables the CP34 for use in the harshest environments.

Designed and manufactured in Australia using only the highest quality components, the CP34 High Power LED Luminaire is designed specifically for industrial applications where reliability and performance are paramount.

Able to work side by side with people in the harshest of environments and is ideally suited for most situations where bulb maintenance is difficult or impossible.

Every component of the CP34 LED luminaire has been carefully engineered to provide the most reliable performance and bring across many benefits of utilizing solid state lighting technology in industrial applications.

CP34 LED luminaire is rated IP66 and is suitable for both indoor and outdoor use.

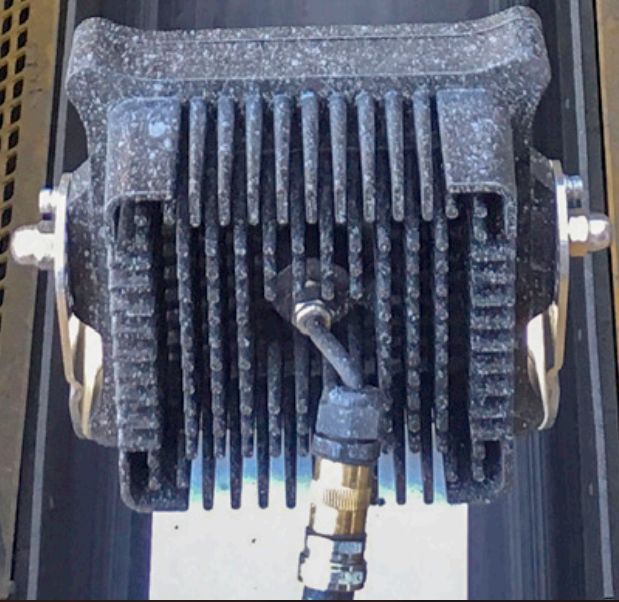
Designed for use in:

- Area Lighting
- Car Parks
- Load In / Out
- Processing Plants
- ROM Pads
- Wash Pads
- Workshops



Raw power for the harshest environments

The CP34 is a 140W LED Flood light designed for the harshest environments and provides unrivaled reliability and performance, critical for demanding applications.



Built to last

Unlike conventional LED floodlights, the CP34 was designed to withstand constant abuse.

- Resistant to Vibration
- Impact and Shock Proof
- High Pressure Washable
- Unaffected by Severe Temperature Variations



COOL SURFACE TEMPERATURE

Coolon's Industrial LED fittings have a much lower surface temperature than traditional HID equivalents which prevents dirt from baking onto the luminaire. This allows for easier cleaning and will prolong the lifespan of the luminaire.



INSTANT ON/OFF

LEDs do not require warm up. Instant on to 100% output translates to no downtime, improved safety and the ability to utilize sensor switching to significantly save energy.



NO FLICKERING

LED luminaires run on constant low voltage DC power and do not produce any visible stroboscopic effects, thus reducing the strain on eyes and significantly improving safety in areas where moving machinery is present.

IP66

HIGH IP RATING - IP66

Coolon's Industrial LEDs are designed specifically to withstand the harsh conditions in mining environments. The robust design allows our LED products to be used in many different applications and are high pressure washable.



UNRESTRICTED BURNING POSITION

Coolon's LED luminaires can be positioned and oriented in any desired way without affecting the lifespan of the product. This gives greater flexibility when it comes to aiming angles and orientation.



EXTRA LOW VOLTAGE OPERATION

Our products operate on extra low voltage DC power. It is substantially safer to work with than conventional mains powered light sources.

3
YEARS

3 YEARS FACTORY WARRANTY

Coolon Luminaires are covered by a solid comprehensible manufacturer's warranty that covers a range of possible defects and performance parameters throughout the duration of the warranty period.

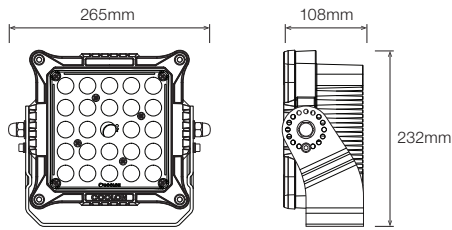


PROUDLY MADE IN AUSTRALIA

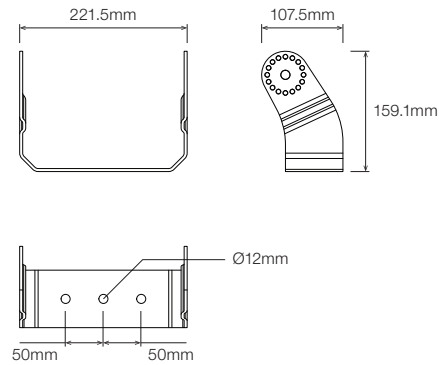
Engineered to perfection, using only the highest quality components and highly skilled labour, each luminaire is assembled and thoroughly tested to ensure that it exceeds the highest standards.

DIMENSIONS

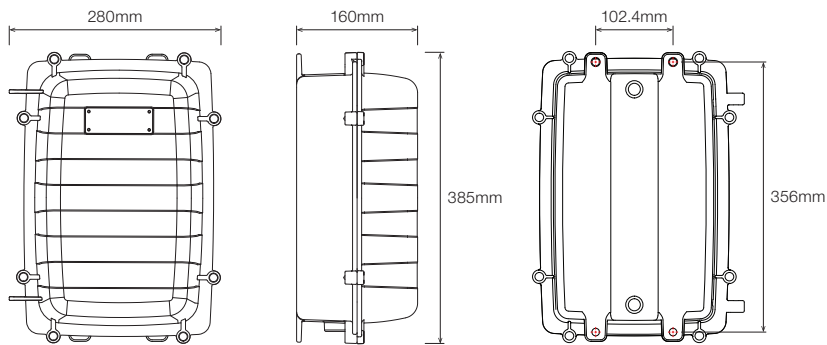
CP34 Luminaire



FPB Fixed Plant Bracket



036AL Aluminium Enclosure



TECHNICAL SPECIFICATIONS

Make/Model	CP34 LED Flood Light
Model	CP34
Optical Characteristics	
Luminous Flux (Photometered)	12,931 – 18,053 lm
Luminous Flux (LED Lumens)	~19,150 lm
CCT	CWT
CRI	> 70
Electrical Characteristics (Luminaire & Power Supply)	
Power Consumption	~139.5W @ 230VAC 145W Start Up
Nominal Voltage	230VAC
Voltage Range	90 – 305VAC / 127 – 431VDC
Frequency Range	47 – 63Hz
Power Factor	>0.95 / 230VAC
AC Current	~1.36A / 115VAC ~0.70A / 230VAC ~0.60A / 277VAC
Leakage Current	<0.75mA / 277VAC
Withstand Voltage	I/P-O/P:3.75KVAC I/P-FG:2KVAC O/P-FG:1.5KVAC
Isolation Resistance	I/P-O/P, I/P-FG, O/P-FG:100M Ohms / 500VDC / 25°C / 70% RH
Cable Gland Diameter	M20
Cable Gland Opening	10 – 14mm

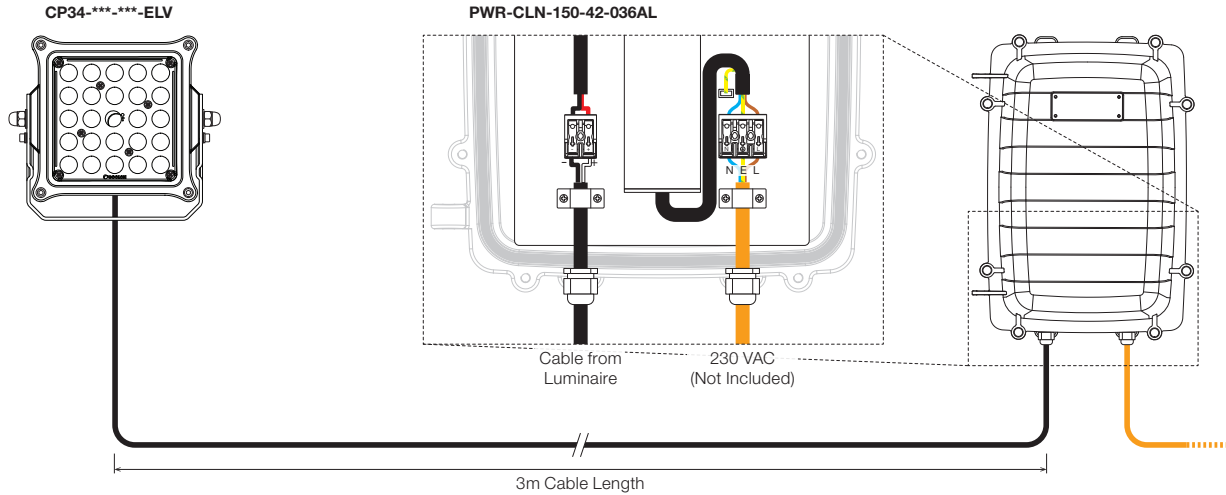
Environmental	
IP Rating	IP66
Impact Rating	IK09
Expected Lifespan	50,000 Hours to 70% Brightness
Operating Temp. Range	-20 to +50°C
Material Composition (Body)	Aluminium Alloy (Anodised and E-Coated)
Material Composition (Bracket)	Stainless Steel 304
Mounting/Bracket Type	Fix Plant Mount

Weight/Packaging (CP34)	
Luminaire Weight	5.1kg
Packaging Dimensions	280 x 280 x 140mm
Packaged Weight	5.5kg

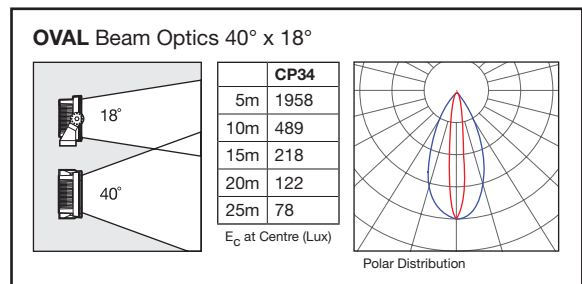
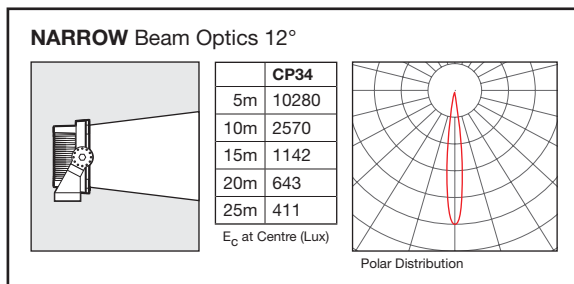
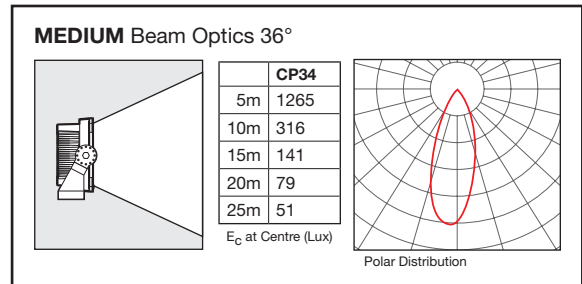
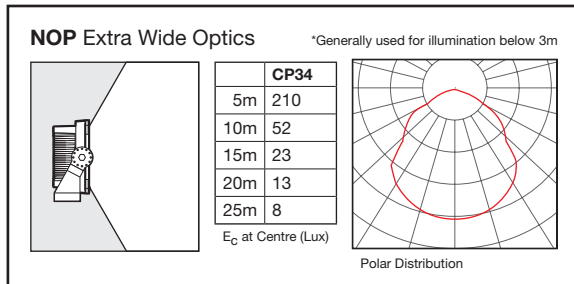
Weight/Packaging (Power Supply)	
Unit Weight	5kg
Packaging Dimensions	400 x 280 x 180mm
Packaged Weight	5.2kg

Warranty	
Warranty	3 years warranty as standard 5 years extended warranty optional

CP34 KIT CONFIGURATION



CP34 ILLUMINANCE AT DISTANCE



ORDERING EXAMPLE

CP34 - CWT - MEDIUM - FPB - WPS

PRODUCT COLOUR TEMP OPTICS MOUNTING SUPPLY OPTION

PRODUCT	COLOUR TEMP	OPTICS	MOUNTING	SUPPLY OPTION
CP34	CWT Cool White	NOP Extra Wide Optics	FPB Fixed Plant Bracket	WPS With Power Supply
		MEDIUM Medium Optics		
		NARROW Narrow Optics		
		OVAL Oval Optics		

ASSOCIATED PRODUCTS

KIT	PART #	DESCRIPTION
WPS	CP34-***-***-ELV	CP34 Luminaire, Extra Low Voltage
	PWR-CLN-150-42-036AL	Coolon Industrial Power Supply 150W IP66, 42VDC in 00036 Aluminium Enclosure