



 COOLON

BUTCH LED FLOODLIGHT

150W/240W LED Floodlight

The most versatile, high-performing, and easy to install floodlight designed with the user in mind across a variety of applications.

The Butch has been carefully engineered as a direct result of feedback from maintenance crews around Australia to achieve ease of install combined with a robust and virtually indestructible luminaire.

Designed for use in:

- Area Lighting
- Billboards
- Drag Lines
- Exterior Walls
- Flood Lighting
- Playgrounds
- Security Lighting
- Sports Grounds
- Stadiums
- Switching Lines
- Tennis Courts
- Workshops



Multi-purpose floodlight for the harshest environments

The Butch LED Luminaire is designed specifically for industrial applications where reliability and performance are paramount. It is ideally suited for most situations where bulb maintenance is difficult or impossible.

Built to last

Unlike conventional LED floodlights, the Butch LED luminaire was designed to withstand constant abuse.

- Resistant to Vibration
- Impact / Shock Proof
- Chemical Resistant
- High Pressure Washable
- Unaffected by Severe Temperature Variations

COOL SURFACE TEMPERATURE



Coolon's Industrial LED fittings have a much lower surface temperature than traditional HID equivalents which prevents dirt from baking onto the luminaire. This allows for easier cleaning and will prolong the lifespan of the luminaire.

NO FLICKERING



LED luminaires run on constant low voltage DC power and do not produce any visible stroboscopic effects, thus reducing the strain on eyes and significantly improving safety in areas where moving machinery is present.

LOW SUSCEPTIBILITY TO VIBRATION



This luminaire is designed to handle continuous exposure to vibration. A typically critical issue affecting the life and operation of most common gas discharge lamp based light sources is mechanical shock and vibration.

3 YEARS FACTORY WARRANTY

3
YEARS

Coolon Luminaires are covered by a solid comprehensible manufacturer's warranty that covers a range of possible defects and performance parameters throughout the duration of the warranty period.

INSTANT ON/OFF



LEDs do not require warm up. Instant on to 100% output translates to no downtime, improved safety and the ability to utilize sensor switching to significantly save energy.

HIGH IP RATING - IP66

IP66

Coolon's Industrial LEDs are designed specifically to withstand the harsh conditions in mining environments. The robust design allows our LED products to be used in many different applications and are high pressure washable.

LONG USEFUL OPERATING LIFE

L70

Currently available specification from world's most reputable LED manufacturers states 50,000 hours of continuous operation at the rated current within the operating temperature range to 70% residual light output.

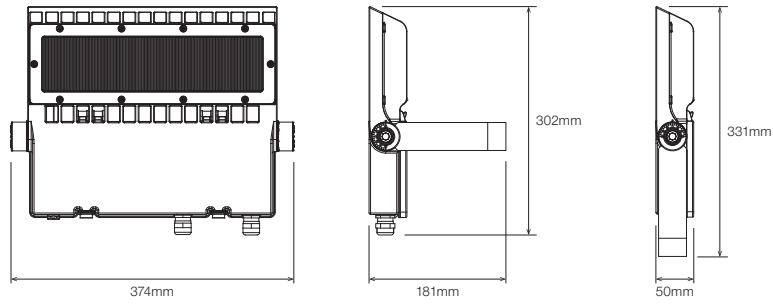
DESIGNED AND BUILT FOR AUSTRALIAN CONDITIONS



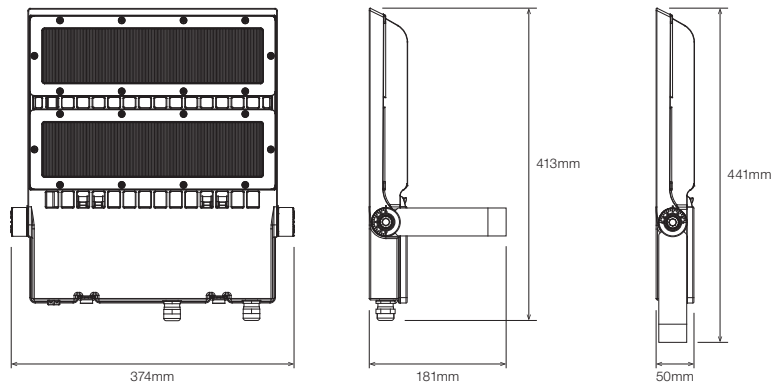
Engineered to perfection, using only the highest quality components and highly skilled labour, each luminaire is assembled and thoroughly tested to ensure that it exceeds the highest standards.

DIMENSIONS

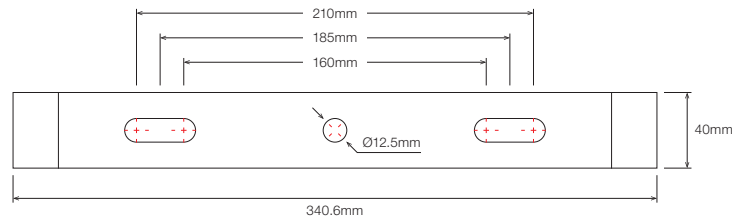
Butch LED Floodlight - 150W



Butch LED Floodlight - 240W



Bracket Footprint



TECHNICAL SPECIFICATIONS

Product	150W	240W
Model	Butch LED Floodlight	
Optical Characteristics		
Luminous Flux (Photometered)	19,061 – 20,496	30,497 – 32,794
CCT	CWT 5700K – 6800K NWT 4000K WWT 2700K – 3000K	
CRI	>70	
Electrical Characteristics (Luminaire)		
Power Consumption	154W Typical	245W Typical
Nominal Voltage	230VAC	
Voltage Range	180 – 528VAC, 254 – 747VDC	
Frequency Range	50 – 60Hz	
Power Factor	≥0.98 / 230VAC @ full load	
Leakage Current	<0.75mA / 480VAC	

Environmental	
IP Rating	IP66
Impact Rating	IK09
Salt Spray Tested	Yes
Operating Temp. Range	-20 to 50°C
Thermal Management Type	Active/Continuous
Expected Lifespan	50,000 Hours to 70% Brightness
Material Composition (Body)	LM6 Aluminium Alloy
Material Composition (Optics)	Polycarbonate
Material Composition (Cover)	Polycarbonate
Cable Entry Options	2x M20
Cable Diameter	7 – 12mm

Weight/Packaging	150W	240W
Luminaire Weight	4.6kg	6.4kg
Packaging Dimensions	W 435mm H 370mm D 76mm	W 500mm H 415mm D 76mm
Packaged Weight	5.2kg	6.9kg

Warranty	
Warranty	3 years warranty as standard 5 years extended warranty optional

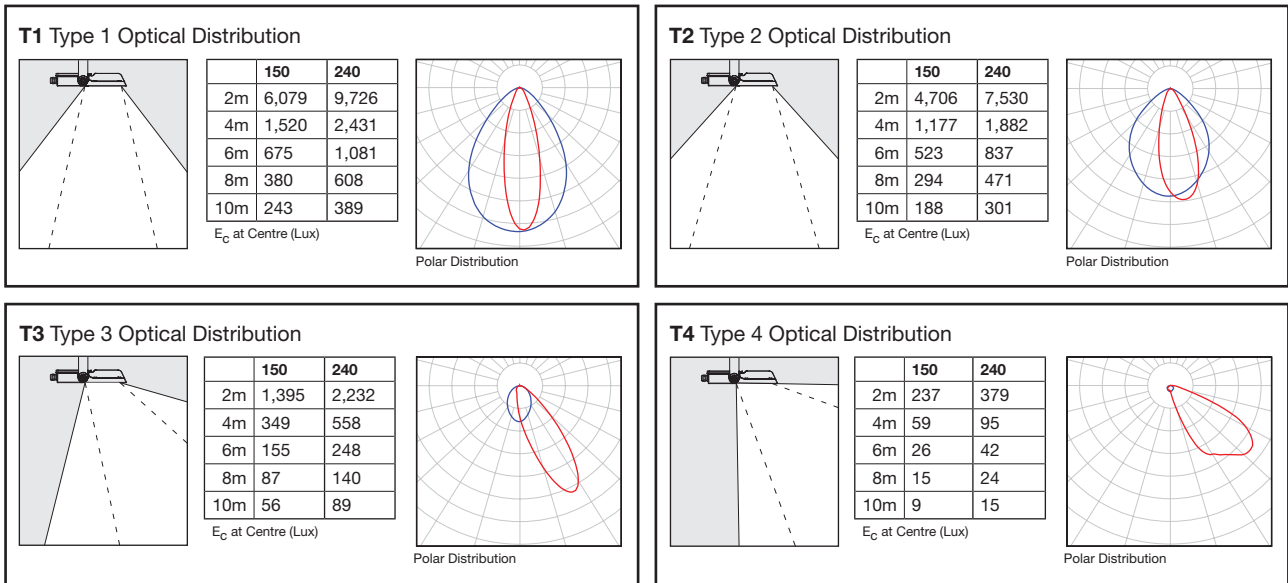
NOTE: Optical and electrical characteristics are measured using Cool White LEDs (CWT)

COLOUR TEMPERATURES



All colour temperatures are indicative. Some variation can occur.

ILLUMINANCE AT DISTANCE



ORDERING EXAMPLE

BLF - 240 - NWT - T3 - MP

PRODUCT TYPE COLOUR TEMPERATURE BEAM SUPPLY OPTION

PRODUCT	TYPE	COLOUR TEMPERATURE	BEAM	SUPPLY OPTION
BLF Butch LED Floodlight	150 150W	NWT Neutral White	T1 Type 1 Optical Distribution	MP Mains Powered
	240 240W	CWT Cool White	T2 Type 2 Optical Distribution	
		WWT Warm White	T3 Type 3 Optical Distribution	
			T4 Type 4 Optical Distribution	