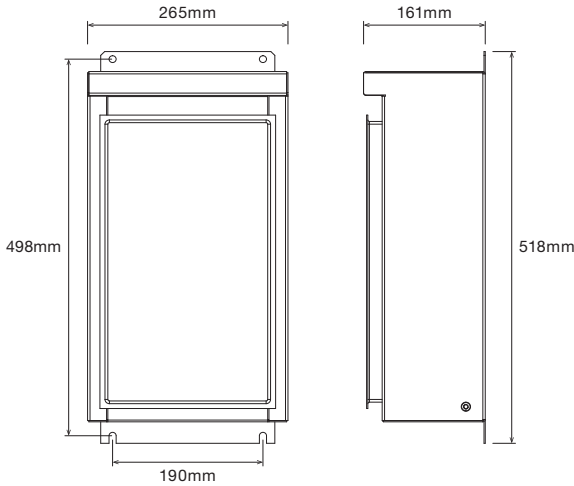


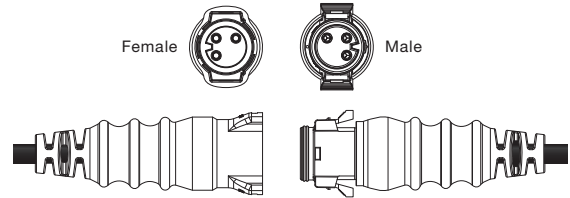
**KIT:**  
DC2-20-CWT-24-LQCBS-4.5

**ATTENTION**  
Cable entry end must have minimum 40mm of free space away from the luminaire to ensure sufficient room for cable placement.

**1x Power Supply (PWR-CLN-240-24-093SS)**



**LQC Connectors**



**Electrical Characteristics**

Luminaire	DC2
Power Consumption	21.5W Typical
Voltage Range	23 – 50VDC
Cable Diameter	7.5mm
Cable Length	4.5 Metres

**Power Supply PWR-CLN-240-24-093SS**

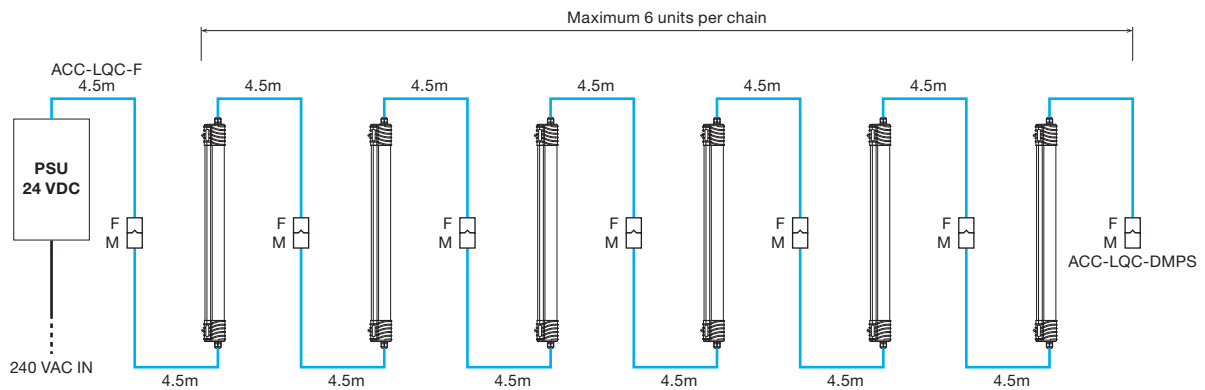
Voltage In	90 – 305VAC, 127 – 431VDC
Frequency Range	47 – 63Hz
Output Power	240W
IP Rating	IP66

**1x Cable Loom + Female Connector (ACC-LQC-F)**

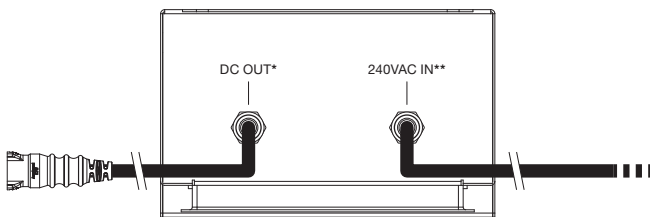
**1x Termination Connector (ACC-LQC-DMPS)**

**INSTALLATION INSTRUCTIONS**

**DC2 Wiring Diagram**



**Terminal Configuration**



\*Cable packed separately

\*\*Cable not supplied

