



Architectural P17 Reinforced Strip Profile.

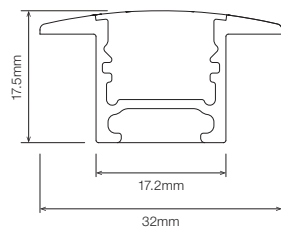
▪ PART NUMBER

P17R
Reinforced P17 Profile

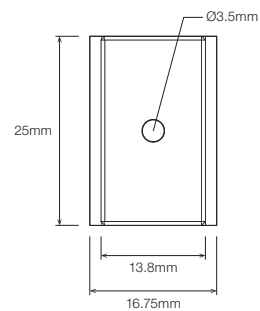
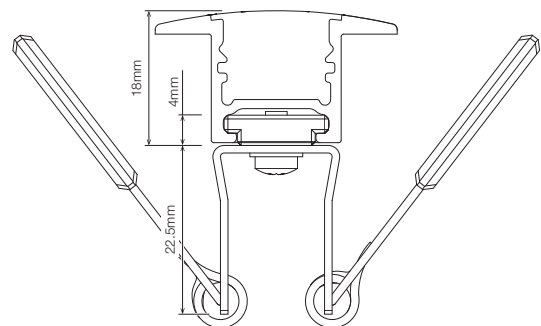
▪ DIMENSIONS

PROFILE

Available in Clear and Diffused



WITH MOUNTING CLIP



■ DIMENSIONS

(Continued)

RECOMMENDED REBATE

