



NJZ HazLoc LED Luminaire Defender Series



1. UL 844 Listed for Hazardous Area Lights
Class I Division 1, Group C, D
Class I Division 2, Group A, B, C, D
Class II Division 2, Group F, G
Class III
UL 1598A Marine
DLC premium
2. AC100-277V, AC347-480V, 50/60HZ
3. Excellent lighting efficacy, up to 130 lumens per Watt (130lm/W)
4. Heavy duty copper-free aluminum housing
5. Mounting: ceiling type, wall type, floor type

NJZ-FEL-C



The new Defender Series LED explosion proof light with UL844 approval delivers up to 19,500 lumens making it perfect for a number of applications in hazardous locations.

The cast aluminum body and LED lamp give this light excellent durability and good performance in withstanding vibration and shock .



Front of the Light



Side of the Light



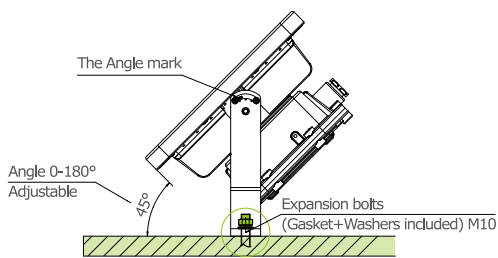
Back of the Light

Parameter

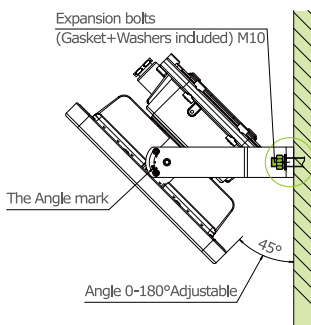
Specification	NJZ-FEL-C-080	NJZ-FEL-C-100	NJZ-FEL-C-150
Rated Power	80W	100W	150W
Input Voltage	AC100-277V, AC347-480V		
Power Frequency	50/60Hz		
Power Factor	> 0.95		
Luminous Flux	10400LM	13000LM	19500LM
CCT	4500K/5000K		
CRI	Ra>70		
Beam Angle	20°/ 60°/120°		
Operating Temperature	-40°C~+60°C		
IP Rating	IP66		
IK Rating	IK08		

Mounting options

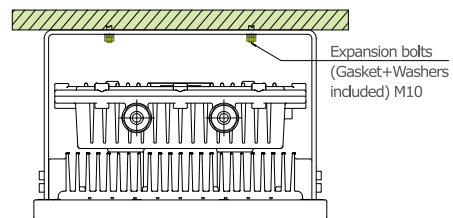
• Floor Type



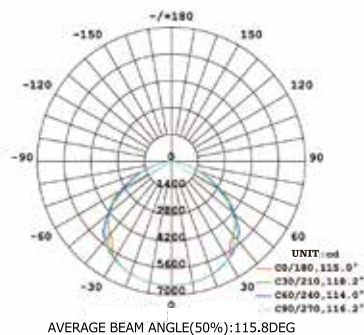
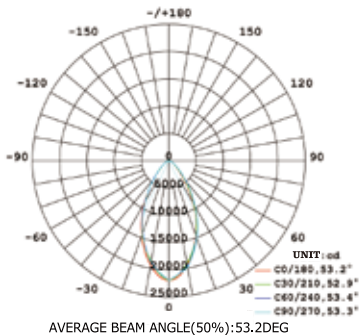
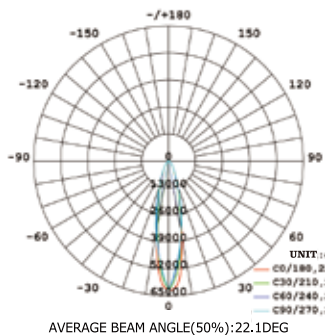
• Wall Type



• Ceiling Type



Photometrics



Address: No.58 Hengguang Road, Nanjing Economic Technological Development Zone, Nanjing, CHINA
 Tel: +86-25-52397600-ext8816
 Email: inquiry@njztech.com
 Web: www.njzlighting.com