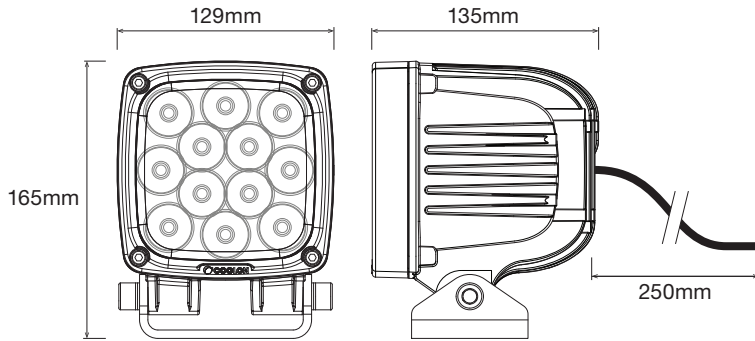
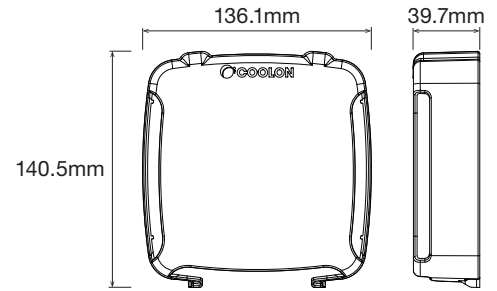


CP12 Luminaire with Standard Bracket



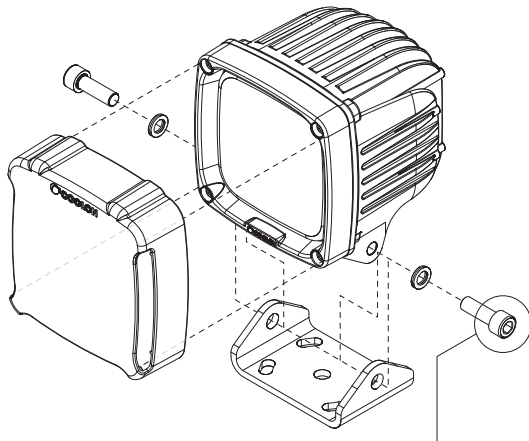
Optional Clip-on Cover ACC-CP12-COVER (available separately)



INSTALLATION INSTRUCTIONS

Step 1

Adjust the mounting angle and secure the CP12 lamp to the mounting bracket using the Norlock Washers and M10 hex screws.



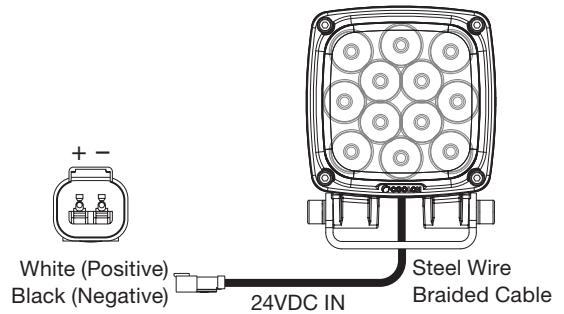
Recommended Torque 37 Nm
Max Torque 48 Nm



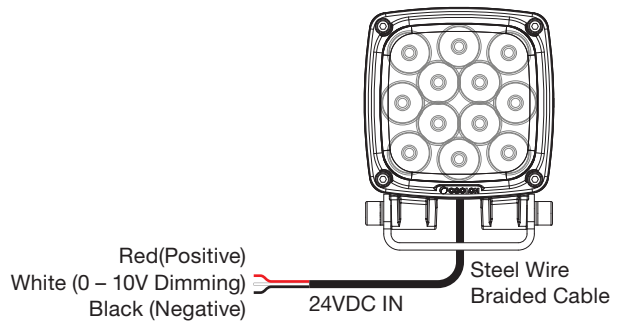
Visit the following link or scan the QR code for a quick demonstration showing the removal and installation of the clip-on cover: goo.gl/OZvYjc

WIRING

CP12-ELV



CP12-DIM



⚠ ATTENTION:

Unit must not be operated with the clip-on cover and optical face blocked or obstructed.

The clip-on cover and other optical surfaces are to be kept clean for optimal light output and to prevent damage to the integral optics and cover.

Replace the clip-on cover if it is damaged or cannot be cleaned. Damage to the fitting due to operation with an obstructed optical face will not be covered by warranty.