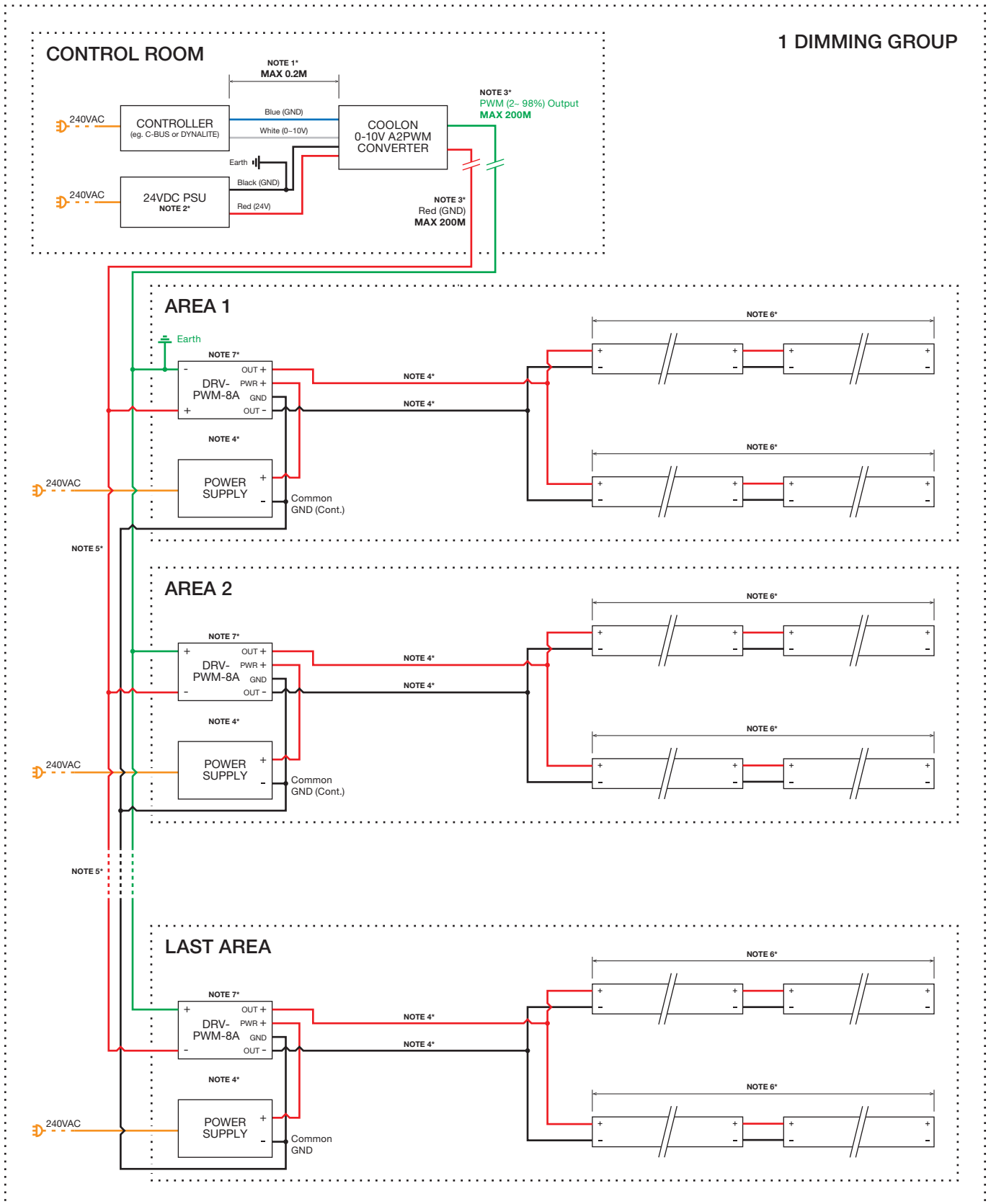


Typical A2PWM with DRV-PWM-8A Wiring Diagram for Coolon Product: Multo, Multo X2, Slim, Aris UG, Max Mini UG.
SCENARIO 1 - Maximum 100m of LED strip



- NOTE 1** Do not exceed maximum length of 0.2m (20cm) from Controller.
 - NOTE 2** 24VDC required to operate the converters.
 - NOTE 3** Do not exceed maximum length of 200m from Coolon A2PWM Converters to first LED Strips.
 - NOTE 4** Distance from PSU to DRV-PWM-8A and distance from DRV-PWM-8A to LED Strip **MUST NOT EXCEED** 4m.
 - NOTE 5** **AWG16 - AWG18** wire only for Common GND. All Power Supply Units **MUST** have Common GND connected throughout same dimming group. **NO** connections of positive terminals. Maximum cable length of **100m** from AREA 1 to LAST AREA.
 - NOTE 6** Do not exceed maximum single run of each product. Check individual product specification sheets for run length.
 - NOTE 7** Load current for DRV-PWM-8A **MUST NOT EXCEED** 9A.
- For questions or additional information, please contact Coolon at 1300 287 533